

# ONE-PIECE HOSE FITTING INSTALLATION

**HAYES**

## HAYES DISC BRAKE

5800 W Donges Bay Rd  
Mequon, WI 53092

hayesdiscbrake.com

888.686.3472

Support: [hayesdiscbrake.com/support](https://www.hayesdiscbrake.com/support)

# HAYES PERFORMANCE SYSTEMS WARRANTY

### Limited Warranty:

HAYES warrants its products to be free from defects in materials or workmanship under normal intended use for a period of one year (two years in European Union countries) from the date of purchase, subject to normal wear and tear. Unless otherwise prohibited by law, any such defective products will be repaired or replaced at the option of HAYES when received with proof of purchase, freight prepaid. This warranty does not cover breakage, bending, or damage that may result from crashes or falls. This warranty does not cover any defects or damage caused by alterations or modifications of HAYES products or by normal wear, accidents, improper maintenance, damages caused by the use of HAYES products with parts of different manufacturers, improper use or abuse of the product, application or uses other than those set forth in the HAYES instruction manual or failure to follow the instructions contained in the applicable HAYES instruction manual. Instruction manuals can be found on-line at [www.https://hayesbicycle.zendesk.com/hc/en-us](https://www.hayesbicycle.zendesk.com/hc/en-us). Any modifications made by the BUYER or any subsequent user will render the warranty null and void. This warranty does not apply when the serial number or production code has been deliberately altered, defaced or removed from the product. The cost of normal maintenance or replacement of service items, which are not defective, shall be the BUYER's responsibility. If permitted by local law, this warranty is expressly in lieu of all other warranties (except as to title), express or implied, and in particular and without limitation HAYES disclaims the implied warranties of merchantability or fitness for purpose. If for any reason warranty work is necessary, return the component to the place of purchase or contact your dealer or local HAYES distributor. In the USA, contact HAYES for a return authorization number (RA#) at (888) 686-3472 or [techsupport@hayesbicycle.com](mailto:techsupport@hayesbicycle.com). In Canada, Manitou service and warranty is available through Smithtech [ (778) 987-6827 or [manitouzac@gmail.com](mailto:manitouzac@gmail.com)] or S4 Suspension [ (450) 504-1148 or [myriam@s4suspension.com](mailto:myriam@s4suspension.com)]. In Europe, HAYES can be reached directly at +49 89 203237450 or [techsupporteu@hayesbicycle.com](mailto:techsupporteu@hayesbicycle.com). European customers can also contact their dealer or local HAYES distributor. Customers in countries not listed should contact their local HAYES dealer or distributor.

### Limitation of Liability.

Unless required by mandatory law, HAYES shall not be liable for any incidental, indirect, special or consequential damages. This warranty does not apply to normal wear and tear. Wear and tear parts are subject to damage through normal use, failure to service according to recommendations or riding in conditions other than recommended. The cost of normal maintenance or replacement of service items, which are not defective, shall be paid for by the original purchaser. Wear and tear parts that will not be replaced under warranty include but are not limited to the following:

Bushings	Dust Seals	Stripped or Worn Bolts
Rear Shock Mount Hardware	Air Seals and/or O-rings	Remote Lockout Cable
Handlebar grips	Upper Stanchion Tubes	Lower Stanchion Tubes (Dorado)
Tubeless Valves	Tubeless Tape	Pads
Rotors	Bearings	Gloves

HAYES

manitou

PROTAPER

REYNOLDS

SUN  
ringle

WHEELSMITH  
W  
SPOKES

HAYES  
PERFORMANCE SYSTEMS

HAYES

manitou

PROTAPER

REYNOLDS

SUN  
ringle

WHEELSMITH  
W  
SPOKES

ONE-PIECE HOSE FITTING INSTALLATION

# INTRODUCTION

This manual is intended to provide the information necessary for installing Hayes one-piece hose fitting.

## ⚠ WARNING ⚠

We highly recommend that service to this brake be performed by a certified bicycle mechanic. Failure to follow instructions presented in this manual could lead to serious injury or death. Any questions about the servicing of this brake or the manual itself should be directed to Hayes Customer Support at:

<b>Hayes Bicycle USA</b>	5800 W Donges Bay Road Mequon WI 53092
	Phone: 888.686.3472
	Email: techsupport@hayesbicycle.com
	Support: hayesbicycle.zendesk.com/hc/en-us

<b>Hayes Bicycle Europe</b>	Dirnismaning 20 a 85748 Garching (b. Munich) Germany
	Phone: +49 89 203237450
	Email: techsupportEU@hayesbicycle.com

<b>Hayes Bicycle Asia</b>	16F, No. 37, Sec. 3 Mincyuan E. Rd. Zhongshan District Taipei City 10476 Taiwan ROC
	Phone: 886-2-2518-1108

# SAFETY INFORMATION

As a serious rider you are well aware of the need to practice safety in all aspects of the sport. This includes service and maintenance practices as well as riding practices. Before each ride, always check your brakes for proper function and the brake pads for wear. When you ride, always wear a helmet.

## ⚠ WARNING ⚠

When you need to install any of the disc brake components, that installation work should be done by a qualified technician with the proper tools. Improper installation could cause severe or fatal injuries.

## ⚠ WARNING ⚠

This brake has been designed for use on a single person mountain bike. The use on any other vehicle or device will void the warranty and can cause serious injury.

## ⚠ WARNING ⚠

With use, disc brake components may become very hot. Always allow components to cool before attempting to service your bike.

## ⚠ WARNING ⚠

When following any of the procedures below, be sure to keep your hands and fingers from getting caught in the disc. Failure to do so could result in injury.

## ⚠ WARNING ⚠

Do not adjust the caliper while the wheel is spinning.

## ⚠ WARNING ⚠

Do not adjust the caliper while the caliper is hot.

## ⚠ WARNING ⚠

If your bike is involved in a fall or crash it is recommended your brakes are checked by a qualified mechanic before riding to ensure they are functioning properly. The following checks should be performed: Check that all components are securely mounted to the handlebar, frame, fork, or wheel; check for proper pad installation and retention; check that the brake builds and holds pressure; check hose and fittings for kinks or leaks; check master cylinder body and caliper for damage. Always have a qualified bike mechanic check your brakes if you suspect damage.

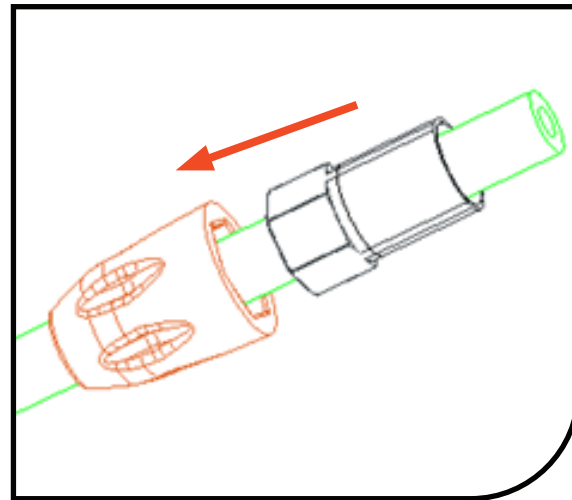
## ⚠ WARNING ⚠

The Hayes Dominion brake system uses DOT 5.1 fluid. Any spilled on the brake assembly, bike or otherwise should be cleaned up with isopropyl alcohol. The brake rotor and pads should only be cleaned with isopropyl alcohol (not disc brake cleaner).

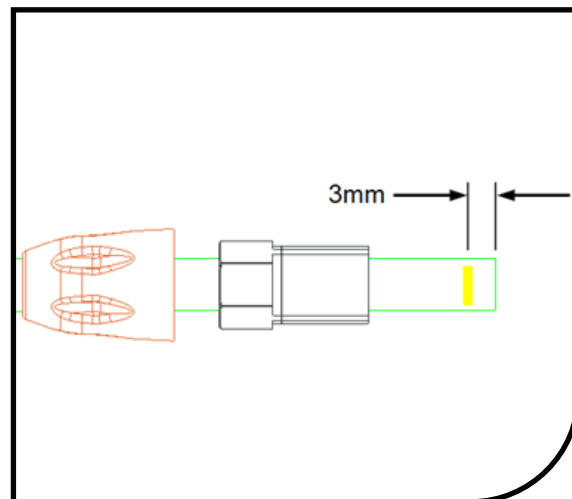
# ONE-PIECE HOSE FITTING INSTALLATION

**1** Ensure the hose end has been cut smooth and square using a Jagwire Pro Hydraulic Hose Cutter or similar tool. If an internal routing tool has been used make sure the section of hose contacting the tool has been removed.

**2** Install the nose cone and compression nut onto the hose. Isopropyl alcohol can be used for easier installation.

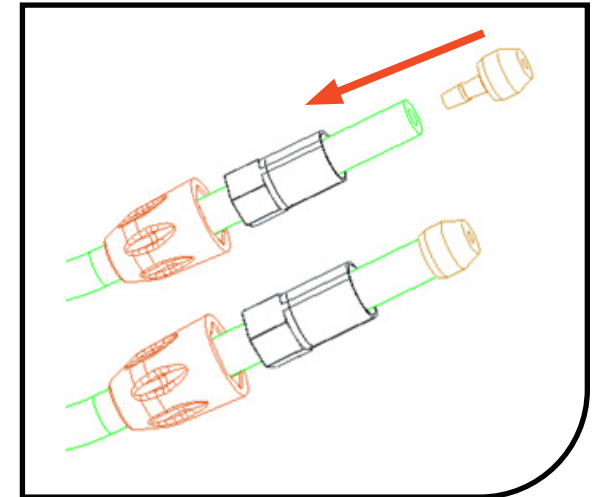


**3** Mark a line on the hose 3mm from the end.

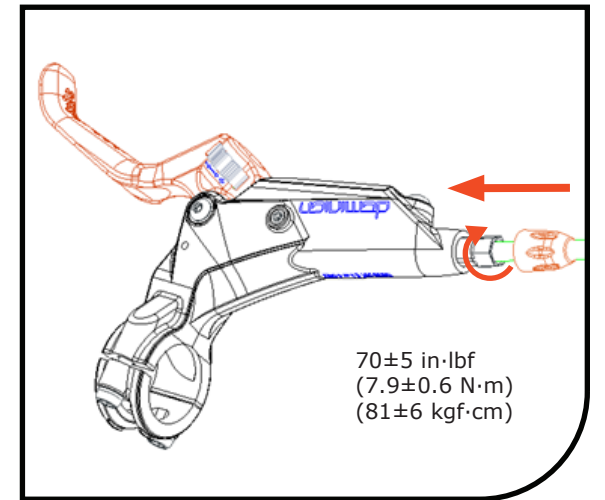


# ONE-PIECE HOSE FITTING INSTALLATION

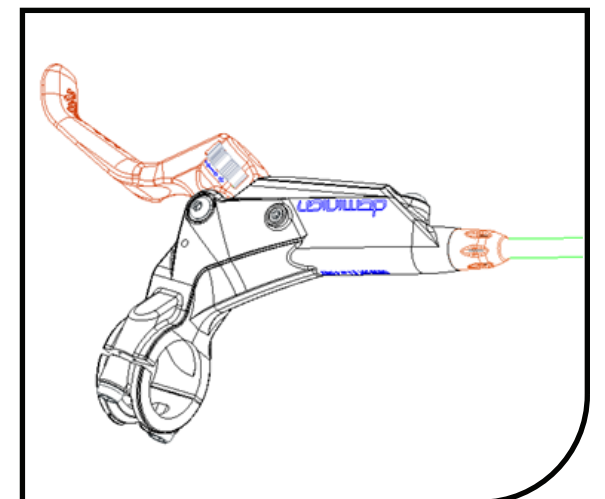
**4** Install the one-piece hose fitting into the hose until end of the olive portion is flush with the 3mm line using a Jagwire Needle Driver or similar tool.



**5** Insert the hose into the master cylinder. Using an 8mm crowfoot flare nut wrench torque the compression nut to 70±5 in·lbf (7.9±0.6 N·m, 81±6 kgf·cm).



**6** Bleed the brake (see bleed instructions) and clean with isopropyl alcohol, then slide the nose cone down to cover the compression nut.



## GLOBAL HEADQUARTERS & HAYES BICYCLE GROUP USA

5800 W. Donges Bay Rd.  
Mequon, WI 53092

## HAYES BICYCLE GROUP EU

Dirnismaning 20 a  
85748 Garching (b. Munich)  
Germany

## HAYES BICYCLE GROUP ASIA

16F, No. 37, Sec. 3  
Mincyuan E. Rd.  
Zhongshan District

[facebook.com/HayesBrakes](https://facebook.com/HayesBrakes)



[instagram.com/HayesBrakes](https://instagram.com/HayesBrakes)



*#PowerPerfected*

HAYES

*M*  
manitou

PROTAPER

REYNOLDS

SUN  
ringlé

WHEELSMITH  
W  
SPOKES

HAYESBICYCLE.COM

HAYES  
PERFORMANCE SYSTEMS