



**PRO & COMP  
TRAVEL CHANGE GUIDE**

# HAYES

PERFORMANCE SYSTEMS



Hayes Performance Systems  
5800 W. Donges Bay Rd.  
Mequon, WI 53092


Tel: 888.686.3472  
Email: [techsupport@hayesbicycle.com](mailto:techsupport@hayesbicycle.com)  
Web: [www.hayescomponents.com](http://www.hayescomponents.com)


Hayes Components Europe  
Dirnismaning 20 a  
85748 Garching (b. Munich)  
Germany  
ph: +49 (0)89 203237450

Email: [techsupportEU@hayesbicycle.com](mailto:techsupportEU@hayesbicycle.com)  
Web: [www.hayescomponents.com](http://www.hayescomponents.com)

# INTRODUCTION

This manual is intended to guide the user through the steps necessary to change travel on the Mastodon Pro & Comp suspension forks.

 **WARNING** We highly recommend that service to this fork be performed by a certified bicycle mechanic. Failure to follow instructions presented in this manual could lead to serious injury or death. Any questions about the servicing of this fork or the manual itself should be directed to Manitou Customer Support at:  
**Phone: 888-686-3472**  
**Email: [techsupport@hayesbicycle.com](mailto:techsupport@hayesbicycle.com)**

 **WARNING** Suspension forks by design can contain preloaded springs, gases and fluids under extreme pressures. Warnings contained in this manual must be observed to avoid damage to fork, serious injury or even death.

# HAYES PERFORMANCE SYSTEMS WARRANTY

## **Limited Warranty:**

HAYES warrants its products to be free from defects in materials or workmanship under normal intended use for a period of one year (two years in European Union countries) from the date of purchase, subject to normal wear and tear. Unless otherwise prohibited by law, any such defective products will be repaired or replaced at the option of HAYES when received with proof of purchase, freight prepaid. This warranty does not cover breakage, bending, or damage that may result from crashes or falls. This warranty does not cover any defects or damage caused by alterations or modifications of HAYES products or by normal wear, accidents, improper maintenance, damages caused by the use of HAYES products with parts of different manufacturers, improper use or abuse of the product, application or uses other than those set forth in the HAYES instruction manual or failure to follow the instructions contained in the applicable HAYES instruction manual. Instruction manuals can be found on-line at [www.hayescomponents.com](http://www.hayescomponents.com). Any modifications made by the BUYER or any subsequent user will render the warranty null and void. This warranty does not apply when the serial number or production code has been deliberately altered, defaced or removed from the product. The cost of normal maintenance or replacement of service items, which are not defective, shall be the BUYER's responsibility. If permitted by local law, this warranty is expressly in lieu of all other warranties (except as to title), express or implied, and in particular and without limitation HAYES disclaims the implied warranties of merchantability or fitness for purpose. If for any reason warranty work is necessary, return the component to the place of purchase or contact your dealer or local HAYES distributor. In the USA, contact HAYES for a return authorization number (RA#) at (888) 686-3472. At that time, instructions for repair, return, or replacement shall be given. Customers in countries other than the USA should contact their dealer or local HAYES distributor.

## **Limitation of Liability.**

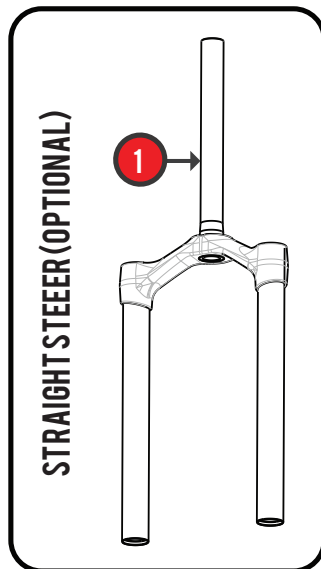
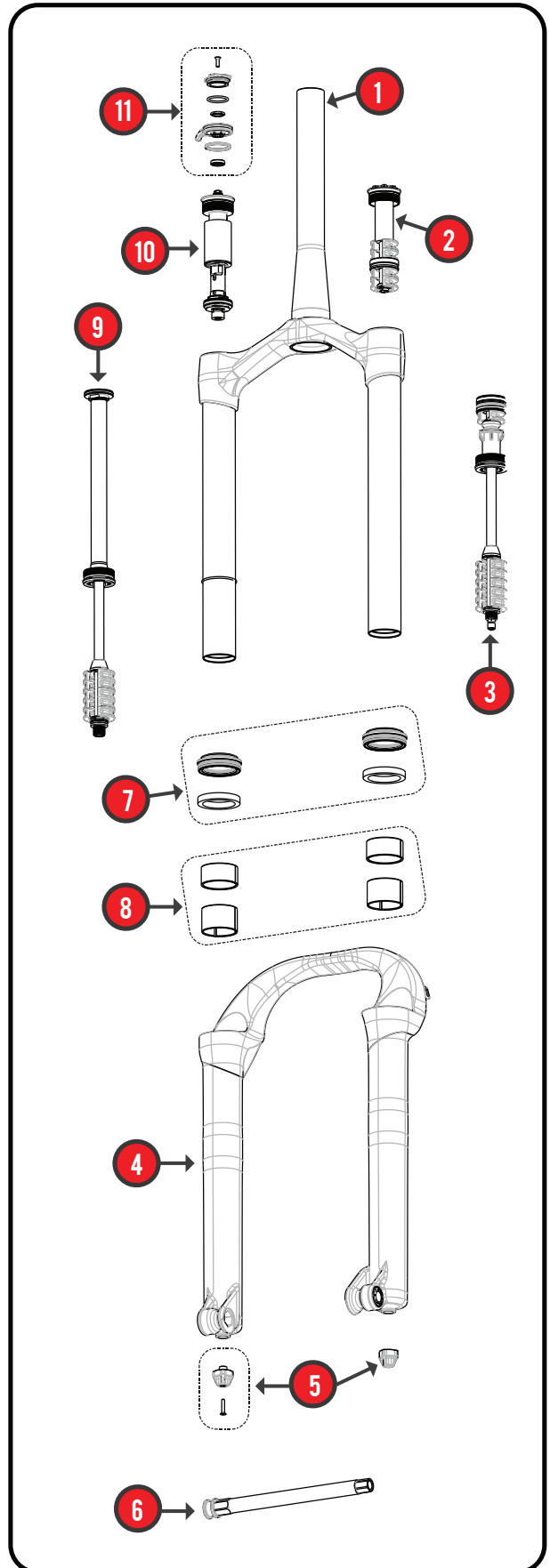
Unless required by mandatory law, HAYES shall not be liable for any incidental, indirect, special or consequential damages.

This warranty does not apply to normal wear and tear. Wear and tear parts are subject to damage through normal use, failure to service according to recommendations or riding in conditions other than recommended. The cost of normal maintenance or replacement of service items, which are not defective, shall be paid for by the original purchaser. Wear and tear parts that will not be replaced under warranty include but are not limited to the following:

- Bushings
- Rear Shock
- Mount Hardware
- Handlebar grips
- Tubeless Valves
- Dust Seals
- Fork and Shock air
Seals and/or O-rings- Bearings
- Upper Stanchion Tubes
- Stripped or worn bolts
- Remote Lockout Cable
- Gloves
- Lower Stanchion
Tubes(Dorado)

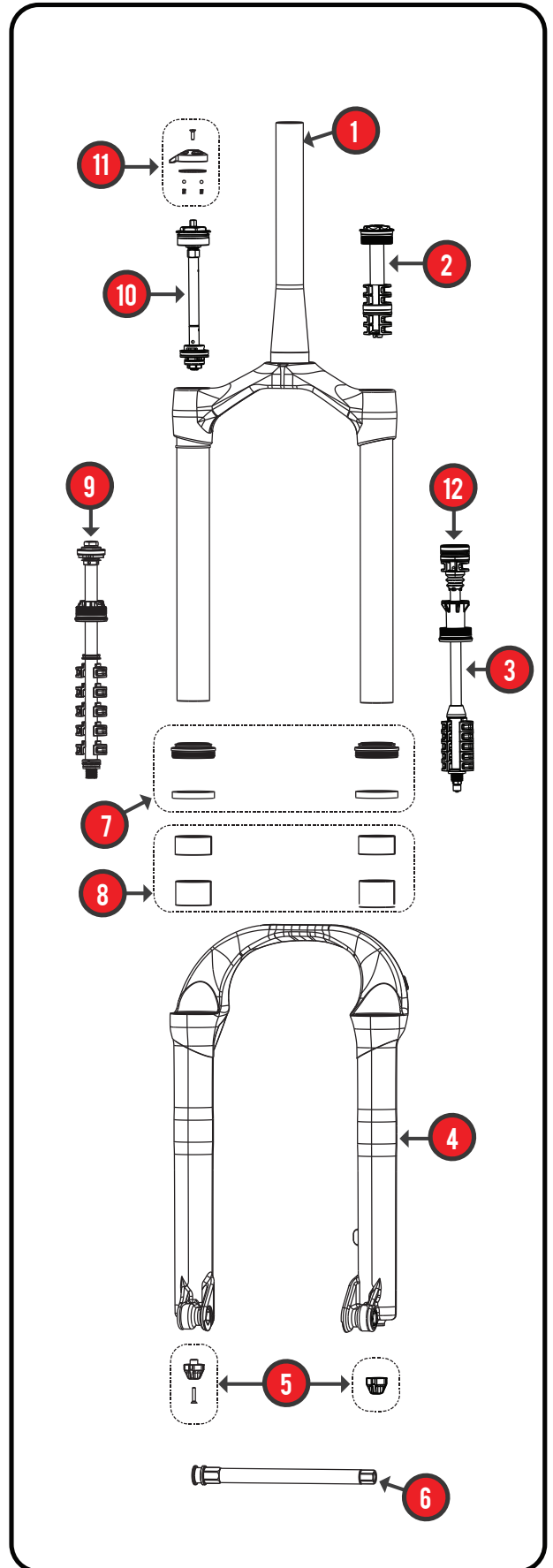
# MASTODON PRO STD & EXT EXPLODED VIEW

	PART DESCRIPTION	PART NUMBER
	CSA 100, 1-1/2 TAPER STEER	141-34087-K001
	CSA 120/140, 1-1/2 TAPER STEER	141-34087-K002
1	CSA 150, 1-1/2 TAPER STEER	141-34087-K017
	CSA 100, 1-1/8 TAPER STEER	141-34087-K003
	CSA 120/140, 1-1/8 STRAIGHT STEER	141-34087-K004
	CSA 150, 1-1/8 TAPER STEER	141-34087-K018
2	AIR CAP VOLUME ADJUST	141-32155-K004
3	PRO <b>STD</b> AIR SPRING ASSEMBLY	141-34087-K007
	PRO <b>EXT</b> AIR SPRING ASSEMBLY	141-34087-K008
4	OUTER CASTING (INCLUDES SEALS AND BUSHINGS)	141-34087-K009
5	REBOUND ADJUST & ARI CAP KNOBS	141-32155-K016
6	HEX LOCK SL 150MM AXLE	141-33147-K004
7	SEAL KIT	141-34000
8	BUSHING KIT	141-30996-K019
	REBOUND DAMPER, <b>STD/EXT</b> , 100MM	141-34087-K015
9	REBOUND DAMPER, <b>STD/EXT</b> , 120/140MM	141-34087-K013
	REBOUND DAMPER, <b>EXT</b> , 150MM	141-34087-K016
10	MC2 W/O HBO COMPRESSION DAMPER	141-30996-K001
11	MC2 W/O HBO KNOB KIT	193-24931-C001
	DECAL KIT	141-34087-K012
	REBUILD KIT	141-28528-K008

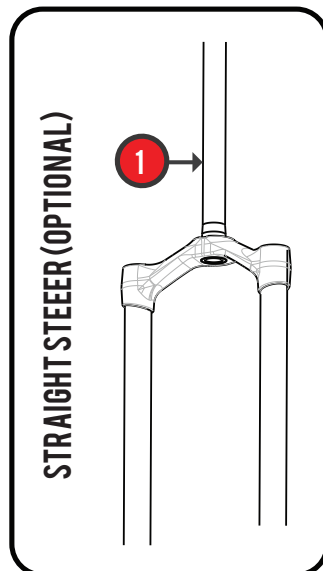


# MASTODON COMP STD & EXT EXPLODED VIEW

	PART DESCRIPTION	PART NUMBER
	CSA 100, 1-1/2 TAPER STEER	141-34087-K001
1	CSA 120/140, 1-1/2 TAPER STEER	141-34087-K002
	CSA 100, 1-1/8 TAPER STEER	141-34087-K003
	CSA 120/140, 1-1/8 STRAIGHT STEER	141-34087-K004
2	AIR CAP/VOLUME ADJUST	141-32156-K025
3	AIR SPRING ASSEMBLY <b>STD</b>	141-35255-K001
	AIR SPRING ASSEMBLY <b>EXT</b>	141-35255-K002
4	CASTING (INCLUDES SEALS AND BUSHINGS)	141-34078-K009
5	KNOB/AIR CAP KIT	141-32155-K016
6	HEX LOCK SL 150MM AXLE	141-33147-K004
7	SEAL KIT	141-34000
8	BUSHING KIT	141-30996-K019
9	REBOUND DAMPER ASSEMBLY	141-34078-K010
10	ABS+ COMPRESSION DAMPER – INCLUDES KNOB	141-32156-K005
11	ABS+ KNOB KIT	193-24931-C001
12	AIR PISTON SUB-ASSY	141-30996-K024
	TRAVEL ADJUST SPACER KIT	141-30159-K012
	AIR PISTON SEAL ONLY, QUAD RING ONLY	141-32156-K011
	DECAL KIT	141-34078-K011
	REBUILD KIT	141-28528-K008



COMP



# MASTODON TRAVEL CHANGE

In order to change the travel of your Mastodon Pro/Comp (STD & EXT), first remove the compression and rebound damper assemblies. For instructions on how to do this, refer to the corresponding Mastodon service guide found on the service page of [manitoumtb.com](http://manitoumtb.com). Change the spacer configuration of the rebound and compression rods using the information provided in the guide.

**NOTE: THE SAME AMOUNT OF SPACERS ARE REQUIRED ON THE REBOUND AND COMPRESSION SIDE.**

## STD vs EXT Ride Height & Travel

Travel (mm)	Mastodon STD		Mastodon EXT	
	Pro	Comp	Pro	Comp
80	-	492.5	-	513.2
100	511	511	531	530.3
120	531	530.6	551	550
140	551	551	571	571
150	561	-	581	-

## Allowable Tire Sizes Per Fork

Mastodon STD	Mastodon EXT
Max Overall Diameter	Max Overall Diameter
756mm	796mm
Max Casing Width	Max Casing Width
131mm	131mm

# MASTODON SIZE TIRE CHART

Brand	Tire	Size	Mastodon STD	Mastodon EXT	Max. Overall Diameter	Max Casing Width
<b>45NRTH1</b>						
	Dillinger 4	26X4	X	X	745mm	106mm
	Dillinger 5	26X4		X	759mm	102mm
	Dunderbeist	26X4.6		X	760mm	116mm
	Flowbeist	26X4.6		X	760mm	115mm
	Husker Du	26X4	X	X	728mm	105mm
	Vanhelga	26X4	X	X	744mm	108mm
<b>Bontrager</b>						
	Barbegazi2	27.5X4.5		X	791mm	116mm
<b>Kenda</b>						
	Juggernaut2	26X4.5		X	778mm	117mm
<b>Maxxis</b>						
	Minion FBF3	27.5X3.8	X	X	755mm	97.5mm
<b>Surly1</b>						
	Big Fat Larry	26X4.7		X	756.5mm	118mm
	Black Floyd	26X3.8	X	X	735.5mm	111mm
	Bud	26X4.8		X	775.5mm	125mm
	Endomorph	26X3.7	X	X	736mm	106mm
	Knard 3.8	26X3.8	X	X	742mm	107mm
	Knard 4.8	26X4.8		X	771.5mm	126mm
	Larry	26X3.8	X	X	745mm	111mm
	Lou	26X4.7		X	778mm	124mm
	Nate	26X3.8	X	X	745mm	112mm
<b>Vee Rubber</b>						
	Snowshoe 2XL4	26X5.05		X	791mm	116mm

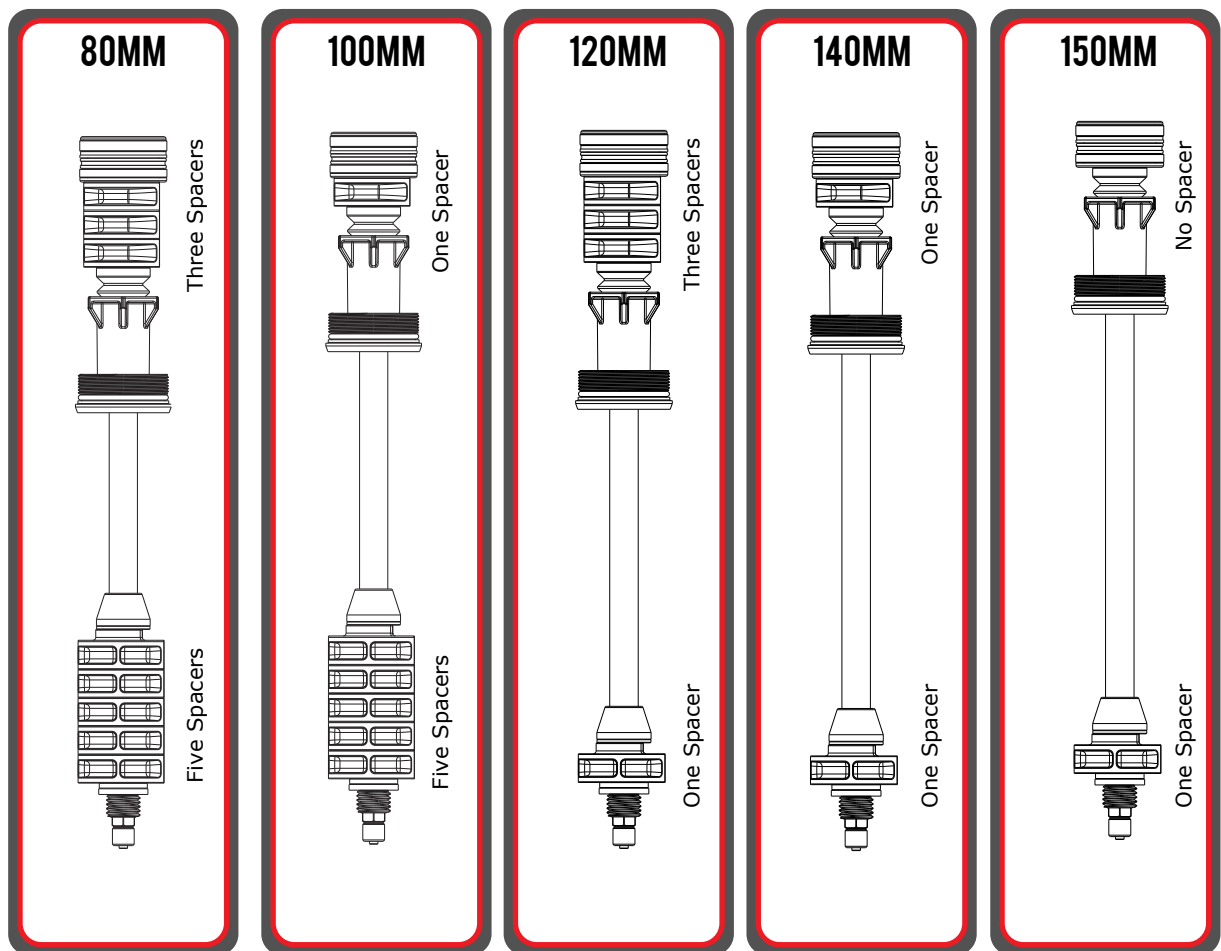


# MASTODON PRO

Depending on the crown steerer assembly (CSA) your fork was built with you may have a few travel change options. The 100 can convert down to 80mm by removing two of the 10mm spacers on the rebound and compression rods. The 120mm can convert to 140mm. The 150 EXT is fixed at its travel.

**EXAMPLE:** The Mastodon Pro STD is set at 120 with three travel spacers. Removing one 10mm spacer will set it at 130. Removing two 10mm will set the fork at 140mm as seen below.

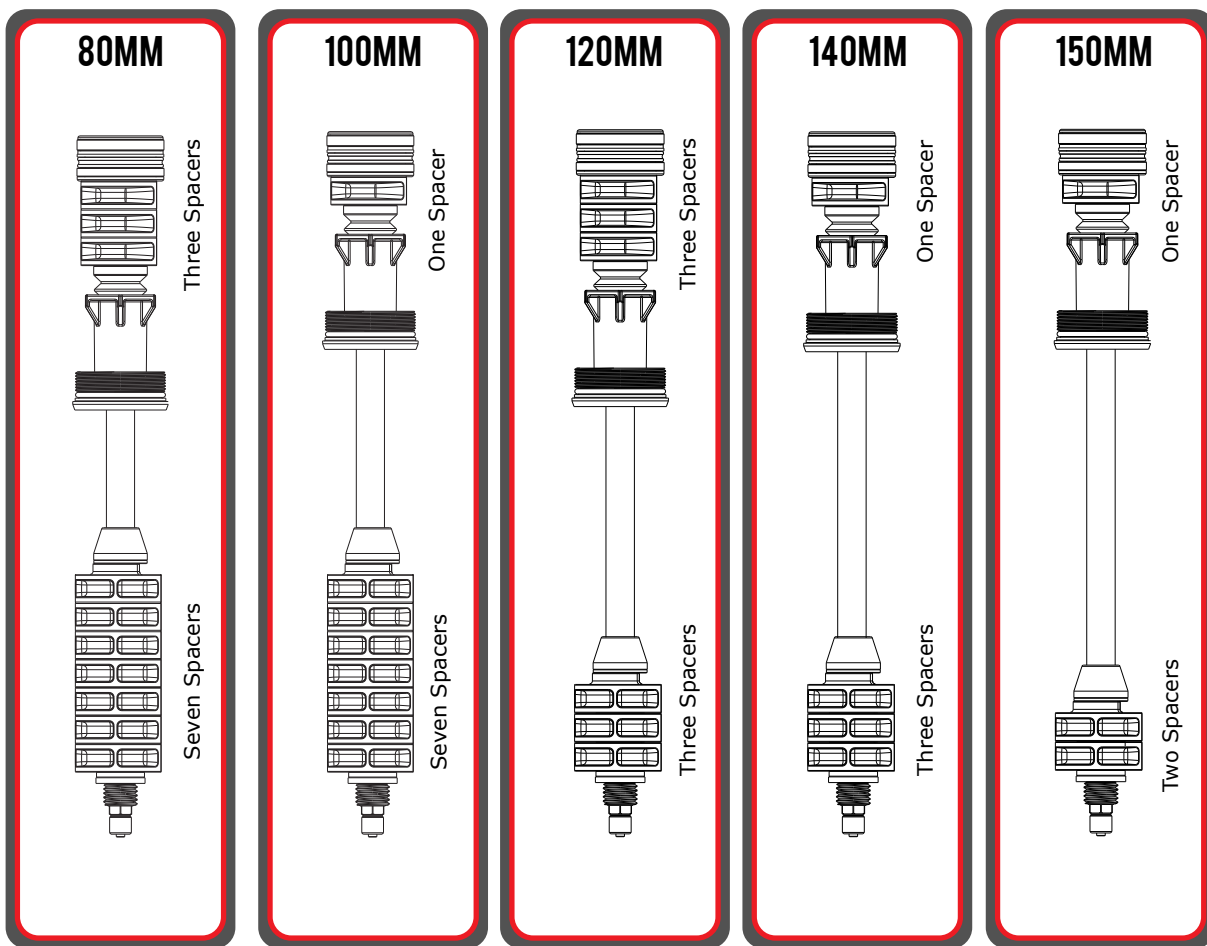
## MASTODON PRO STD SPACER GUIDE



**NOTE: DO NOT ADJUST THE LOWER SPACERS.**

# MASTODON PRO

## MASTODON PRO EXT SPACER GUIDE



**NOTE: DO NOT ADJUST THE LOWER SPACERS.  
FOR EXT: MINIMUM ONE UPPER SPACER REQUIRED**

# MASTODON COMP

All travel settings for the Mastodon Comp use the same process as the Pro. The only difference is that there are no options for 150mm travel.



[WWW.MANITOUMTB.COM](http://WWW.MANITOUMTB.COM) [WWW.HAYESCOMPONENTS.COM](http://WWW.HAYESCOMPONENTS.COM)  
5800 W DONGES BAY ROAD MEQUON WI 53092