

DORADO  
FENDER MOUNTING

*M* MANITOU

*DORADO*

## MANITOU

---

5800 W Donges Bay Rd  
Mequon, WI 53092

[manitoumtb.com](http://manitoumtb.com)

888.686.3472

Support: [manitoumtb.com/support](http://manitoumtb.com/support)

## WARRANTY

---

For full warranty information please visit  
[hayesbicycle.com/warranty](http://hayesbicycle.com/warranty)

**HAYES**

**M**  
MANITOU

**PROTAPER**

**REYNOLDS**

**SUN**  
ringlé

# INTRODUCTION

Congratulations on choosing the latest in suspension technology. The Dorado Fender is meant to complement both fork and rider with its multiple configurations in order to adapt to trail conditions and riding style.

<b>Hayes Bicycle USA</b>	5800 W Donges Bay Road Mequon WI 53092
	Phone: 888.686.3472
	Email: techsupport@hayesbicycle.com

<b>Hayes Bicycle Europe</b>	Dirnismaning 20 a 85748 Garching (b. Munich) Germany
	Phone: +49 89 203237450
	Email: techsupportEU@hayesbicycle.com

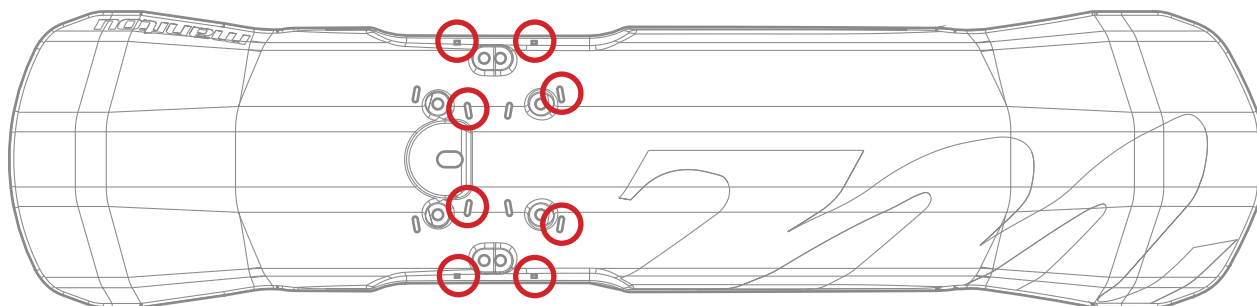
<b>Hayes Bicycle Asia</b>	16F, No. 37, Sec. 3 Mincyuan E. Rd. Zhongshan District Taipei City 10476 Taiwan ROC
	Phone: 886-2-2518-1108

# TABLE OF CONTENTS

---

SECTION	PAGE NUMBER
Zip Tie Mount MTB	5
Zip Tie Mount Moto	7
Direct Mount MTB	9
Direct Mount Moto	11

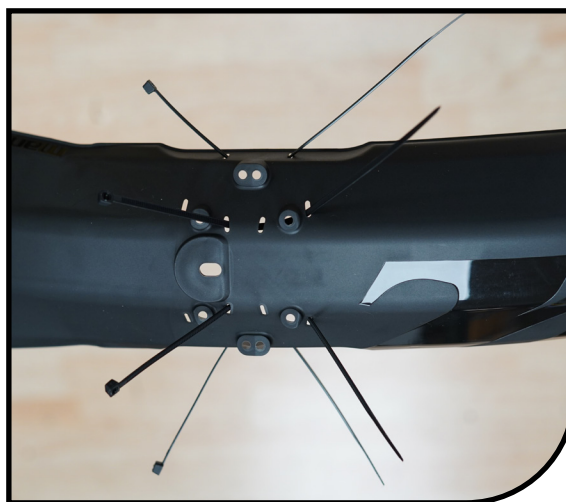
# ZIP TIE MOUNTING MTB



FRONT 

: MOUNTING HOLES

- 1 Slide zip ties through specified holes. Place zip tie heads towards the back of the bike to hide them from view.



- 2 Holding fender up to the lower crown, loosely fit upper zip ties around lower crown. Leave enough slack to move fender around.



# ZIP TIE MOUNTING MTB

- 3** Loosely fit lower zip ties around the legs. Leave enough slack to move fender around.



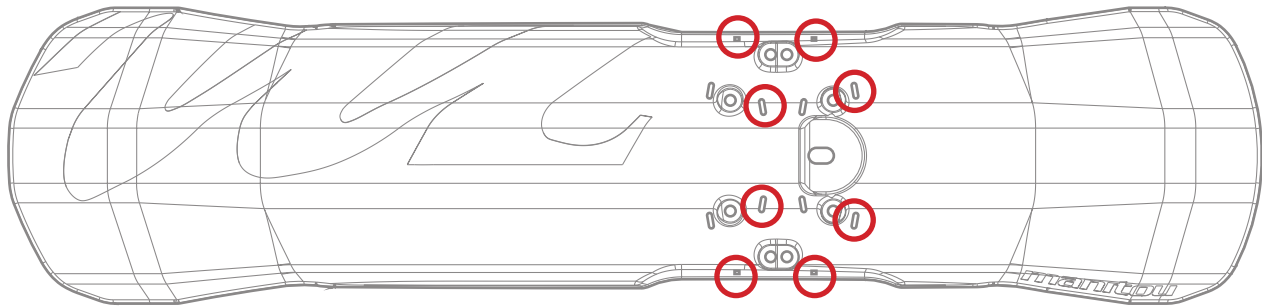
- 4** Evenly tighten the zip ties, ensuring the placement of the fender. Before fully tightening zip ties move the head to desired position. Finish final tightening



- 5** Cut excess zip tie flush with zip tie head.



# ZIP TIE MOUNTING MOTO

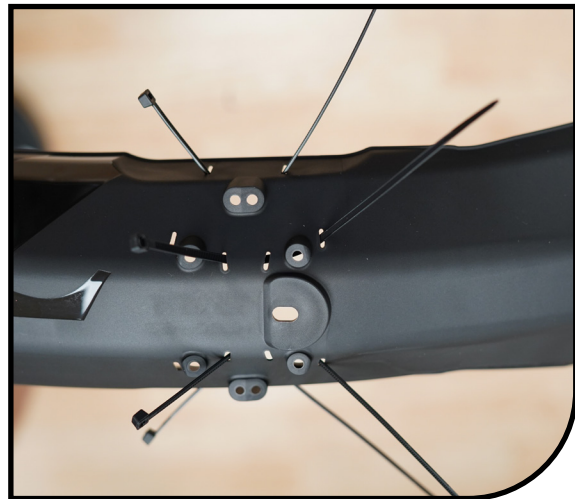


FRONT ←

○ : MOUNTING HOLES

1

Slide zip ties through specified holes. Place zip tie heads towards the back of the bike to hide them from view.



2

Holding fender up to the lower crown, loosely fit upper zip ties around lower crown. Leave enough slack to move fender around.



# ZIP TIE MOUNTING MOTO

- 3** Loosely fit lower zip ties around the legs. Leave enough slack to move fender around.



- 4** Evenly tighten the zip ties, ensuring the placement of the fender. Before fully tightening zip ties move the head to desired position. Finish final tightening.

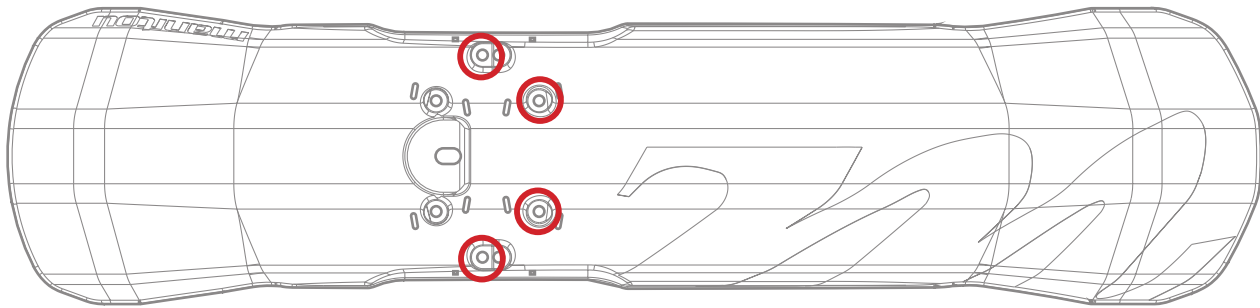


- 5** Cut excess zip tie flush with zip tie head.





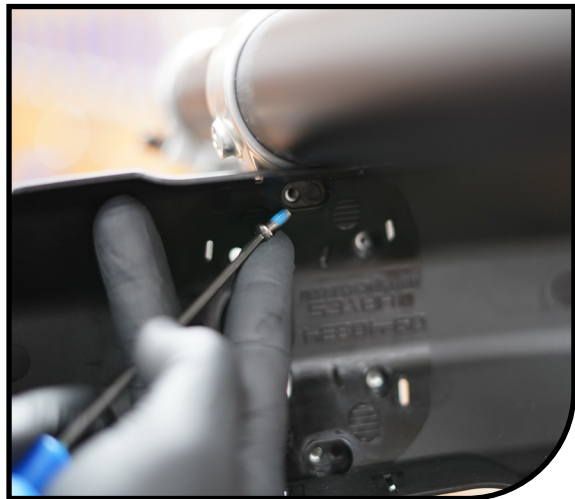
# DIRECT MOUNT MTB



FRONT 

: MOUNTING HOLES

**1** Locate holes needed for desired orientation.



**2** Holding fender up to lower crown, insert machine screw through fender and start threading screw into lower crown boss. Leave fastener loose so the fender position can be adjusted if necessary.



## DIRECT MOUNT MTB

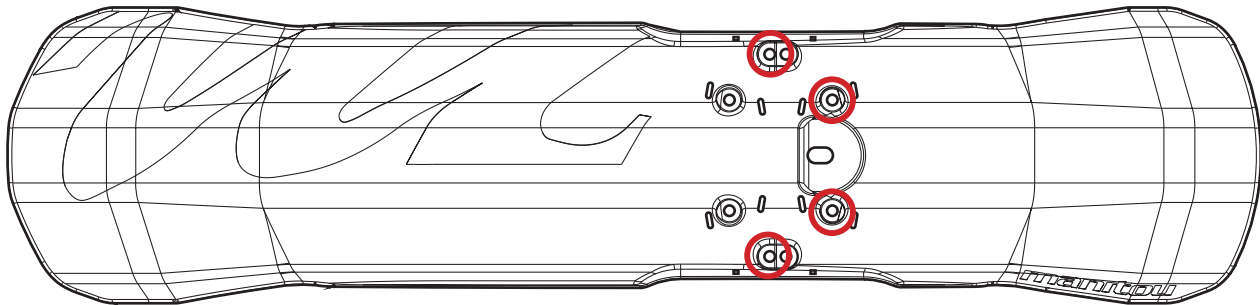
- 3 Thread remaining fasteners into lower crown.



- 4 Torque all fasteners to 0,5-0,7 Nm [4-6 LB-IN]



# DIRECT MOUNT MOTO



FRONT 

 : MOUNTING HOLES

**1** Locate holes needed for desired orientation.

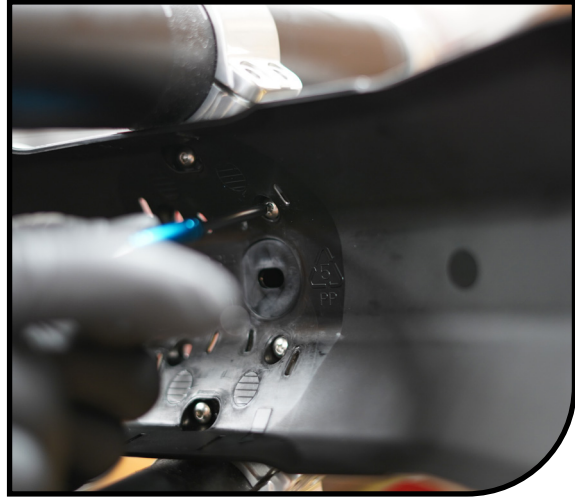


**2** Holding fender up to lower crown, insert machine screw through fender and start threading screw into lower crown boss. Leave fastener loose so the fender position can be adjusted if necessary.



## DIRECT MOUNT MOTO

**3** Thread remaining fasteners into lower crown.



**4** Torque all fasteners to 0,5-0,7 Nm [4-6 LB-IN]



## GLOBAL HEADQUARTERS & HAYES BICYCLE GROUP USA

5800 W. Donges Bay Rd.  
Mequon, WI 53092

## HAYES BICYCLE GROUP EU

Dirnismaning 20 a  
85748 Garching (b. Munich)  
Germany

## HAYES BICYCLE GROUP ASIA

16F, No. 37, Sec. 3  
Mincyuan E. Rd.  
Zhongshan District

[facebook.com/ManitouMTB](https://facebook.com/ManitouMTB)



[instagram.com/ManitouMTB](https://instagram.com/ManitouMTB)



#ScienceofSmooth

**HAYES**

**M**  
MANITOU

**PROTAPER**

**REYNOLDS**

**SUN**  
ringlé