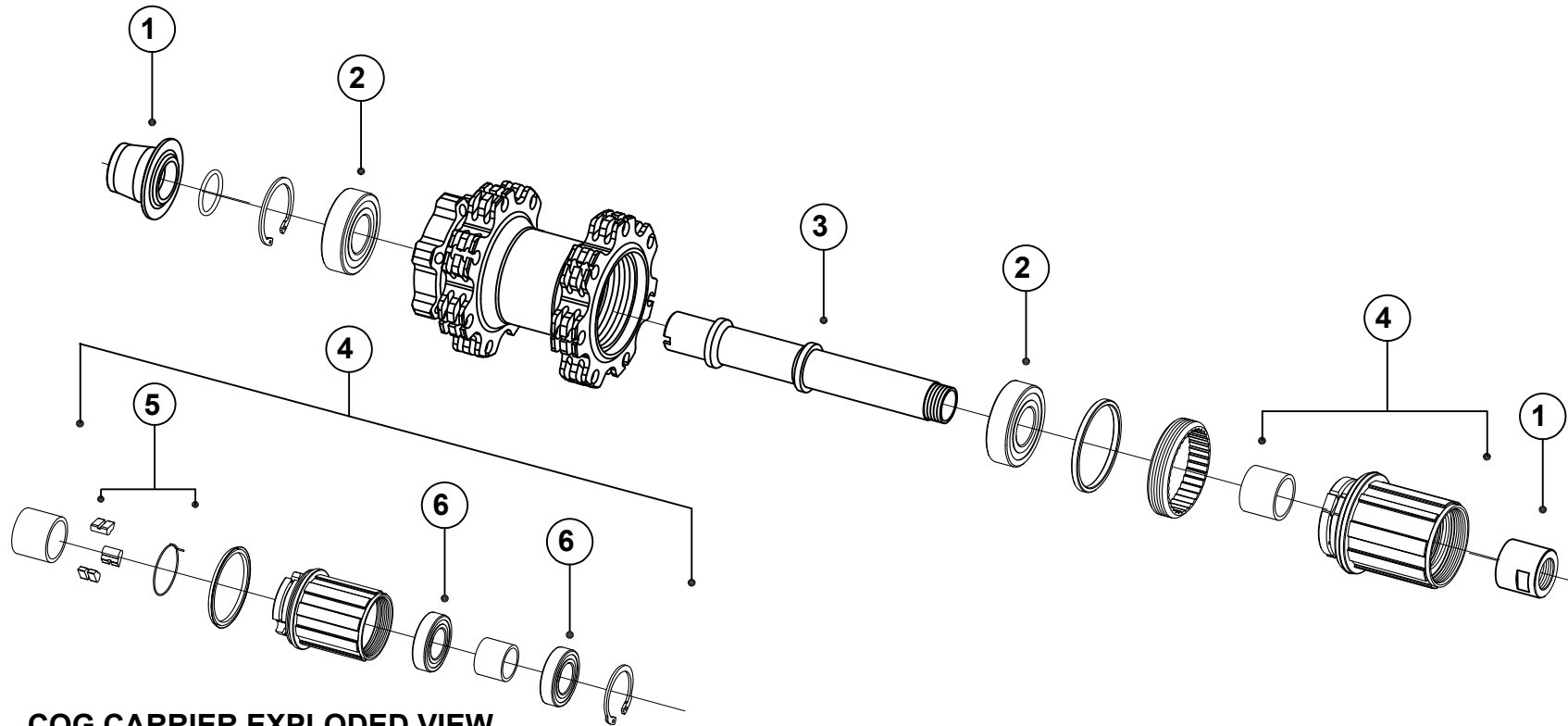


HUB DIAGRAMS



ADD EXPERT REAR HUB 150mm

PART DESCRIPTION	PART NUMBER
1. 12 x 157mm End Caps (O-rings included with caps)	EDR2CAP142
12 x 150mm End Caps (Not shown)	ED2RCAP
2. 6002 Bearing	EH0801
3. Axle	ED2AX150M12
4. Cog Carrier - Cromoly (includes pawls and spring)	EDL0889
Cog Carrier - Alloy (includes pawls and spring)	EDL0855
5. Pawl & Spring Kit	DJPAWK
6. 6902 Bearing	EH0901T