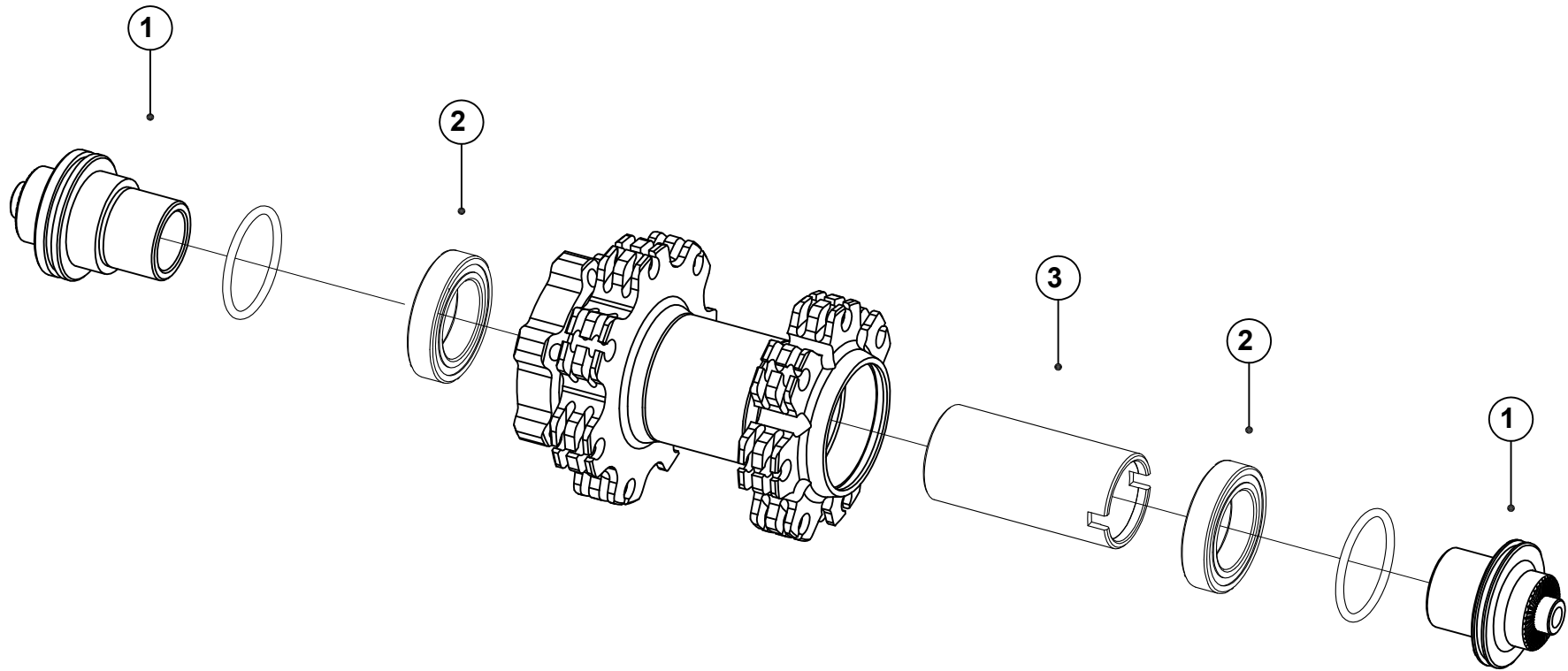


HUB DIAGRAMS



BLACK FLAG/CHARGER/ADD EXPERT FRONT HUB

PART DESCRIPTION

PART NUMBER

1. QR End Cap Kit (O-rings included)	ED2FCAPQR
15mm End Cap Kit (Not shown)	ED2FCAP15
20mm End Cap Kit (Not shown)	ED2FCAP20
2. 6804 Bearing	EH0912T
3. Sub-Axle	EDFAXK