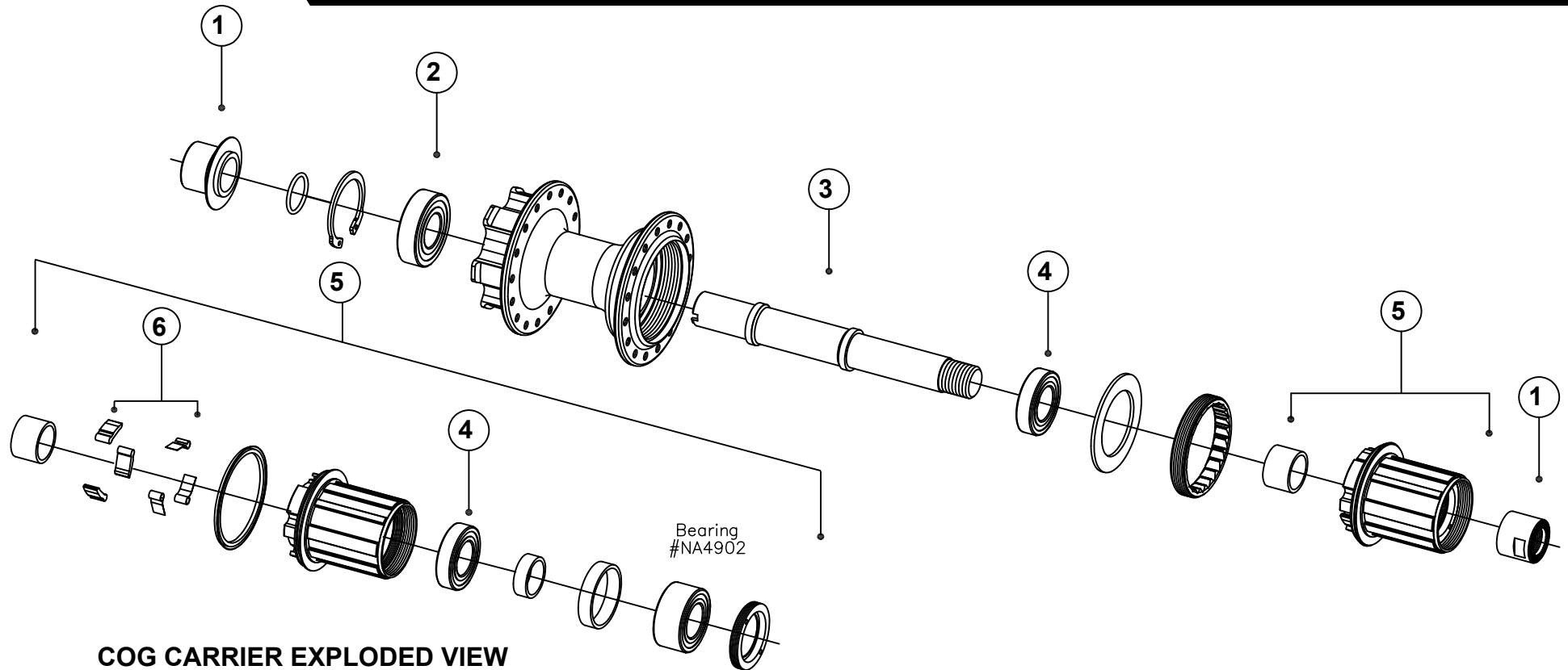


HUB DIAGRAMS



JUMPING FLEA REAR HUB 150mm

PART DESCRIPTION	PART NUMBER
1. End Cap Kit 12 x 150mm	EJFRCAP135150K
End Cap Kit 12 x 157mm	EJFCAP142
2. 6002 Bearing	EH0801
3. Axle Kit	EJFAXK150
4. 6902 Bearing	EH0901T
5. Cog Carrier (includes pawls & springs)	EHL955T
6. Pawl & Spring Kit	EJPAWL