



**2016 TECHNICAL SERVICE MANUAL**

REYNOLDS CYCLING  
9091 SANDY PARKWAY  
SANDY, UT 84070  
866-798-3040  
[www.reynoldscycling.com](http://www.reynoldscycling.com)

REYNOLDS CYCLING  
EU SERVICE CENTER  
MAASTRICHT, NL  
WATERMOLEN 1  
6229PM MAASTRICHT  
+31 (0) 43 382 4458

# TABLE OF CONTENTS TECHNICAL SERVICE 2016

<b>PAGE 3:</b>	<b>2016 REYNOLDS WHEEL GRAPHICS</b>	<b>PAGES 37 - 39:</b>	<b>2016 REYNOLDS CARBON FATBIKE MOUNTAIN WHEEL</b> DEAN 26 FATBIKE 177MM TUBELESS DEAN 26 FATBIKE 197MM TUBELESS
<b>PAGES 4 – 7:</b>	<b>2016 ROAD RZR AND ELEMENT CARBON</b> RZR 46 RZR 92 ELEMENT	<b>PAGES 40 - 52:</b>	<b>2016 MTN BLACK LABEL CARBON</b> 27.5 TRAIL ASYM 27.5 TRAIL ASYM BOOST 27.5 ENDURO ASYM 27.5 ENDURO ASYM BOOST 27.5 PLUS 29 TRAIL 29 TRAIL BOOST 29 ENDURO 29 ENDURO BOOST
<b>PAGES 8 – 19:</b>	<b>2016 ROAD AERO CARBON</b> AERO 46 AERO 46 PLUS ROAD DISC AERO 58 AERO 72 AERO 90	<b>PAGE 53:</b>	<b>2016 ROAD SPOKE LENGTH CHART</b> ROAD CARBON ROAD ALLOY
<b>PAGES 20 – 31:</b>	<b>2016 ROAD PERFORMANCE CARBON</b> ATTACK ASSAULT SLG STRIKE SLG ATTACK ROAD DISC ASSAULT SLG ROAD DISC ATR: ALL TERRAIN ROAD DISC	<b>PAGE 54:</b>	<b>2016 MTN SPOKE LENGTH CHART</b> MTN CARBON MTN ALLOY
<b>PAGES 32 - 36:</b>	<b>2016 ROAD ALLOY SERIES</b> STRATUS PRO STRATUS PRO ROAD DISC	<b>PAGE 55:</b>	<b>2016 RIM ERD CHART</b>
		<b>PAGE 56:</b>	<b>2016 WHEEL ASSEMBLY RECOMMENDATIONS</b>

# REYNOLDS WHEEL GRAPHICS 2016



**RZR**



**AERO**



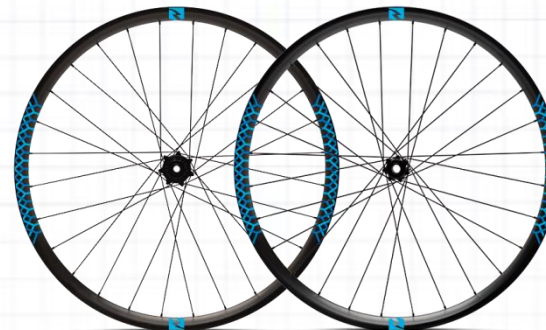
**PERFORMANCE - SLG**



**ROAD ALLOY**



**MTN ALLOY**



**MTN CARBON**



**ELEMENT**

# 2016 REYNOLDS RZR CARBON ROAD WHEELS



**RZR 46**



**RZR 92**

**PLEASE NOTE:**  
11 SPEED UPGRADE KIT NOT AVAILABLE FOR 10  
SPEED RZR REAR WHEELS. CONTACT REYNOLDS  
FOR 11 SPEED CASSETTE OPTIONS.

**WARNING:** The information contained herein is proprietary and confidential to Reynolds Cycling and Reynolds Cycling affiliates. This document is not intended for public distribution or disclosure. This document may be referenced and reproduced for and by Reynolds Cycling and Reynolds Cycling affiliates only.

# 2016 RZR TUBULAR: 46T & 92T FULL CARBON ROAD

**PART NO. WHEEL DESCRIPTION**

<b>74001</b>	<b>WS, RZR 46T SHIMANO 11SPD 16/20H</b>
73003	W, RZR 46T FRONT 16H
74004	W, RZR 46T SHIMANO 11SPD 20H
<b>73002</b>	<b>WS, RZR 46T CAMPY 11SPD 16/20H</b>
73003	W, RZR 46T FRONT 16H
73005	W, RZR 46T CAMPY 11SPD 20H
<b>74021</b>	<b>WS, RZR 92T SHIMANO 11SPD 16/20H</b>
73023	W, RZR 92T FRONT 16H
74024	W, RZR 92T SHIMANO 11SPD 20H
<b>73002</b>	<b>WS, RZR 92T CAMPY 11SPD 16/20H</b>
73023	W, RZR 92T FRONT 16H
73022	W, RZR 92T CAMPY 11SPD 20H

**RZR ACCESSORIES**

20898	SKEWER, RZR REAR
20899	SKEWER, RZR FRONT
20797	BRAKE PAD,CRYO BL PWR SHIM 2PK
20798	BRAKE PAD,CRYO BLU PWR CAMPY
85112	WHEEL BAG SINGLE, REYNOLDS
20647	VALVE EXTENDER, 50MM STEM
20912	VALVE HOLE PLUG, RZR 92T

**PART NO. HUB COMPONENTS**
**FRONT HUB RZR**

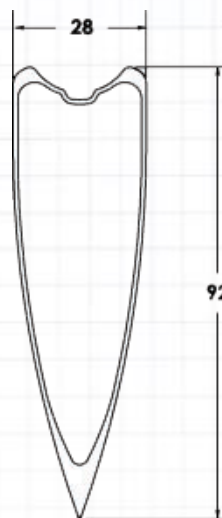
20173	BEARING, 6802, ABEC 5, 2RU	2
20197	WASHER, STAINLESS .015" TH RZR	11
20737	SPACER, GREASE, RZR	2
20739	END CAP, FRONT, RZR	2
20782	WASHER, SS THRUST (.003), RZR	2
20866	AXLE, RZR FRONT ALUMINUM	1

**REAR HUB RZR SHIMANO 11**

20173	BEARING, 6802, ABEC 5, 2RU	4
20197	WASHER, STAINLESS .015" TH RZR	7
20737	SPACER, GREASE, RZR	1
20740	END CAP, REAR N-DRIVE SIDE, RZR	1
20782	WASHER, SS THRUST (.003), RZR	1
20785	END CAP, REAR DRIVE SIDE, RZR	1
20868	AXLE, RZR CAMPY ALUMINUM	1
20709	FREEHUB, SHIM RZR 11 SP	1

**REAR HUB RZR CAMPY 11**

20173	BEARING, 6802, ABEC 5, 2RU	4
20197	WASHER, STAINLESS .015" TH RZR	10
20737	SPACER, GREASE, RZR	1
20740	END CAP, REAR N-DRIVE SIDE, RZR	1
20782	WASHER, SS THRUST (.003), RZR	1
20784	SPACER, AXLE CASS. CAMPY RZR	1
20785	END CAP, REAR DRIVE SIDE, RZR	1
20933	SPACER, DRIVE SIDE 0.1", RZR	1
20868	AXLE, RZR CAMPY ALUMINUM	1
20710	FREEHUB, CAMPY RZR 11 SP	1


**RZR 46T**

**RZR 92T**

**WARNING:** The information contained herein is proprietary and confidential to Reynolds Cycling and Reynolds Cycling affiliates. This document is not intended for public distribution or disclosure. This document may be referenced and reproduced for and by Reynolds Cycling and Reynolds Cycling affiliates only.

# 2016 REYNOLDS ELEMENT DISC WHEELS

PART NO.	WHEEL DESCRIPTION
73601	W, ELEMENT TUBULAR DISC SHIMANO/SRAM 11SPD
73602	W, ELEMENT TUBULAR DISC CAMPAGNOLO 11SPD
73603	W, ELEMENT CLINCHER DISC SHIMANO/SRAM 11SPD
73604	W, ELEMENT CLINCHER DISC CAMPAGNOLO 11SPD

PART NO.	HUB COMPONENTS AND ACCESSORIES	QTY
21156	FREEHUB, ELEMENT DISC 9/10/11 SHIMANO	
20328	FREEHUB, ELEMENT DISC 9/10/11 CAMPY	
20647	VALVE EXTENDER, 50MM STEM	
21160	RIM STRIP, 18MM BLUE	
20816	SKEWER, FRONT UPPER LEVEL AERO	
20817	SKEWER, REAR UPPER LEVEL AERO	
20797	BRAKE PAD,CRYO BL PWR SHIM (2PK)	
20798	BRAKE PAD,CRYO BLU PWR CAMPY (2PK)	
20156	BEARING, 6902RS REAR HUB	4
85112	WHEEL BAG SINGLE, REYNOLDS	



**PLEASE NOTE:**  
11 SPEED UPGRADE KIT **NOT** AVAILABLE FOR 10  
SPEED ELEMENT REAR WHEELS. CONTACT  
REYNOLDS FOR 11 SPEED CASSETTE OPTIONS.

**ELEMENT CLINCHER  
AND TUBULAR**

**WARNING:** The information contained herein is proprietary and confidential to Reynolds Cycling and Reynolds Cycling affiliates. This document is not intended for public distribution or disclosure. This document may be referenced and reproduced for and by Reynolds Cycling and Reynolds Cycling affiliates only.

# 2016 ELEMENT DISC REAR HUB

## Element Disc Hub



Item	Description	QTY	Shimano	Campagnolo
			Part No.	Part No.
1	End Cap (NDS)	1	-	-
2	Screw Off Shell	1	-	-
3	Seal	1	-	-
4	Bearing (6902RU)	2	20156	20156
5	Hub Shell	1	-	-
6	Rubber Seal	1	21156*	20328*
7	Axle	1	-	-
8	Spacer**	1	21156*	20328*
9	Freehub Body (Shimano)	1	21156*	20328*
10	End Cap (DS)	1	21156*	20328*

\*Freehub Body Kit Includes: Freehub (9), Spacer (8), DS End Cap (10) And Rubber Seal (6)

\*\* Shimano Spacer ± 10mm Thick  
Campagnolo Spacer ± 4mm Thick

Hub Options	
Part No.	Description
20342	HUB, CHOSEN DISC SHIMANO 10SP
20343	HUB, CHOSEN DISC SHIMANO 11SP
20326	HUB, CHOSEN DISC CAMPY 10SP
20327	HUB, CHOSEN DISC CAMPY 11SP

End Caps (DS only available in Freehub Kit)*	
Part No.	Description
21156	FREEHUB, DISC 9/10/11 SHIMANO
20328	FREEHUB, DISC 9/10/11 CAMPY

**WARNING:** The information contained herein is proprietary and confidential to Reynolds Cycling and Reynolds Cycling affiliates. This document is not intended for public distribution or disclosure. This document may be referenced and reproduced for and by Reynolds Cycling and Reynolds Cycling affiliates only.

# 2016 REYNOLDS AERO CLINCHER ROAD WHEELS



**46 AERO**

**58 AERO**

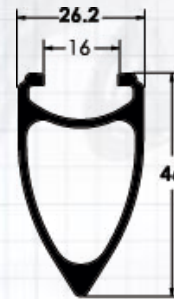
**72 AERO**

**90 AERO**



# 2016 46 AERO CLINCHER AERO ROAD

PART NO.	ITEM DESCRIPTION	QTY
<b>74336</b>	<b>WS, 46 AERO C SHIMANO RB 16/20H</b>	<b>1</b>
20119	BOX, TW DBLE WHL RNLD BOX 2016	1
<b>74338</b>	<b>W, 46 AERO C FRONT RB 16H</b>	<b>1</b>
20453	HUB, FRONT AERO-SLG 16H S PULL	1
20911	NIPPLE, HEX HIDDEN INTERNAL	16
21530	SPOKE, SPM CX-RAY 276MM SP BLK	16
63338	D RIM, INKJET AERO 46 C RB 16H	1
<b>74339</b>	<b>W, 46 AERO C SHIMANO RB 20H</b>	<b>1</b>
20144	HUB, AERO-SLG 20H SHIM SP BLK	1
20911	NIPPLE, HEX HIDDEN INTERNAL	20
21533	SPOKE, SPM CX-RAY 290MM SP BLK	10
21598	SPOKE, SPM CX-RAY 291MM SP BLK	10
63339	D RIM, INKJET AERO 46 C RB 20H	1
	<b>W ACC KIT, 46 AERO CLINCHER</b>	<b>1</b>
20816	SKEWER, QR FRONT UPPER LEVEL	1
20817	SKEWER, QR REAR UPPER LEVEL	1
20647	VALVE EXTENDER, 50MM STEM, TW	2
21880	BRAKE PAD,CRYO BL PWR SHIM 2PK	2
20363	RIM TAPE, VELOX 22mm	2
21190	0.9mm SPACER RING, SINGLE	2
85112	WHEEL BAG SINGLE, REYNOLDS	2
<b>74337</b>	<b>WS, 46 AERO C CAMPY RB 16/20H</b>	<b>1</b>
<b>74340</b>	<b>W, 46 AERO C CAMPY RB 20H</b>	<b>1</b>
20148	HUB, AERO-SLG 20H CAMPY SP	1
20798	BRAKE PAD,CRYO BL PWR CAMP 2PK	2



## PART NO. HUB COMPONENTS AND ACCESSORIES QTY

20140	FREEHUB, DT 9/10/11 SHIM BLACK	
20141	FREEHUB BODY, DT CAMPY BLACK	
20652	FREEHUB, DT 240S 11SP ROAD KIT	
20191	FREEHUB, DT CONV SHIM TO CAMPY	
21242	END CAP FRONT AERO (PAIR)	
20700	KT AXLE & LOCK NUTS FRONT ROAD	
20173	BEARING, FRONT HUB 6802RS ABEC 5	2
20156	BEARING, 6902, ENDURO REAR HUB	2
20080	PLUG, AERO VALVE HOLE	
85139	WHEEL BAG DOUBLE, REYNOLDS	
85000	BRAKE PAD CRYO BL PWR SHIM 4PAK	
85008	BRAKE PAD CRYO BL PWR CAMPY 4PAK	

**WARNING:** The information contained herein is proprietary and confidential to Reynolds Cycling and Reynolds Cycling affiliates. This document is not intended for public distribution or disclosure. This document may be referenced and reproduced for and by Reynolds Cycling and Reynolds Cycling affiliates only.

## 2016 58 AERO CLINCHER AERO ROAD

PART NO.	ITEM DESCRIPTION	QTY
73656	WS, 58 AERO C SHIMANO RB 16/20	1
73658	W, 58 AERO C FRONT RB 16H	1
20453	HUB, FRONT AERO-SLG 16H S PULL	1
20911	NIPPLE, HEX HIDDEN INTERNAL	16
21590	SPOKE, SPM CX-RAY 269MM SP BLK	16
63658	D RIM, INKJET AERO 58 C RB 16H	1
73659	W, 58 AERO C SHIMANO RB 20H	1
20144	HUB, AERO-SLG 20H SHIM SP BLK	1
20911	NIPPLE, HEX HIDDEN INTERNAL	20
21593	SPOKE, SPM CX-RAY 280MM SP BLK	10
21595	SPOKE, SPM CX-RAY 282MM SP BLK	10
63659	D RIM, INKJET AERO 58 C RB 20H	1
	<b>W ACC KIT, AERO C SHIMANO</b>	1
20816	SKEWER, QR FRONT UPPER LEVEL	1
20817	SKEWER, QR REAR UPPER LEVEL	1
20647	VALVE EXTENDER, 50MM STEM, TW	2
21880	BRAKE PAD,CRYO BL PWR SHIM 2PK	2
20363	RIM TAPE, VELOX 22mm	2
21190	0.9mm SPACER RING, SINGLE	2
85112	WHEEL BAG SINGLE, REYNOLDS	2
73657	WS, 58 AERO C CAMPY RB 16/20H	1
73660	W, 58 AERO C CAMPY 20H	1
20148	HUB, AERO-SLG 20H CAMPY SP	1
20798	BRAKE PAD,CRYO BL PWR CAMP 2PK	2



PART NO.	HUB COMPONENTS AND ACCESSORIES	QTY
20140	FREEHUB, DT 9/10/11 SHIM BLACK	
20141	FREEHUB BODY, DT CAMPY BLACK	
20652	FREEHUB, DT 240S 11SP ROAD KIT	
20191	FREEHUB, DT CONV SHIM TO CAMPY	
21242	END CAP FRONT AERO (PAIR)	
20700	KT AXLE & LOCK NUTS FRONT ROAD	
20173	BEARING, FRONT HUB 6802RS ABEC 5	2
20156	BEARING, 6902, ENDURO REAR HUB	2
20080	PLUG, AERO VALVE HOLE	
85139	WHEEL BAG DOUBLE, REYNOLDS	
85000	BRAKE PAD CRYO BL PWR SHIM 4PAK	
85008	BRAKE PAD CRYO BL PWR CAMPY 4PAK	

**WARNING:** The information contained herein is proprietary and confidential to Reynolds Cycling and Reynolds Cycling affiliates. This document is not intended for public distribution or disclosure. This document may be referenced and reproduced for and by Reynolds Cycling and Reynolds Cycling affiliates only.

## 2016 72 AERO CLINCHER AERO ROAD

PART NO.	ITEM DESCRIPTION	QTY
73836	WS, 72 AERO C SHIMANO RB 16/20	1
73838	W, 72 AERO C FRONT RB 16H	1
20453	HUB, FRONT AERO-SLG 16H S PULL	1
20911	NIPPLE, HEX HIDDEN INTERNAL	16
21586	SPOKE, SPM CX-RAY 254MM SP BLK	16
63838	D RIM, INKJET AERO 72 C RB 16H	1
73839	W, 72 AERO C SHIMANO RB 20H	1
20144	HUB, AERO-SLG 20H SHIM SP BLK	1
20911	NIPPLE, HEX HIDDEN INTERNAL	20
21589	SPOKE, SPM CX-RAY 268MM SP BLK	20
63839	D RIM, INKJET AERO 72 C RB 20H	1
	<b>W ACC KIT, AERO C SHIMANO</b>	1
20816	SKEWER, QR FRONT UPPER LEVEL	1
20817	SKEWER, QR REAR UPPER LEVEL	1
20647	VALVE EXTENDER, 50MM STEM, TW	2
21880	BRAKE PAD,CRYO BL PWR SHIM 2PK	2
20363	RIM TAPE, VELOX 22mm	2
21190	0.9mm SPACER RING, SINGLE	2
85112	WHEEL BAG SINGLE, REYNOLDS	2
73837	WS, 72 AERO C CAMPY RB 16/20H	1
73840	W, 72 AERO C CAMPY RB 20H	1
20148	HUB, AERO-SLG 20H CAMPY SP	1
20798	BRAKE PAD,CRYO BL PWR CAMP 2PK	2



PART NO.	HUB COMPONENTS AND ACCESSORIES	QTY
20140	FREEHUB, DT 9/10/11 SHIM BLACK	
20141	FREEHUB BODY, DT CAMPY BLACK	
20652	FREEHUB, DT 240S 11SP ROAD KIT	
20191	FREEHUB, DT CONV SHIM TO CAMPY	
21242	END CAP FRONT AERO (PAIR)	
20700	KT AXLE & LOCK NUTS FRONT ROAD	
20173	BEARING, FRONT HUB 6802RS ABEC 5	2
20156	BEARING, 6902, ENDURO REAR HUB	2
20080	PLUG, AERO VALVE HOLE	
85139	WHEEL BAG DOUBLE, REYNOLDS	
85000	BRAKE PAD CRYO BL PWR SHIM 4PAK	
85008	BRAKE PAD CRYO BL PWR CAMPY 4PAK	

**WARNING:** The information contained herein is proprietary and confidential to Reynolds Cycling and Reynolds Cycling affiliates. This document is not intended for public distribution or disclosure. This document may be referenced and reproduced for and by Reynolds Cycling and Reynolds Cycling affiliates only.

# 2016 90 AERO CLINCHER AERO ROAD

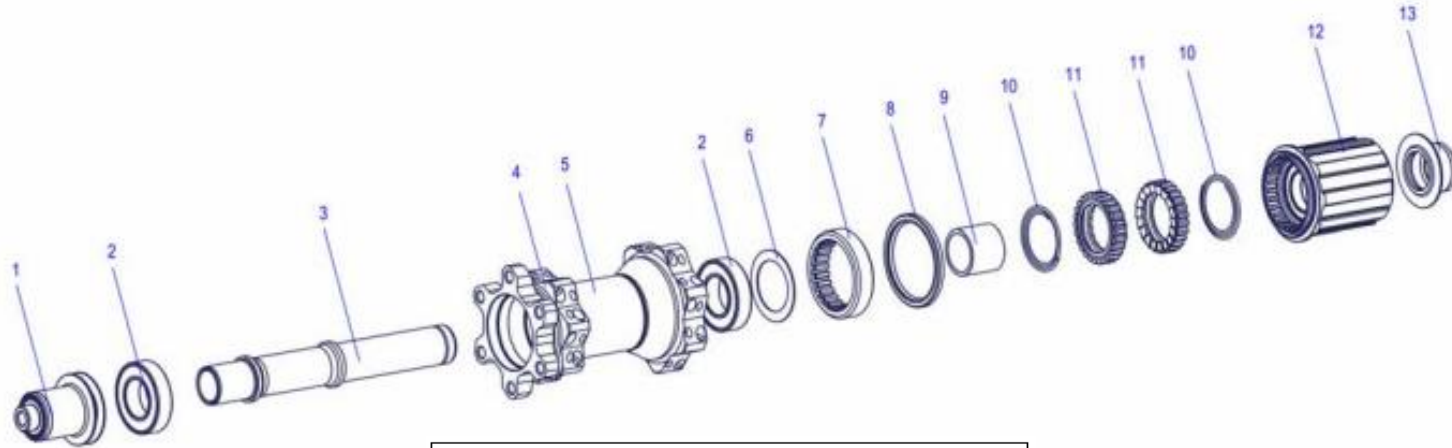
PART NO.	ITEM DESCRIPTION	QTY
<b>73866</b>	<b>WS, 90 AERO C SHIMANO RB 16/20</b>	<b>1</b>
<b>73868</b>	<b>W, 90 AERO C FRONT RB 16H</b>	<b>1</b>
20453	HUB, FRONT AERO-SLG 16H S PULL	1
20911	NIPPLE, HEX HIDDEN INTERNAL	16
21581	SPOKE, SPM CX-RAY 238MM SP BLK	16
63868	D RIM, INKJET, AERO 90 C 16H	1
<b>73869</b>	<b>W, 90 AERO C SHIMANO RB 20H</b>	<b>1</b>
20144	HUB, AERO-SLG 20H SHIM SP BLK	1
20911	NIPPLE, HEX HIDDEN INTERNAL	20
21585	SPOKE, SPM CX-RAY 252MM SP BLK	10
21586	SPOKE, SPM CX-RAY 254MM SP BLK	10
63869	D RIM, INKJET, AERO 90 C 20H	1
	<b>W ACC KIT, AERO C SHIMANO</b>	<b>1</b>
20816	SKEWER, QR FRONT UPPER LEVEL	1
20817	SKEWER, QR REAR UPPER LEVEL	1
20647	VALVE EXTENDER, 50MM STEM, TW	2
21880	BRAKE PAD,CRYO BL PWR SHIM 2PK	2
20363	RIM TAPE, VELOX 22mm	2
21190	0.9mm SPACER RING, SINGLE	2
85112	WHEEL BAG SINGLE, REYNOLDS	2
<b>73867</b>	<b>WS, 90 AERO C CAMPY RB 16/20H</b>	<b>1</b>
<b>73870</b>	<b>W, 90 AERO C CAMPY RB 20H</b>	<b>1</b>
20148	HUB, AERO-SLG 20H CAMPY SP	1
20798	BRAKE PAD,CRYO BL PWR CAMP 2PK	2



PART NO.	HUB COMPONENTS AND ACCESSORIES	QTY
20140	FREEHUB, DT 9/10/11 SHIM BLACK	
20141	FREEHUB BODY, DT CAMPY BLACK	
20652	FREEHUB, DT 240S 11SP ROAD KIT	
20191	FREEHUB, DT CONV SHIM TO CAMPY	
21242	END CAP FRONT AERO (PAIR)	
20700	KT AXLE & LOCK NUTS FRONT ROAD	
20173	BEARING, FRONT HUB 6802RS ABEC 5	2
20156	BEARING, 6902, ENDURO REAR HUB	2
20080	PLUG, AERO VALVE HOLE	
85139	WHEEL BAG DOUBLE, REYNOLDS	
85000	BRAKE PAD CRYO BL PWR SHIM 4PAK	
85008	BRAKE PAD CRYO BL PWR CAMPY 4PAK	

**WARNING:** The information contained herein is proprietary and confidential to Reynolds Cycling and Reynolds Cycling affiliates. This document is not intended for public distribution or disclosure. This document may be referenced and reproduced for and by Reynolds Cycling and Reynolds Cycling affiliates only.

## 2016 AERO RIM BRAKE REAR HUB: 46, 58, 72 & 90



1	NON-DRIVE SIDE END CAP
2	BEARING 6902RS
3	AXLE
4	HUB SHELL
5	END CAP DRIVE SIDE
6	BEARING COVER
7	RING NUT
8	HUB SHELL/ROTOR SEAL
9	AXLE SPACER
10	SPRING
11	RATCHET RING
11	RATCHET RING
10	SPRING
12	FREEHUB
13	DRIVE SIDE END CAP

**NOTE: SEE HUB COMPONENTS AND ACCESSORIES SECTION ON EACH PAGE FOR PART NUMBERS AND END CAP OPTIONS**

**WARNING:** The information contained herein is proprietary and confidential to Reynolds Cycling and Reynolds Cycling affiliates. This document is not intended for public distribution or disclosure. This document may be referenced and reproduced for and by Reynolds Cycling and Reynolds Cycling affiliates only.

# 2016 REYNOLDS AERO TUBULAR & DISC ROAD WHEELS



46 AERO T

58 AERO T

72 AERO T

46 AERO  
DISC

## 2016 46 AERO TUBULAR AERO ROAD

PART NO.	ITEM DESCRIPTION	QTY
74331	WS, 46 AERO T SHIMANO RB 16/20	1
74333	W, 46 AERO T FRONT RB 16H	1
20453	HUB, FRONT AERO-SLG 16H S PULL	1
20911	NIPPLE, HEX HIDDEN INTERNAL	16
21530	SPOKE, SPM CX-RAY 276MM SP BLK	16
63333	D RIM, INKJET AERO 46 T RB 16H	1
74334	W, 46 AERO T SHIMANO RB 20H	1
20144	HUB, AERO-SLG 20H SHIM SP BLK	1
20911	NIPPLE, HEX HIDDEN INTERNAL	20
21533	SPOKE, SPM CX-RAY 290MM SP BLK	10
21598	SPOKE, SPM CX-RAY 291MM SP BLK	10
63334	D RIM, INKJET AERO 46 T RB 20H	1
	<b>W ACC KIT, 46 AERO T</b>	<b>1</b>
20816	SKEWER, QR FRONT UPPER LEVEL	1
20817	SKEWER, QR REAR UPPER LEVEL	1
20647	VALVE EXTENDER, 50MM STEM, TW	2
21880	BRAKE PAD,CRYO BL PWR SHIM 2PK	2
21190	0.9mm SPACER RING, SINGLE	2
85112	WHEEL BAG SINGLE, REYNOLDS	2
74332	WS, 46 AERO T CAMPY RB 16/20H	1
74335	W, 46 AERO T CAMPY RB 20H	1
20148	HUB, AERO-SLG 20H CAMPY SP	1
20798	BRAKE PAD,CRYO BL PWR CAMP 2PK	2



PART NO.	HUB COMPONENTS AND ACCESSORIES	QTY
20140	FREEHUB, DT 9/10/11 SHIM BLACK	
20141	FREEHUB BODY, DT CAMPY BLACK	
20652	FREEHUB, DT 240S 11SP ROAD KIT	
20191	FREEHUB, DT CONV SHIM TO CAMPY	
21242	END CAP FRONT AERO (PAIR)	
20700	KT AXLE & LOCK NUTS FRONT ROAD	
20173	BEARING, FRONT HUB 6802RS ABEC 5	2
20156	BEARING, 6902, ENDURO REAR HUB	2
20080	PLUG, AERO VALVE HOLE	
85139	WHEEL BAG DOUBLE, REYNOLDS	
85000	BRAKE PAD CRYO BL PWR SHIM 4PAK	
85008	BRAKE PAD CRYO BL PWR CAMPY 4PAK	

**WARNING:** The information contained herein is proprietary and confidential to Reynolds Cycling and Reynolds Cycling affiliates. This document is not intended for public distribution or disclosure. This document may be referenced and reproduced for and by Reynolds Cycling and Reynolds Cycling affiliates only.

## 2016 58 AERO TUBULAR AERO ROAD

PART NO.	ITEM DESCRIPTION	QTY
74651	WS, 58 AERO T SHIMANO RB 16/20	1
74653	W, 58 AERO T FRONT RB 16H	1
20453	HUB, FRONT AERO-SLG 16H S PULL	1
20911	NIPPLE, HEX HIDDEN INTERNAL	16
21590	SPOKE, SPM CX-RAY 269MM SP BLK	16
63653	D RIM, INKJET, AERO 58 T 16H	1
74654	W, 58 AERO T SHIMANO RB 20H	1
20144	HUB, AERO-SLG 20H SHIM SP BLK	1
20911	NIPPLE, HEX HIDDEN INTERNAL	20
21593	SPOKE, SPM CX-RAY 280MM SP BLK	10
21595	SPOKE, SPM CX-RAY 282MM SP BLK	10
63654	D RIM, INKJET, AERO 58 T 20H	1
	<b>W ACC KIT, 58 AERO T</b>	<b>1</b>
20816	SKEWER, QR FRONT UPPER LEVEL	1
20817	SKEWER, QR REAR UPPER LEVEL	1
20647	VALVE EXTENDER, 50MM STEM, TW	2
21880	BRAKE PAD,CRYO BL PWR SHIM 2PK	2
21190	0.9mm SPACER RING, SINGLE	2
85112	WHEEL BAG SINGLE, REYNOLDS	2
74652	WS, 58 AERO T CAMPY RB 16/20H	1
74655	W, 58 AERO T CAMPY RB 20H	1
20148	HUB, AERO-SLG 20H CAMPY SP	1
20793	BRAKE PAD,CRYO BL PWR CAMP 4PK	1



PART NO.	HUB COMPONENTS AND ACCESSORIES	QTY
20140	FREEHUB, DT 9/10/11 SHIM BLACK	
20141	FREEHUB BODY, DT CAMPY BLACK	
20652	FREEHUB, DT 240S 11SP ROAD KIT	
20191	FREEHUB, DT CONV SHIM TO CAMPY	
21242	END CAP FRONT AERO (PAIR)	
20700	KT AXLE & LOCK NUTS FRONT ROAD	
20173	BEARING, FRONT HUB 6802RS ABEC 5	2
20156	BEARING, 6902, ENDURO REAR HUB	2
20080	PLUG, AERO VALVE HOLE	
85139	WHEEL BAG DOUBLE, REYNOLDS	
85000	BRAKE PAD CRYO BL PWR SHIM 4PAK	
85008	BRAKE PAD CRYO BL PWR CAMPY 4PAK	

**WARNING:** The information contained herein is proprietary and confidential to Reynolds Cycling and Reynolds Cycling affiliates. This document is not intended for public distribution or disclosure. This document may be referenced and reproduced for and by Reynolds Cycling and Reynolds Cycling affiliates only.



## 2016 72 AERO TUBULAR AERO ROAD

PART NO.	ITEM DESCRIPTION	QTY
<b>74831</b>	<b>WS, 72 AERO T SHIMANO RB 16/20</b>	<b>1</b>
<b>74833</b>	<b>W, 72 AERO T FRONT RB 16H</b>	<b>1</b>
20453	HUB, FRONT AERO-SLG 16H S PULL	1
20911	NIPPLE, HEX HIDDEN INTERNAL	16
21586	SPOKE, SPM CX-RAY 254MM SP BLK	16
63833	D RIM, INKJET, AERO 72 T 16H	1
<b>74834</b>	<b>W, 72 AERO T SHIMANO RB 20H</b>	<b>1</b>
20144	HUB, AERO-SLG 20H SHIM SP BLK	1
20911	NIPPLE, HEX HIDDEN INTERNAL	20
21589	SPOKE, SPM CX-RAY 268MM SP BLK	20
63834	D RIM, INKJET, AERO 72 T 20H	1
	<b>W KIT, AERO 72 T SHIMANO</b>	
20816	SKEWER, QR FRONT UPPER LEVEL	1
20817	SKEWER, QR REAR UPPER LEVEL	1
20647	VALVE EXTENDER, 50MM STEM, TW	2
21880	BRAKE PAD,CRYO BL PWR SHIM 2PK	2
21190	0.9mm SPACER RING, SINGLE	2
85112	WHEEL BAG SINGLE, REYNOLDS	2
<b>74832</b>	<b>WS, 72 AERO T CAMPY RB 16/20H</b>	<b>1</b>
<b>74835</b>	<b>W, 72 AERO T CAMPY RB 20H</b>	<b>1</b>
20148	HUB, AERO-SLG 20H CAMPY SP	1
20793	BRAKE PAD,CRYO BL PWR CAMP 4PK	1



PART NO.	HUB COMPONENTS AND ACCESSORIES	QTY
20140	FREEHUB, DT 9/10/11 SHIM BLACK	
20141	FREEHUB BODY, DT CAMPY BLACK	
20652	FREEHUB, DT 240S 11SP ROAD KIT	
20191	FREEHUB, DT CONV SHIM TO CAMPY	
21242	END CAP FRONT AERO (PAIR)	
20700	KT AXLE & LOCK NUTS FRONT ROAD	
20173	BEARING, FRONT HUB 6802RS ABEC 5	2
20156	BEARING, 6902, ENDURO REAR HUB	2
20080	PLUG, AERO VALVE HOLE	
85139	WHEEL BAG DOUBLE, REYNOLDS	
85000	BRAKE PAD CRYO BL PWR SHIM 4PAK	
85008	BRAKE PAD CRYO BL PWR CAMPY 4PAK	

**WARNING:** The information contained herein is proprietary and confidential to Reynolds Cycling and Reynolds Cycling affiliates. This document is not intended for public distribution or disclosure. This document may be referenced and reproduced for and by Reynolds Cycling and Reynolds Cycling affiliates only.

## 2016 46 AERO DISC AERO ROAD

PART NO.	ITEM DESCRIPTION	QTY
75341	WS, 46 AERO C SHIMANO DB 24/24	1
75343	W, 46 AERO C FRONT DB 24H	1
20324	HUB, QL-Y2LF CL DB FRT 24H SP	1
20911	NIPPLE, HEX HIDDEN INTERNAL	24
21531	SPOKE, SPM CX-RAY 284MM SP BLK	12
21596	SPOKE, SPM CX-RAY 283MM SP BLK	12
65344	D RIM, INKJET AERO 46 C DB 24H	1
75344	W, 46 AERO C SHIMANO DB 24H	1
20325	HUB, QL-Y2LR CL DB SHIM 24H SP	1
20911	NIPPLE, HEX HIDDEN INTERNAL	24
21531	SPOKE, SPM CX-RAY 284MM SP BLK	12
21594	SPOKE, SPM CX-RAY 281MM SP BLK	12
65344	D RIM, INKJET AERO 46 C DB 24H	1
	<b>W ACC KIT,AERO46/58/72C DB SHI</b>	1
20363	RIM TAPE, VELOX 22mm x 2M ROLL	2
20647	VALVE EXTENDER, 50MM STEM, TW	2
20813	SKEWER, QR FRONT MID LEVEL	1
20815	SKEWER, QR REAR MID LEVEL MTN	1
21190	0.9mm SPACER RING, SINGLE	2
85112	WHEEL BAG SINGLE, REYNOLDS	2
75342	WS, 46 AERO C CAMPY DB 24/24H	1
75345	W, 46 AERO C CAMPY DB 24H	1
21306	HUB, PERF DISC BRK CAMP 24H SP	1

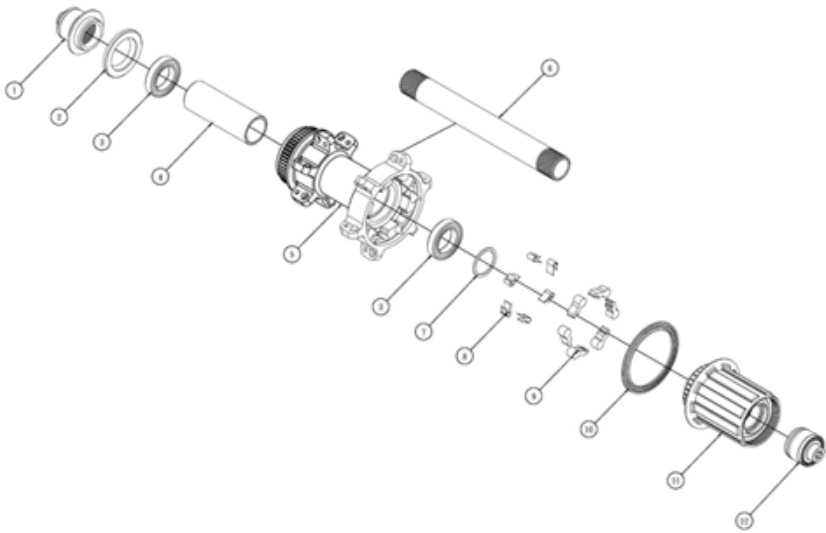


PART NO.	HUB COMPONENTS AND ACCESSORIES	QTY
20699	FREEHUB, REY MTN 9/10/11 SHIM	
20072	FREEHUB BODY, KT CAMPY 9/10/11	
21290	FREEHUB, XD ROTOR ONLY ROAD DB	
21252	END CAP, SET FRONT 12x100mm TA	
20322	END CAP, QL-Y2LF 15MM TA	
21882	END CAP, QR FRONT BLK QL-Y2LF	
20323	END CAP, QL-Y2LR, 142 X 12 TA	
21883	END CAP, QR REAR BLK QL-Y2LR	
20695	AXLE, REAR DB HUB 15MM	
20157	BEARING, 6802, ABEC 3, 2RS	2
20157	BEARING, 6802, ABEC 3, 2RS	2
21289	ADAPTER, CL TO IS6-BOLT	2
21790	LOCK RING, CENTER LOCK FLAT	2

**WARNING:** The information contained herein is proprietary and confidential to Reynolds Cycling and Reynolds Cycling affiliates. This document is not intended for public distribution or disclosure. This document may be referenced and reproduced for and by Reynolds Cycling and Reynolds Cycling affiliates only.

# 2016 46 AERO DISC REAR HUB

QL-Y2LF (Front) & QL-Y2LR (Rear) Road Disc Center Lock



			Shimano
Item	Description	QTY	Part No.
1	End Cap (NDS)	1	See Table
2	Internal Seal	1	-
3	Bearing (6802)	1	20173
4	Bushing	1	-
5	Hub Shell	1	-
6	Axle	1	
7	Washer	1	20699
8	Spring	6	-
9	Pawl	6	-
10	Internal Seal	1	20699
11	Cassette Body	1	20699
12	End Cap (DS)	1	See Table

Hub Options	
Part No.	Description
20320	HUB, FRT DB CL 24H SP 15mm TA
20324	HUB, QL-Y2LF CL DB FRT 24H SP
20321	HUB, SHIM DB CL 24H SP 142/12

End Caps	
Part No.	Description
21252	END CAP, SET FRONT 12x100mm TA
20322	END CAP, QL-Y2LF 15MM TA
20323	END CAP, QL-Y2LR, 142 X 12 TA

**WARNING:** The information contained herein is proprietary and confidential to Reynolds Cycling and Reynolds Cycling affiliates. This document is not intended for public distribution or disclosure. This document may be referenced and reproduced for and by Reynolds Cycling and Reynolds Cycling affiliates only.

# 2016 REYNOLDS PERFORMANCE ROAD WHEELS



**ATTACK**



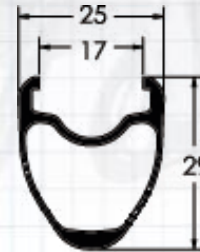
**ASSAULT SLG**



**STRIKE SLG**

# 2016 ATTACK TUBELESS CLINCHER PERFORMANCE ROAD

PART NO.	ITEM DESCRIPTION	QTY
<b>75280</b>	<b>WS, ATTACK C SHIM RB TL 20/24H</b>	<b>1</b>
<b>75282</b>	<b>W, ATTACK C FRONT RB TL 20H</b>	<b>1</b>
20311	NIPPLE,EXT BLACK ALLOY SQ HEAD	20
20450	HUB, PERFORMANCE FRONT 20H SP	1
21557	SPOKE, SPM CXSPNT 282MM SP BLK	20
65282	D RIM, INKJET ATTK C RB TL 20H	1
<b>75283</b>	<b>W, ATTACK C SHIMANO RB TL 24H</b>	<b>1</b>
20311	NIPPLE,EXT BLACK ALLOY SQ HEAD	24
20452	HUB, PERFORMANCE SHIM 24H SP	1
21557	SPOKE, SPM CXSPNT 282MM SP BLK	12
21558	SPOKE, SPM CXSPNT 284MM SP BLK	12
65283	D RIM, INKJET ATTK C RB TL 24H	1
	<b>ACC KIT,ATTACK C RB SHIMANO</b>	<b>1</b>
21011	VALVE STEM, TUBELESS 45MM LONG	2
20905	RIM TAPE, TUBELESS 22MM 11 INSTALLED	1
20813	SKEWER, QR FRONT MID LEVEL	1
20814	SKEWER, QR REAR MID LEVEL	1
21880	BRAKE PAD,CRYO BL PWR SHIM 2PK	2
21190	0.9mm SPACER RING, SINGLE	2
<b>75281</b>	<b>WS, ATTACK C CAMPY RB TL 20/24</b>	<b>1</b>
<b>75284</b>	<b>W, ATTACK C CAMPY RB TL 24H</b>	<b>1</b>
20458	HUB, PERFORMANCE CAMPY 24H SP	1
20798	BRAKE PAD, CYRO BL PWR CAMP 2PK	2



PART NO.	HUB COMPONENTS AND ACCESSORIES	QTY
21154	FREEHUB, REY PERF 9/10/11 SHIM	1
20072	FREEHUB, REYNOLDS 9/10/11 CAMPY	1
21242	END CAP KIT FRONT HUB (PAIR)	1
21243	END CAP KIT REAR HUB (PAIR)	1
20700	REPLACEMENT AXLE FRONT HUB	1
20698	REPLACEMENT AXLE REAR HUB	1
20173	BEARING, FRONT HUB 6802RS	2
20156	BEARING, 6902RS REAR HUB DRIVE	1
20173	BEARING, 6802RS REAR HUB N/D SIDE	1

**WARNING:** The information contained herein is proprietary and confidential to Reynolds Cycling and Reynolds Cycling affiliates. This document is not intended for public distribution or disclosure. This document may be referenced and reproduced for and by Reynolds Cycling and Reynolds Cycling affiliates only.

# 2016 ASSAULT TUBELESS CLINCHER PERFORMANCE ROAD

PART NO.	ITEM DESCRIPTION	QTY
75381	WS, ASSAULT C SHIM RB TL 20/24	1
75383	W, ASSAULT C FRONT RB TL 20H	1
20311	NIPPLE,EXT BLACK ALLOY SQ HEAD	20
20450	HUB, PERFORMANCE FRONT 20H SP	1
21553	SPOKE, SPM CXSPNT 270MM SP BLK	20
65383	D RIM, INKJET ASLT C RB TL 20H	1
75384	W, ASSAULT C SHIMANO RB TL 24H	1
20311	NIPPLE,EXT BLACK ALLOY SQ HEAD	24
20452	HUB, PERFORMANCE SHIM 24H SP	1
21553	SPOKE, SPM CXSPNT 270MM SP BLK	12
21554	SPOKE, SPM CXSPNT 272MM SP BLK	12
65384	D RIM, INKJET ASLT C RB TL 24H	1
	<b>ACC KIT, ASLT C RB TL R SHIM</b>	
21012	VALVE STEM, TUBELESS 55MM LONG	2
20905	RIM TAPE, TUBELESS 22MM 11 INSTALLED	1
20813	SKEWER, QR FRONT MID LEVEL	1
20814	SKEWER, QR REAR MID LEVEL	1
21880	BRAKE PAD,CRYO BL PWR SHIM 2PK	2
21190	0.9mm SPACER RING, SINGLE	2
75382	WS, ASSAULT C CAMPY RB TL 20/24	1
75385	W, ASSAULT C CAMPY RB TL 24H	1
20458	HUB, PERFORMANCE CAMPY 24H SP	1
20798	BRAKE PAD, CYRO BL PWR CAMP 2PK	2



PART NO.	HUB COMPONENTS AND ACCESSORIES	QTY
21154	FREEHUB, REY PERF 9/10/11 SHIM	1
20072	FREEHUB, REYNOLDS 9/10/11 CAMPY	1
21242	END CAP KIT FRONT HUB (PAIR)	1
21243	END CAP KIT REAR HUB (PAIR)	1
20700	REPLACEMENT AXLE FRONT HUB	1
20698	REPLACEMENT AXLE REAR HUB	1
20173	BEARING, FRONT HUB 6802RS	2
20156	BEARING, 6902RS REAR HUB DRIVE	1
20173	BEARING, 6802RS REAR HUB N/D SIDE	1

**WARNING:** The information contained herein is proprietary and confidential to Reynolds Cycling and Reynolds Cycling affiliates. This document is not intended for public distribution or disclosure. This document may be referenced and reproduced for and by Reynolds Cycling and Reynolds Cycling affiliates only.

## 2016 ASSAULT TUBULAR PERFORMANCE ROAD

PART NO.	ITEM DESCRIPTION	QTY
<b>74376</b>	<b>WS, ASSAULT T SHIMANO RB 20/24</b>	<b>1</b>
<b>74378</b>	<b>W, ASSAULT T FRONT 20H</b>	<b>1</b>
20311	NIPPLE,EXT BLACK ALLOY SQ HEAD	20
20450	HUB, PERFORMANCE FRONT 20H SP	1
21553	SPOKE, SPM CXSPNT 270MM SP BLK	20
64378	D RIM, INKJET ASLT T RB 20H	1
<b>74379</b>	<b>W, ASSAULT T SHIMANO 24H</b>	<b>1</b>
20311	NIPPLE,EXT BLACK ALLOY SQ HEAD	24
20452	HUB, PERFORMANCE SHIM 24H SP	1
21553	SPOKE, SPM CXSPNT 270MM SP BLK	12
21554	SPOKE, SPM CXSPNT 272MM SP BLK	12
64379	D RIM, INKJET ASLT T RB 24H	1
<b>85311</b>	<b>W ACC KIT, ASLT T 25MM SHIM</b>	<b>1</b>
20813	SKEWER, QR FRONT MID LEVEL	1
20814	SKEWER, QR REAR MID LEVEL	1
21190	0.9mm SPACER RING, SINGLE	2
21880	BRAKE PAD,CRYO BL PWR SHIM 2PK	2
<b>74377</b>	<b>WS, ASSAULT T CAMPY RB 20/24H</b>	<b>1</b>
<b>74380</b>	<b>W, ASSAULT T CAMPY 24H</b>	<b>1</b>
20458	HUB, PERFORMANCE CAMPY 24H SP	1
20798	BRAKE PAD,CRYO BL PWR CAMP 2PK	2



PART NO.	HUB COMPONENTS AND ACCESSORIES	QTY
21154	FREEHUB, REY PERF 9/10/11 SHIM	1
20072	FREEHUB, REYNOLDS 9/10/11 CAMPY	1
21242	END CAP KIT FRONT HUB (PAIR)	1
21243	END CAP KIT REAR HUB (PAIR)	1
20700	REPLACEMENT AXLE FRONT HUB	1
20698	REPLACEMENT AXLE REAR HUB	1
20173	BEARING, FRONT HUB 6802RS	2
20156	BEARING, 6902RS REAR HUB DRIVE	1
20173	BEARING, FRONT HUB 6802RS	1

**WARNING:** The information contained herein is proprietary and confidential to Reynolds Cycling and Reynolds Cycling affiliates. This document is not intended for public distribution or disclosure. This document may be referenced and reproduced for and by Reynolds Cycling and Reynolds Cycling affiliates only.

# 2016 STRIKE TUBELESS CLINCHER PERFORMANCE ROAD

PART NO.	ITEM DESCRIPTION	QTY
<b>75481</b>	<b>WS, STRIKE C SHIM RB TL 16/20H</b>	<b>1</b>
<b>75483</b>	<b>W, STRIKE C FRONT RB TL 16H</b>	<b>1</b>
20311	NIPPLE,EXT BLACK ALLOY SQ HEAD	16
20449	HUB, PERFORMANCE FRONT 16H SP	1
21550	SPOKE, SPM CXSPNT 252MM SP BLK	16
65483	D RIM, INKJET,STRK C RB TL 16H	1
<b>75484</b>	<b>W, STRIKE C SHIMANO RB TL 20H</b>	<b>1</b>
20311	NIPPLE,EXT BLACK ALLOY SQ HEAD	20
20451	HUB, PERFORMANCE SHIM 20H SP	1
21549	SPOKE, SPM CXSPNT 244MM SP BLK	10
21550	SPOKE, SPM CXSPNT 252MM SP BLK	10
65484	D RIM, INKJET,STRK C RB TL 20H	1
	<b>W ACC KIT,STRIKE C RB TL R SHI</b>	
21013	VALVE STEM, TUBELESS 75MM LONG	2
20905	RIM TAPE, TUBELESS 22MM 11 M	1
20813	SKEWER, QR FRONT MID LEVEL	1
20814	SKEWER, QR REAR MID LEVEL	1
21880	BRAKE PAD,CRYO BL PWR SHIM 2PK	2
21190	0.9mm SPACER RING, SINGLE	2
<b>75482</b>	<b>WS, STRIKE C CAMPY RB TL 16/20</b>	<b>1</b>
<b>75485</b>	<b>W, STRIKE C CAMPY RB TL 20H</b>	<b>1</b>
20457	HUB, PERFORMANCE CAMPY 20H SP	1
20798	BRAKE PAD,CRYO BL PWR CAMP 2PK	2



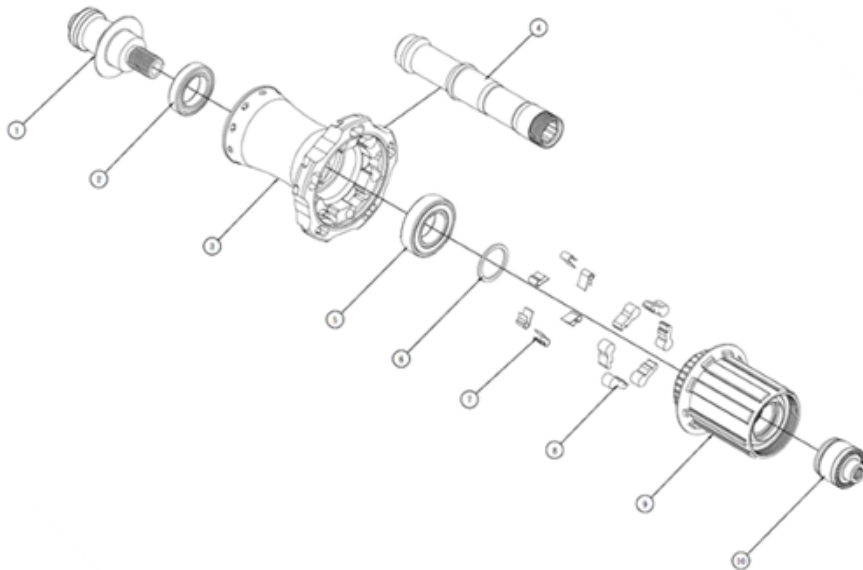
PART NO.	HUB COMPONENTS AND ACCESSORIES	QTY
21154	FREEHUB, REY PERF 9/10/11 SHIM	1
20072	FREEHUB, REYNOLDS 9/10/11 CAMPY	1
21242	END CAP KIT FRONT HUB (PAIR)	1
21243	END CAP KIT REAR HUB (PAIR)	1
20700	REPLACEMENT AXLE FRONT HUB	1
20698	REPLACEMENT AXLE REAR HUB	1
20173	BEARING, FRONT HUB 6802RS	2
20156	BEARING, 6902RS REAR HUB DRIVE	1
20173	BEARING, FRONT HUB 6802RS	1

**WARNING:** The information contained herein is proprietary and confidential to Reynolds Cycling and Reynolds Cycling affiliates. This document is not intended for public distribution or disclosure. This document may be referenced and reproduced for and by Reynolds Cycling and Reynolds Cycling affiliates only.



# 2016 PERFORMANCE REAR HUB: ATTACK, ASSAULT, STRIKE

LS1R/LS5R (Performance Shimano/Campagnolo)



Item	Description	QTY	Campagnolo Shimano	
			Part No.	Part No.
1	End Cap (NDS)	1	21243	21243
2	Bearing (6802)	1	20173	20173
3	Hub Shell	1	-	-
4	Axle	1	20698	20698
5	Bearing (6902RS)	1	20156	20156
6	Washer	1	-	-
7	Spring	6	-	-
8	Pawl	6	-	-
9	Cassette Body Set	1	20072	21154
10	End Cap (DS)	1	21243	21243

HUB OPTIONS

Part No.	Description
20451	HUB, PERFORMANCE SHIM 20H SP (LS1R)
20452	HUB, PERFORMANCE SHIM 24H SP (LS1R)
20457	HUB, PERFORMANCE CAMPY 20H SP (LS1R)
20458	HUB, PERFORMANCE CAMPY 24H SP (LS1R)

FREEHUB CONVERSION KITS

Part No.	Description
20052	Shimano (freehub, washer (6), seal, end caps, 11 speed)
20072	Campy (freehub, washer (6), seal, no end caps, 9/10/11 spd)

**WARNING:** The information contained herein is proprietary and confidential to Reynolds Cycling and Reynolds Cycling affiliates. This document is not intended for public distribution or disclosure. This document may be referenced and reproduced for and by Reynolds Cycling and Reynolds Cycling affiliates only.

# 2016 REYNOLDS PERFORMANCE DISC ROAD WHEELS



**ATTACK DISC**



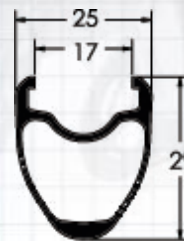
**ASSAULT SLG DISC**



**ATR - GRAVEL**

# 2016 ATTACK TUBELESS CLINCHER PERFORMANCE DISC ROAD

PART NO.	ITEM DESCRIPTION	QTY
75271	WS, ATTACK C SHIM DB TL 24/24H	1
75273	W, ATTACK C FRONT DB TL 24H	1
20311	NIPPLE,EXT BLACK ALLOY SQ HEAD	24
20324	HUB, QL-Y2LF CL DB FRT 24H SP	1
21561	SPOKE, SPM CXSPNT 289MM SP BLK	12
21562	SPOKE, SPM CXSPNT 291MM SP BLK	12
65274	D RIM, INKJET ATTK C DB TL 24H	1
75274	W, ATTACK C SHIMANO DB TL 24H	1
20311	NIPPLE,EXT BLACK ALLOY SQ HEAD	24
20325	HUB, QL-Y2LR CL DB SHIM 24H SP	1
21561	SPOKE, SPM CXSPNT 289MM SP BLK	12
21562	SPOKE, SPM CXSPNT 291MM SP BLK	12
65274	D RIM, INKJET ATTK C DB TL 24H	1
	<b>W ACC KIT,ATTACK C DB TL</b>	
20903	VALVE STEM, XC 37MM LONG	2
20905	RIM TAPE, TUBELESS 22MM 11 M	1
20813	SKEWER, QR FRONT MID LEVEL	1
20815	SKEWER, QR REAR MID LEVEL MTN	1
21190	0.9mm SPACER RING, SINGLE	2
75272	WS, ATTACK C CAMPY DB TL 24/24	
75275	W, ATTACK C CAMPY DB TL 24H	
21306	HUB, PERF DISC BRK CAMP 24H SP	1



PART NO.	HUB COMPONENTS AND ACCESSORIES	QTY
21154	FREEHUB, REY PERF 9/10/11 SHIM	1
20072	FREEHUB BODY, KT CAMPY 9/10/11	
21290	FREEHUB, XD ROTOR ONLY ROAD DB	
21252	END CAP, SET FRONT 12x100mm TA	
20322	END CAP, QL-Y2LF 15MM TA	
21882	END CAP, QR FRONT BLK QL-Y2LF	
20323	END CAP, QL-Y2LR, 142 X 12 TA	
21883	END CAP, QR REAR BLK QL-Y2LR	
20695	AXLE, REAR DB HUB 15MM	
20157	BEARING, 6802, ABEC 3, 2RS	3
20157	BEARING, 6802, ABEC 3, 2RS	2
21289	ADAPTER, CL TO IS6-BOLT	2
21790	LOCK RING, CENTER LOCK FLAT	2

**WARNING:** The information contained herein is proprietary and confidential to Reynolds Cycling and Reynolds Cycling affiliates. This document is not intended for public distribution or disclosure. This document may be referenced and reproduced for and by Reynolds Cycling and Reynolds Cycling affiliates only.

# 2016 ASSAULT TUBELESS CLINCHER PERFORMANCE DISC ROAD

PART NO.	ITEM DESCRIPTION	QTY
75366	WS, ASSAULT C SHIM DB TL 24/24	1
75368	W, ASSAULT C FRONT DB TL 24H	1
20311	NIPPLE,EXT BLACK ALLOY SQ HEAD	24
20324	HUB, QL-Y2LF CL DB FRT 24H SP	1
21555	SPOKE, SPM CXSPNT 278MM SP BLK	12
21556	SPOKE, SPM CXSPNT 280MM SP BLK	12
65369	D RIM, INKJET ASLT C DB TL 24H	1
75369	W, ASSAULT C SHIM DB TL 24H	1
20311	NIPPLE,EXT BLACK ALLOY SQ HEAD	24
20325	HUB, QL-Y2LR CL DB SHIM 24H SP	1
21555	SPOKE, SPM CXSPNT 278MM SP BLK	12
21556	SPOKE, SPM CXSPNT 280MM SP BLK	12
65369	D RIM, INKJET ASLT C DB TL 24H	1
	<b>W ACC KIT,ASLT C DB TL R SHI</b>	
21012	VALVE STEM, TUBELESS 55MM LONG	2
20905	RIM TAPE, TUBELESS 22MM 11 M	1
20813	SKEWER, QR FRONT MID LEVEL	1
20815	SKEWER, QR REAR MID LEVEL MTN	1
21190	0.9mm SPACER RING, SINGLE	2
78362	WS, ASSAULT C TL DB CAMP 24/24	
78365	W, ASSAULT C TL DB CAMP 24H	
21306	HUB, PERF DISC BRK CAMP 24H SP	1



PART NO.	HUB COMPONENTS AND ACCESSORIES	QTY
21154	FREEHUB, REY PERF 9/10/11 SHIM	1
20072	FREEHUB BODY, KT CAMPY 9/10/11	
21290	FREEHUB, XD ROTOR ONLY ROAD DB	
21252	END CAP, SET FRONT 12x100mm TA	
20322	END CAP, QL-Y2LF 15MM TA	
21882	END CAP, QR FRONT BLK QL-Y2LF	
20323	END CAP, QL-Y2LR, 142 X 12 TA	
21883	END CAP, QR REAR BLK QL-Y2LR	
20695	AXLE, REAR DB HUB 15MM	
20157	BEARING, 6802, ABEC 3, 2RS	3
20157	BEARING, 6802, ABEC 3, 2RS	2
21289	ADAPTER, CL TO IS6-BOLT	2
21790	LOCK RING, CENTER LOCK FLAT	2

**WARNING:** The information contained herein is proprietary and confidential to Reynolds Cycling and Reynolds Cycling affiliates. This document is not intended for public distribution or disclosure. This document may be referenced and reproduced for and by Reynolds Cycling and Reynolds Cycling affiliates only.

## 2016 ASSAULT TUBULAR PERFORMANCE DISC ROAD

PART NO.	ITEM DESCRIPTION	QTY
75371	WS, ASSAULT T SHIM DB 24/24H	1
75373	W, ASSAULT T FRONT DB 24H	1
20311	NIPPLE,EXT BLACK ALLOY SQ HEAD	24
20324	HUB, QL-Y2LF CL DB FRT 24H SP	1
21555	SPOKE, SPM CXSPNT 278MM SP BLK	12
21556	SPOKE, SPM CXSPNT 280MM SP BLK	12
65374	D RIM, INKJET ASSAULT T DB 24H	1
75374	W, ASSAULT DISC T SHIM 24H	1
20311	NIPPLE,EXT BLACK ALLOY SQ HEAD	24
20325	HUB, QL-Y2LR CL DB SHIM 24H SP	1
21555	SPOKE, SPM CXSPNT 278MM SP BLK	12
21556	SPOKE, SPM CXSPNT 280MM SP BLK	12
65374	D RIM, INKJET ASSAULT T DB 24H	1
	<b>W ACC KIT, ASLT T</b>	
20813	SKEWER, QR FRONT MID LEVEL	1
20815	SKEWER, QR REAR MID LEVEL MTN	1
21190	0.9mm SPACER RING, SINGLE	2



PART NO.	HUB COMPONENTS AND ACCESSORIES	QTY
21154	FREEHUB, REY PERF 9/10/11 SHIM	1
20072	FREEHUB BODY, KT CAMPY 9/10/11	
21290	FREEHUB, XD ROTOR ONLY ROAD DB	
21252	END CAP, SET FRONT 12x100mm TA	
20322	END CAP, QL-Y2LF 15MM TA	
21882	END CAP, QR FRONT BLK QL-Y2LF	
20323	END CAP, QL-Y2LR, 142 X 12 TA	
21883	END CAP, QR REAR BLK QL-Y2LR	
20695	AXLE, REAR DB HUB 15MM	
20157	BEARING, FRONT HUB 6802	3
20157	BEARING, 6802RS REAR HUB	2
21289	ADAPTER, CL TO IS6-BOLT	2
21790	LOCK RING, CENTER LOCK FLAT	2

**WARNING:** The information contained herein is proprietary and confidential to Reynolds Cycling and Reynolds Cycling affiliates. This document is not intended for public distribution or disclosure. This document may be referenced and reproduced for and by Reynolds Cycling and Reynolds Cycling affiliates only.

## 2016 ATR: ALL TERRAIN ROAD GRAVEL / DISC ROAD

PART NO.	ITEM DESCRIPTION	QTY
<b>80991</b>	<b>WS, 29AM ATR GRAVEL CL 24/24</b>	<b>1</b>
<b>80911</b>	<b>W, 29AM ATR GRAVEL FRONT CL 24</b>	<b>1</b>
20324	HUB, QL-Y2LF CL DB FRT 24H SP	1
20996	NIPPLE, EXTERNAL ALLOY BLACK	24
21449	DECAL, 29AM ATR GRAVEL	1
21681	SPOKE, SPM LASER 288MM SP BLK	12
21682	SPOKE, SPM LASER 289MM SP BLK	12
51543	D RIM, MTN 29er TUBELESS C 24H	1
<b>80912</b>	<b>W, 29AM ATR GRAVEL REAR CL 24</b>	<b>1</b>
20325	HUB, QL-Y2LR CL DB SHIM 24H SP	1
20996	NIPPLE, EXTERNAL ALLOY BLACK	24
21449	DECAL, 29AM ATR GRAVEL	1
21679	SPOKE, SPM LASER 286MM SP BLK	12
21683	SPOKE, SPM LASER 290MM SP BLK	12
51543	D RIM, MTN 29er TUBELESS C 24H	1
	<b>W ACC KIT, 29AM ATR GRAVEL</b>	
20904	VALVE STEM, AM 45MM LONG	2
20907	RIM TAPE, TUBELESS 25MM 11 M	1
20813	SKEWER, QR FRONT MID LEVEL	1
20815	SKEWER, QR REAR MID LEVEL MTN	1
21190	0.9mm SPACER RING, SINGLE	2

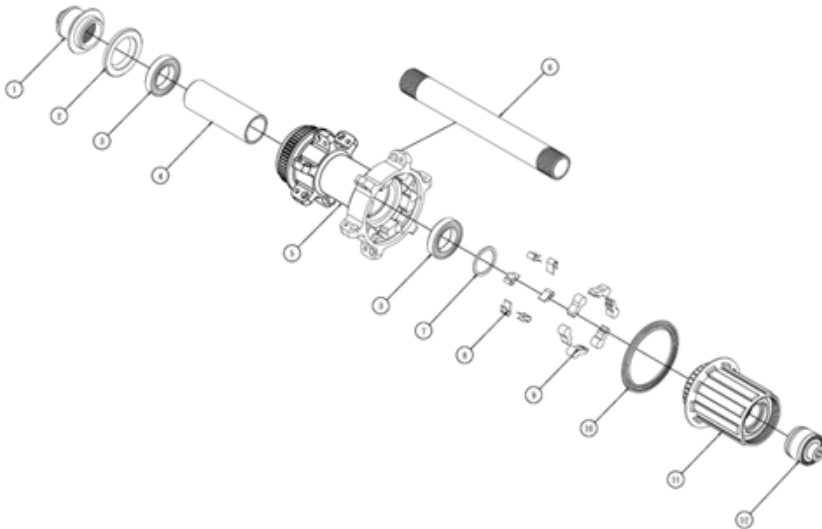


PART NO.	HUB COMPONENTS AND ACCESSORIES	QTY
21154	FREEHUB, REY PERF 9/10/11 SHIM	1
20072	FREEHUB BODY, KT CAMPY 9/10/11	
21290	FREEHUB, XD ROTOR ONLY ROAD DB	
21252	END CAP, SET FRONT 12x100mm TA	
20322	END CAP, QL-Y2LF 15MM TA	
21882	END CAP, QR FRONT BLK QL-Y2LF	
20323	END CAP, QL-Y2LR, 142 X 12 TA	
21883	END CAP, QR REAR BLK QL-Y2LR	
20695	AXLE, REAR DB HUB 15MM	
20157	BEARING, 6802, ABEC 3, 2RS	3
20157	BEARING, 6802, ABEC 3, 2RS	2
21289	ADAPTER, CL TO IS6-BOLT	2
21790	LOCK RING, CENTER LOCK FLAT	2

**WARNING:** The information contained herein is proprietary and confidential to Reynolds Cycling and Reynolds Cycling affiliates. This document is not intended for public distribution or disclosure. This document may be referenced and reproduced for and by Reynolds Cycling and Reynolds Cycling affiliates only.

# 2016 PERFORMANCE DISC REAR HUB: ATTACK, ASSAULT, ATR

QL-Y2LF (Front) & QL-Y2LR (Rear) Road Disc Center Lock



			Shimano
Item	Description	QTY	Part No.
1	End Cap (NDS)	1	See Table
2	Internal Seal	1	-
3	Bearing (6802)	1	20173
4	Bushing	1	-
5	Hub Shell	1	-
6	Axle	1	
7	Washer	1	20699
8	Spring	6	-
9	Pawl	6	-
10	Internal Seal	1	20699
11	Cassette Body	1	20699
12	End Cap (DS)	1	See Table

Hub Options	
Part No.	Description
20320	HUB, FRT DB CL 24H SP 15mm TA
20324	HUB, QL-Y2LF CL DB FRT 24H SP
20321	HUB, SHIM DB CL 24H SP 142/12

End Caps	
Part No.	Description
21252	END CAP, SET FRONT 12x100mm TA
20322	END CAP, QL-Y2LF 15MM TA
20323	END CAP, QL-Y2LR, 142 X 12 TA

**WARNING:** The information contained herein is proprietary and confidential to Reynolds Cycling and Reynolds Cycling affiliates. This document is not intended for public distribution or disclosure. This document may be referenced and reproduced for and by Reynolds Cycling and Reynolds Cycling affiliates only.

# 2016 REYNOLDS ALLOY ROAD WHEELS



**STRATUS PRO**



**STRATUS PRO DISC**



## 2016 STRATUS PRO ALLOY ROAD

PART NO.	ITEM DESCRIPTION	QTY
<b>74721</b>	<b>WS, STRATUS PRO SHIM RB 20/24H</b>	<b>1</b>
<b>74723</b>	<b>W, STRATUS PRO RB FRONT 20H</b>	<b>1</b>
20454	HUB, FRONT AERO-SLG 20H S PULL	1
20311	NIPPLE,EXT BLACK ALLOY SQ HEAD	24
21557	SPOKE, SPM CXSPNT 282MM SP BLK	24
21443	RIM, STRATUS PRO 20H RB SLEEVE	1
<b>74724</b>	<b>W, STRATUS PRO RB SHIM 24H</b>	<b>1</b>
21325	HUB, ALLOY ROAD SP SHIM 24H	1
20311	NIPPLE,EXT BLACK ALLOY SQ HEAD	24
21560	SPOKE, SPM CXSPNT 288MM SP BLK	12
21563	SPOKE, SPM CXSPNT 292MM SP BLK	12
21444	RIM, STRATUS PRO 24H RB SLEEVE	1
	<b>W ACC KIT, STRATUS PRO RB</b>	
20905	RIM TAPE, TUBELESS 18MM	1
20813	SKEWER, QR FRONT MID LEVEL	1
20814	SKEWER, QR REAR MID LEVEL	1
21190	0.9mm SPACER RING, SINGLE	2
<b>74722</b>	<b>WS, STRATUS PRO CAMP RB 20/24H</b>	
<b>74725</b>	<b>W, STRATUS PRO RB CAMPY 24H</b>	
20329	HUB, ALLOY ROAD SP CAMPY 24H	

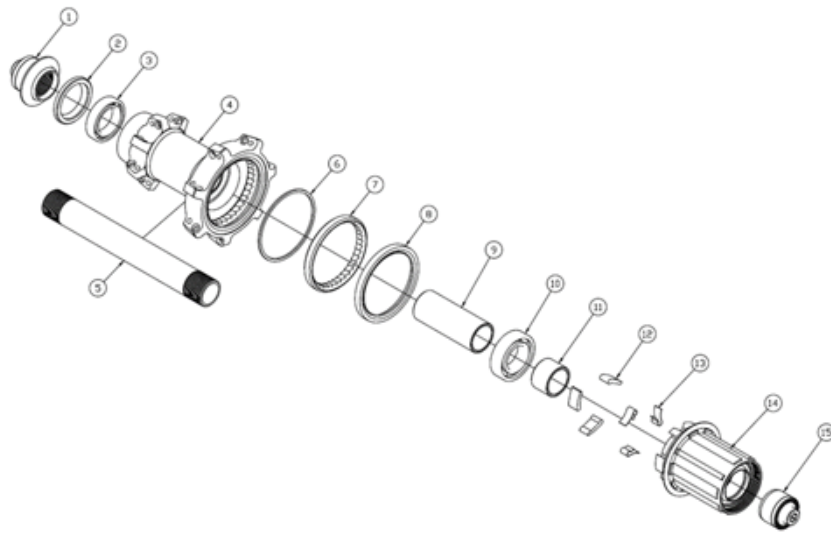


PART NO.	HUB COMPONENTS AND ACCESSORIES	QTY
20594	FREEHUB KIT, KT SHIMANO 11SP	
20599	FREEHUB KIT, KT CAMPY STRAT	
21242	END CAP, 2013 FRT PERF REPLACE	
21243	END CAP, 2013 REAR PERF REPLAC	
20700	KT AXLE & LOCK NUTS FRONT ROAD	
20698	KT AXLE, REAR PERFORMANCE HUB	
20157	BEARING, FRONT HUB 6802RS	2
20157	BEARING, 6802RS REAR DRIVE SIDE	1
20157	BEARING, 6802RS REAR N/D SIDE	1

**WARNING:** The information contained herein is proprietary and confidential to Reynolds Cycling and Reynolds Cycling affiliates. This document is not intended for public distribution or disclosure. This document may be referenced and reproduced for and by Reynolds Cycling and Reynolds Cycling affiliates only.

# 2016 STRATUS PRO REAR HUB

QL-2LAR/QL2LDR (Stratus Pro Shimano/Campagnolo)



Item	Description	QTY	Campagnolo	Shimano
			Part NO.	Part NO.
1	End Cap (NDS)	1	-	-
2	Internal Seal	1	-	-
3	Bearing (6802)	1	20173	20173
4	Hub Shell	1	-	-
5	Axle	1	-	-
6	Washer	1	-	-
7	Ratchet Ring	1	-	-
8	Internal Seal	1	-	-
9	Bushing	1	-	-
10	Bearing (6902)	1	20173	20173
11	Bushing	1	-	-
12	Pawl	1	-	-
13	Spring	1	-	-
14	Cassette Body	1	See Table	See Table
15	End Cap (DS)	1	-	-

Hub Options

Part NO.	Description
21325	HUB, ALLOY RD SP SHIM 24H
20329	HUB, ALLOY RD SP CAMPY 24 H

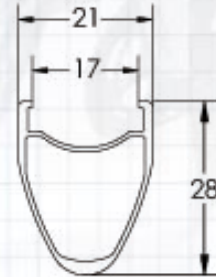
Freehub Options

Part NO.	Description
20594	SHIMANO FREEHUB KIT
20599	CAMPY FREEHUB KIT

**WARNING:** The information contained herein is proprietary and confidential to Reynolds Cycling and Reynolds Cycling affiliates. This document is not intended for public distribution or disclosure. This document may be referenced and reproduced for and by Reynolds Cycling and Reynolds Cycling affiliates only.

## 2016 STRATUS PRO ALLOY DISC ROAD

PART NO.	ITEM DESCRIPTION	QTY
75726	WS, STRA PRO SHIM DB CL 24/24H	1
75728	W, STRATUS PRO FRONT DB CL 24H	1
20324	HUB, QL-Y2LF CL DB FRT 24H SP	1
20996	NIPPLE, EXTERNAL ALLOY BLACK	24
21445	RIM, STRATUS PRO 24H DB SLEEVE	1
21631	SPOKE, SPM RACE 287MM SP BLK	12
21633	SPOKE, SPM RACE 289MM SP BLK	12
75729	W,STRATUS PRO SHIMANO DB CL 24	1
20325	HUB, QL-Y2LR CL DB SHIM 24H SP	1
20996	NIPPLE, EXTERNAL ALLOY BLACK	24
21445	RIM, STRATUS PRO 24H DB SLEEVE	1
21629	SPOKE, SPM RACE 285MM SP BLK	12
21632	SPOKE, SPM RACE 288MM SP BLK	12
	<b>W ACC KIT, C DB TL R SHI</b>	<b>1</b>
20905	RIM TAPE, TUBELESS 22MM 11 M	1
21011	VALVE STEM, TUBELESS 45MM LONG	2
21190	0.9mm SPACER RING, SINGLE	2
20813	SKEWER, QR FRONT MID LEVEL	1
20815	SKEWER, QR REAR MID LEVEL MTN	1
74727	WS, STRATUS PRO CAMPY DB 24/24	
74730	W, STRATUS PRO DB CAMPY 24H	
20316	HUB, PERF DISC BRK CAMP 24H SP	

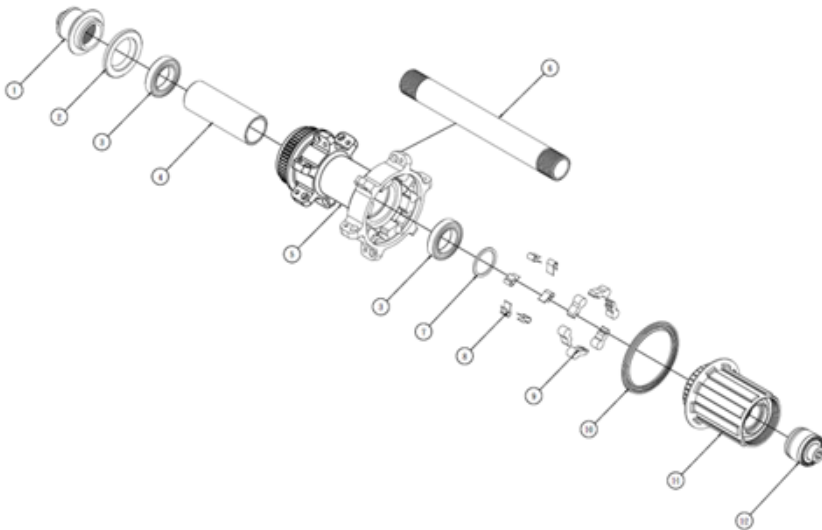


PART NO.	HUB COMPONENTS AND ACCESSORIES	QTY
21154	FREEHUB, REY PERF 9/10/11 SHIM	1
20072	FREEHUB BODY, KT CAMPY 9/10/11	
21290	FREEHUB, XD ROTOR ONLY ROAD DB	
21252	END CAP, SET FRONT 12x100mm TA	
20322	END CAP, QL-Y2LF 15MM TA	
21882	END CAP, QR FRONT BLK QL-Y2LF	
20323	END CAP, QL-Y2LR, 142 X 12 TA	
21883	END CAP, QR REAR BLK QL-Y2LR	
20695	AXLE, REAR DB HUB 15MM	
20157	BEARING, 6802, ABEC 3, 2RS	3
20157	BEARING, 6802, ABEC 3, 2RS	2
21289	ADAPTER, CL TO IS6-BOLT	2
21287	LOCK RING, CENTER LOCK	2

**WARNING:** The information contained herein is proprietary and confidential to Reynolds Cycling and Reynolds Cycling affiliates. This document is not intended for public distribution or disclosure. This document may be referenced and reproduced for and by Reynolds Cycling and Reynolds Cycling affiliates only.

# 2016 STRATUS PRO DISC REAR HUB

QL-Y2LF (Front) & QL-Y2LR (Rear) Road Disc Center Lock



			Shimano
Item	Description	QTY	Part No.
1	End Cap (NDS)	1	See Table
2	Internal Seal	1	-
3	Bearing (6802)	1	20173
4	Bushing	1	-
5	Hub Shell	1	-
6	Axle	1	
7	Washer	1	20699
8	Spring	6	-
9	Pawl	6	-
10	Internal Seal	1	20699
11	Cassette Body	1	20699
12	End Cap (DS)	1	See Table

Hub Options	
Part No.	Description
20320	HUB, FRT DB CL 24H SP 15mm TA
20324	HUB, QL-Y2LF CL DB FRT 24H SP
20321	HUB, SHIM DB CL 24H SP 142/12

End Caps	
Part No.	Description
21252	END CAP, SET FRONT 12x100mm TA
20322	END CAP, QL-Y2LF 15MM TA
20323	END CAP, QL-Y2LR, 142 X 12 TA

**WARNING:** The information contained herein is proprietary and confidential to Reynolds Cycling and Reynolds Cycling affiliates. This document is not intended for public distribution or disclosure. This document may be referenced and reproduced for and by Reynolds Cycling and Reynolds Cycling affiliates only.

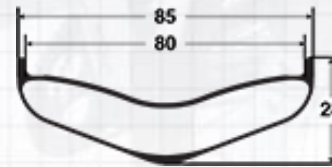
# 2016 REYNOLDS CARBON FATBIKE MOUNTAIN WHEEL



**DEAN**

# 2016 DEAN 26 FATBIKE 177MM TUBELESS CARBON MOUNTAIN

PART NO.	ITEM DESCRIPTION	QTY
<b>76801</b>	<b>WS, FATBIKE 80 177 32/32H</b>	<b>1</b>
<b>76803</b>	<b>W, FATBIKE 80 F 150 32 HOLE</b>	<b>1</b>
20311	NIPPLE,EXT BLACK ALLOY SQ HEAD	32
21712	SPOKE, SPM RACE 255MM JB BLK	16
21715	SPOKE, SPM RACE 258MM JB BLK	16
21820	DECAL, REY FATBIKE BLUE/BLUE	1
21832	HUB, i9 FB JB IS6 32H 150X12TA	1
56800	D RIM, FATBIKE 80MM 32H	1
<b>76804</b>	<b>W, FATBIKE 80 R XD 177 32H</b>	<b>1</b>
20311	NIPPLE,EXT BLACK ALLOY SQ HEAD	32
21711	SPOKE, SPM RACE 254MM JB BLK	16
21712	SPOKE, SPM RACE 255MM JB BLK	16
21820	DECAL, REY FATBIKE BLUE/BLUE	1
21833	HUB, i9 FB JB IS6 XD 32H 177	1
56800	D RIM, FATBIKE 80MM 32H	1
	<b>W ACC KIT, REY DH/FATBIKE TL</b>	
20908	RIM TAPE, TUBELESS 28MM 11 M	1
20904	VALVE STEM, AM 45MM LONG	2

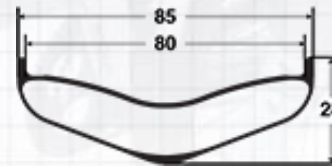


PART NO.	HUB COMPONENTS AND ACCESSORIES	QTY
21844	FREEHUB, i9 SHIM 10SP COMPLETE	
21845	FREEHUB, i9 XD 11SP COMPLETE	
20165	BEARING, FRONT ENDURO 18307 ABEC 5	2
20166	BEARING, REAR ENDURO 31803 ABEC 5	1
20167	BEARING, REAR ENDURO 61803 ABEC 5	1
20168	BEARING, REAR ENDURO 61903 ABEC 5	2

**WARNING:** The information contained herein is proprietary and confidential to Reynolds Cycling and Reynolds Cycling affiliates. This document is not intended for public distribution or disclosure. This document may be referenced and reproduced for and by Reynolds Cycling and Reynolds Cycling affiliates only.

# 2016 DEAN 26 FATBIKE 197MM TUBELESS CARBON MOUNTAIN

PART NO.	ITEM DESCRIPTION	QTY
<b>76802</b>	<b>WS, FATBIKE 80 197 32/32H</b>	<b>1</b>
<b>76803</b>	<b>W, FATBIKE 80 F 150 32 HOLE</b>	<b>1</b>
20311	NIPPLE,EXT BLACK ALLOY SQ HEAD	32
21712	SPOKE, SPM RACE 255MM JB BLK	16
21715	SPOKE, SPM RACE 258MM JB BLK	16
21820	DECAL, REY FATBIKE BLUE/BLUE	1
21832	HUB, i9 FB JB IS6 32H 150X12TA	1
56800	D RIM, FATBIKE 80MM 32H	1
<b>76805</b>	<b>W, FATBIKE 80 R XD 197 32H</b>	<b>1</b>
20311	NIPPLE,EXT BLACK ALLOY SQ HEAD	32
21712	SPOKE, SPM RACE 255MM JB BLK	16
21715	SPOKE, SPM RACE 258MM JB BLK	16
21820	DECAL, REY FATBIKE BLUE/BLUE	1
21834	HUB, i9 FB JB IS6 XD 32H 197	1
56800	D RIM, FATBIKE 80MM 32H	1
	<b>W ACC KIT, REY DH/FATBIKE TL</b>	
20908	RIM TAPE, TUBELESS 28MM 11 M	1
20904	VALVE STEM, AM 45MM LONG	2



PART NO.	HUB COMPONENTS AND ACCESSORIES	QTY
21844	FREEHUB, i9 SHIM 10SP COMPLETE	
21845	FREEHUB, i9 XD 11SP COMPLETE	
20165	BEARING, FRONT ENDURO 18307 ABEC 5	2
20166	BEARING, REAR ENDURO 31803 ABEC 5	1
20167	BEARING, REAR ENDURO 61803 ABEC 5	1
20168	BEARING, REAR ENDURO 61903 ABEC 5	2

**WARNING:** The information contained herein is proprietary and confidential to Reynolds Cycling and Reynolds Cycling affiliates. This document is not intended for public distribution or disclosure. This document may be referenced and reproduced for and by Reynolds Cycling and Reynolds Cycling affiliates only.

# 2016 REYNOLDS BLACK LABEL CARBON 27.5 MOUNTAIN WHEELS



**27.5 TRAIL**



**27.5 ENDURO**

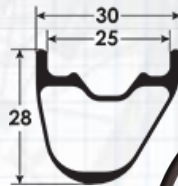


**27.5 PLUS**



# 2016 BLACK LABEL 27.5 TRAIL TUBELESS CARBON MOUNTAIN

PART NO.	ITEM DESCRIPTION	QTY
76501	WS, 27.5 TRAIL BL ASYM 28/28H	1
76503	W, 27.5 TRAIL BL ASYM FRNT 28H	1
21826	HUB, MTN i9 SP CL 28H 100x15TA	1
20311	NIPPLE,EXT BLACK ALLOY SQ HEAD	28
21595	SPOKE, SPM CX-RAY 282MM SP BLK	28
21493	DECAL, 27.5 TRAIL BL ASYM	1
56503	D RIM, 27.5 TRAIL BL ASYM 28H	1
76504	W, 27.5 TRAIL BL ASYM SHIM 28H	1
21828	HUB, MTN i9 SP CLSHIM28H142x12	1
20311	NIPPLE,EXT BLACK ALLOY SQ HEAD	28
21594	SPOKE, SPM CX-RAY 282MM SP BLK	28
21493	DECAL, 27.5 TRAIL BL ASYM	1
56503	D RIM, 27.5 TRAIL BL ASYM 28H	1
	<b>W ACC KIT, MTN ASYM TL</b>	
20908	RIM TAPE, TUBELESS 28MM 11 M	1
20904	VALVE STEM, AM 45MM LONG	2



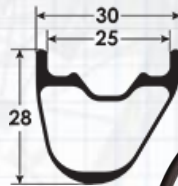
Boost Wheel Set		
76506	WS, 27.5 TRL ASYM BST 28/28H	1
21827	HUB, MTN i9 SP CL 28H 110x15TA	1
21829	HUB, MTN i9 SP CLSHIM28H148x12	1

PART NO.	HUB COMPONENTS AND ACCESSORIES	QTY
21844	FREEHUB, i9 SHIM 10SP COMPLETE	
21845	FREEHUB, i9 XD 11SP COMPLETE	
21858	FREEHUB, i9 RB/DB CAMPY 11 SPD	
21840	END CAP, i9 FRONT 15mm KIT	
21841	END CAP, i9 REAR MTN 12mm TA	
21842	END CAP,i9 FRT QR CL 5x100 KIT	
21843	END CAP i9, REAR CL QR (PAIR)	
21848	AXLE, i9 MTN FRT CL 100mm HUB	
21849	AXLE, i9 MTN FRT CL 110mm HUB	
21850	AXLE, i9 MTN REAR CL12x142 HUB	
21851	AXLE, i9 MTN REAR CL12x148 HUB	
20165	BEARING, ENDURO 18307 ABEC 5	2
20166	BEARING, ENDURO 31803 ABEC 5	1
20167	BEARING, ENDURO 61803 ABEC 5	1
20168	BEARING, ENDURO 61903 ABEC 5	2

**WARNING:** The information contained herein is proprietary and confidential to Reynolds Cycling and Reynolds Cycling affiliates. This document is not intended for public distribution or disclosure. This document may be referenced and reproduced for and by Reynolds Cycling and Reynolds Cycling affiliates only.

# 2016 BLACK LABEL 27.5 TRAIL BST TUBELESS CARBON MOUNTAIN

PART NO.	ITEM DESCRIPTION	QTY
76506	WS, 27.5 TRL ASYM BST 28/28H	1
76508	W, 27.5 TRL ASYM BST FRNT 28H	1
21826	HUB, MTN i9 SP CL 28H 100x15TA	1
20311	NIPPLE,EXT BLACK ALLOY SQ HEAD	28
21595	SPOKE, SPM CX-RAY 282MM SP BLK	28
21493	DECAL, 27.5 TRAIL BL ASYM	1
56503	D RIM, 27.5 TRAIL BL ASYM 28H	1
76509	W, 27.5 TRL ASYM BST REAR 28H	1
21828	HUB, MTN i9 SP CLSHIM28H142x12	1
20311	NIPPLE,EXT BLACK ALLOY SQ HEAD	28
21594	SPOKE, SPM CX-RAY 282MM SP BLK	28
21493	DECAL, 27.5 TRAIL BL ASYM	1
56503	D RIM, 27.5 TRAIL BL ASYM 28H	1
	<b>W ACC KIT, MTN ASYM TL</b>	
20908	RIM TAPE, TUBELESS 28MM 11 M	1
20904	VALVE STEM, AM 45MM LONG	2



PART NO.	HUB COMPONENTS AND ACCESSORIES	QTY
21844	FREEHUB, i9 SHIM 10SP COMPLETE	
21845	FREEHUB, i9 XD 11SP COMPLETE	
21858	FREEHUB, i9 RB/DB CAMPY 11 SPD	
21840	END CAP, i9 FRONT 15mm KIT	
21841	END CAP, i9 REAR MTN 12mm TA	
21842	END CAP,i9 FRT QR CL 5x100 KIT	
21843	END CAP i9, REAR CL QR (PAIR)	
21848	AXLE, i9 MTN FRT CL 100mm HUB	
21849	AXLE, i9 MTN FRT CL 110mm HUB	
21850	AXLE, i9 MTN REAR CL12x142 HUB	
21851	AXLE, i9 MTN REAR CL12x148 HUB	
20165	BEARING, ENDURO 18307 ABEC 5	2
20166	BEARING, ENDURO 31803 ABEC 5	1
20167	BEARING, ENDURO 61803 ABEC 5	1
20168	BEARING, ENDURO 61903 ABEC 5	2

**WARNING:** The information contained herein is proprietary and confidential to Reynolds Cycling and Reynolds Cycling affiliates. This document is not intended for public distribution or disclosure. This document may be referenced and reproduced for and by Reynolds Cycling and Reynolds Cycling affiliates only.

# 2016 BLACK LABEL 27.5 ENDURO TUBELESS CARBON MOUNTAIN

PART NO.	ITEM DESCRIPTION	QTY
76511	WS, 27.5 ENDURO BL ASYM 28/28H	1
76513	W,27.5 ENDURO BL ASYM FRNT 28H	1
20311	NIPPLE,EXT BLACK ALLOY SQ HEAD	28
21494	DECAL, 27.5 ENDURO BL ASYM	1
21594	SPOKE, SPM CX-RAY 281MM SP BLK	14
21595	SPOKE, SPM CX-RAY 282MM SP BLK	14
21826	HUB, MTN i9 SP CL 28H 100x15TA	1
56513	D RIM, 27.5 ENDURO BL ASYM 28H	1
76514	W,27.5 ENDURO BL ASYM SHIM 28H	1
20311	NIPPLE,EXT BLACK ALLOY SQ HEAD	28
21494	DECAL, 27.5 ENDURO BL ASYM	1
21594	SPOKE, SPM CX-RAY 281MM SP BLK	28
21828	HUB, MTN i9 SP CLSHIM28H142x12	1
56513	D RIM, 27.5 ENDURO BL ASYM 28H	1
	<b>W ACC KIT, MTN 27.5 &amp; 29 ASYM</b>	
20908	RIM TAPE, TUBELESS 28MM 11 M	1
20904	VALVE STEM, AM 45MM LONG	2
	<b>Boost Wheel Set</b>	
76516	WS, 27.5 END ASYM BST 28/28H	1
21827	HUB, MTN i9 SP CL 28H 110x15TA	1
21829	HUB, MTN i9 SP CLSHIM28H148x12	1

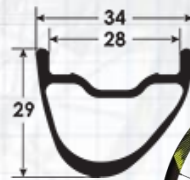


PART NO.	HUB COMPONENTS AND ACCESSORIES	QTY
21844	FREEHUB, i9 SHIM 10SP COMPLETE	
21845	FREEHUB, i9 XD 11SP COMPLETE	
21858	FREEHUB, i9 RB/DB CAMPY 11 SPD	
21840	END CAP, i9 FRONT 15mm KIT	
21841	END CAP, i9 REAR MTN 12mm TA	
21842	END CAP,i9 FRT QR CL 5x100 KIT	
21843	END CAP i9, REAR CL QR (PAIR)	
21848	AXLE, i9 MTN FRT CL 100mm HUB	
21849	AXLE, i9 MTN FRT CL 110mm HUB	
21850	AXLE, i9 MTN REAR CL12x142 HUB	
21851	AXLE, i9 MTN REAR CL12x148 HUB	
20165	BEARING, ENDURO 18307 ABEC 5	2
20166	BEARING, ENDURO 31803 ABEC 5	1
20167	BEARING, ENDURO 61803 ABEC 5	1
20168	BEARING, ENDURO 61903 ABEC 5	2

**WARNING:** The information contained herein is proprietary and confidential to Reynolds Cycling and Reynolds Cycling affiliates. This document is not intended for public distribution or disclosure. This document may be referenced and reproduced for and by Reynolds Cycling and Reynolds Cycling affiliates only.

# 2016 BLACK LABEL 27.5 ENDURO BST TUBELESS CARBON MOUNTAIN

PART NO.	ITEM DESCRIPTION	QTY
76516	WS, 27.5 END ASYM BST 28/28H	1
76518	W, 27.5 END ASYM BST FRNT 28H	1
20311	NIPPLE,EXT BLACK ALLOY SQ HEAD	28
21494	DECAL, 27.5 ENDURO BL ASYM	1
21593	SPOKE, SPM CX-RAY 280MM SP BLK	14
21595	SPOKE, SPM CX-RAY 282MM SP BLK	14
21827	HUB, MTN i9 SP CL 28H 110x15TA	1
56513	D RIM, 27.5 ENDURO BL ASYM 28H	1
76519	W, 27.5 END ASYM BST REAR 28H	1
20311	NIPPLE,EXT BLACK ALLOY SQ HEAD	28
21494	DECAL, 27.5 ENDURO BL ASYM	1
21594	SPOKE, SPM CX-RAY 281MM SP BLK	14
21595	SPOKE, SPM CX-RAY 282MM SP BLK	14
21829	HUB, MTN i9 SP CLSHIM28H148x12	1
56513	D RIM, 27.5 ENDURO BL ASYM 28H	1
	<b>W ACC KIT, MTN 27.5 &amp; 29 ASYM</b>	
20908	RIM TAPE, TUBELESS 28MM 11 M	1
20904	VALVE STEM, AM 45MM LONG	2



PART NO.	HUB COMPONENTS AND ACCESSORIES	QTY
21844	FREEHUB, i9 SHIM 10SP COMPLETE	
21845	FREEHUB, i9 XD 11SP COMPLETE	
21858	FREEHUB, i9 RB/DB CAMPY 11 SPD	
21840	END CAP, i9 FRONT 15mm KIT	
21841	END CAP, i9 REAR MTN 12mm TA	
21842	END CAP,i9 FRT QR CL 5x100 KIT	
21843	END CAP i9, REAR CL QR (PAIR)	
21848	AXLE, i9 MTN FRT CL 100mm HUB	
21849	AXLE, i9 MTN FRT CL 110mm HUB	
21850	AXLE, i9 MTN REAR CL12x142 HUB	
21851	AXLE, i9 MTN REAR CL12x148 HUB	
20165	BEARING, ENDURO 18307 ABEC 5	2
20166	BEARING, ENDURO 31803 ABEC 5	1
20167	BEARING, ENDURO 61803 ABEC 5	1
20168	BEARING, ENDURO 61903 ABEC 5	2

**WARNING:** The information contained herein is proprietary and confidential to Reynolds Cycling and Reynolds Cycling affiliates. This document is not intended for public distribution or disclosure. This document may be referenced and reproduced for and by Reynolds Cycling and Reynolds Cycling affiliates only.

# 2016 BLACK LABEL 27.5 PLUS TUBELESS CARBON MOUNTAIN

PART NO.	ITEM DESCRIPTION	QTY
76521	<b>WS, 27.5 PLUS BL 28/28H</b>	1
76523	<b>W, 27.5 PLUS BL FRONT 28H</b>	1
20311	NIPPLE,EXT BLACK ALLOY SQ HEAD	28
21495	DECAL, 27.5 PLUS BL	1
21596	SPOKE, SPM CX-RAY 283MM SP BLK	14
21605	SPOKE, SPM CX-RAY 285MM SP BLK	14
21827	HUB, MTN i9 SP CL 28H 110x15TA	1
56523	D RIM, 27.5 PLUS BL 28H	1
76524	<b>W, 27.5 PLUS BL SHIMANO 28H</b>	1
20311	NIPPLE,EXT BLACK ALLOY SQ HEAD	28
21495	DECAL, 27.5 PLUS BL	1
21531	SPOKE, SPM CX-RAY 284MM SP BLK	28
21829	HUB, MTN i9 SP CLSHIM28H148x12	1
56523	D RIM, 27.5 PLUS BL 28H	1
	<b>W ACC KIT, MTN 27.5 PLUS</b>	
20904	VALVE STEM, AM 45MM LONG	2
20908	RIM TAPE, TUBELESS 28MM 11 M	1
21289	ADAPTER, CL TO IS6-BOLT	2
21287	LOCK RING, CENTER LOCK	1



PART NO.	HUB COMPONENTS AND ACCESSORIES	QTY
21844	FREEHUB, i9 SHIM 10SP COMPLETE	
21845	FREEHUB, i9 XD 11SP COMPLETE	
21858	FREEHUB, i9 RB/DB CAMPY 11 SPD	
21840	END CAP, i9 FRONT 15mm KIT	
21841	END CAP, i9 REAR MTN 12mm TA	
21842	END CAP, i9 FRT QR CL 5x100 KIT	
21848	AXLE, i9 MTN FRT CL 100mm HUB	
21849	AXLE, i9 MTN FRT CL 110mm HUB	
21850	AXLE, i9 MTN REAR CL12x142 HUB	
21851	AXLE, i9 MTN REAR CL12x148 HUB	
20165	BEARING, ENDURO FRONT HUB 18307	2
20166	BEARING, ENDURO FREEHUB BB31803	1
20167	BEARING, ENDURO REAR BB61803	1
20168	BEARING, ENDURO REAR BB61903	2

**WARNING:** The information contained herein is proprietary and confidential to Reynolds Cycling and Reynolds Cycling affiliates. This document is not intended for public distribution or disclosure. This document may be referenced and reproduced for and by Reynolds Cycling and Reynolds Cycling affiliates only.

# 2016 REYNOLDS BLACK LABEL CARBON 29ER MOUNTAIN WHEELS



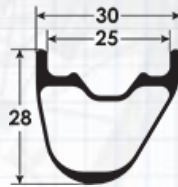
**29 TRAIL**



**29 ENDURO**

# 2016 BLACK LABEL 29 TRAIL TUBELESS CARBON MOUNTAIN

PART NO.	ITEM DESCRIPTION	QTY
76576	WS, 29ER TRAIL BL ASYM 28/28H	1
76578	W, 29ER TRAIL BL ASYM FRNT 28H	1
20311	NIPPLE,EXT BLACK ALLOY SQ HEAD	28
20920	RIM TAPE,TL 28MM 5.5M INSTALED	1
21497	DECAL, 29ER TRAIL BL ASYM	1
21602	SPOKE, SPM CX-RAY 300MM SP BLK	14
21603	SPOKE, SPM CX-RAY 301MM SP BLK	14
21826	HUB, MTN i9 SP CL 28H 100x15TA	1
56578	D RIM, 29ER TRAIL BL ASYM 28H	1
85513	W ACC KIT, MTN ASYM TL FRONT	1
76579	W, 29ER TRAIL BL ASYM SHIM 28H	1
20311	NIPPLE,EXT BLACK ALLOY SQ HEAD	28
20920	RIM TAPE,TL 28MM 5.5M INSTALED	1
21497	DECAL, 29ER TRAIL BL ASYM	1
21602	SPOKE, SPM CX-RAY 300MM SP BLK	14
21603	SPOKE, SPM CX-RAY 301MM SP BLK	14
21828	HUB, MTN i9 SP CLSHIM28H142x12	1
56578	D RIM, 29ER TRAIL BL ASYM 28H	1
85514	W ACC KIT, MTN ASYM TL REAR	1



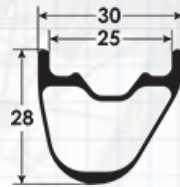
**Boost Wheel Set**  
**76581 WS, 29ER TRL ASYM BST 28/28H**

PART NO.	HUB COMPONENTS AND ACCESSORIES	QTY
21844	FREEHUB, i9 SHIM 10SP COMPLETE	
21845	FREEHUB, i9 XD 11SP COMPLETE	
21858	FREEHUB, i9 RB/DB CAMPY 11 SPD	
21840	END CAP, i9 FRONT 15mm KIT	
21841	END CAP, i9 REAR MTN 12mm TA	
21842	END CAP,i9 FRT QR CL 5x100 KIT	
21843	END CAP i9, REAR CL QR (PAIR)	
21848	AXLE, i9 MTN FRT CL 100mm HUB	
21849	AXLE, i9 MTN FRT CL 110mm HUB	
21850	AXLE, i9 MTN REAR CL12x142 HUB	
21851	AXLE, i9 MTN REAR CL12x148 HUB	
20165	BEARING, ENDURO FRONT HUB 18307	2
20166	BEARING, ENDURO FREEHUB BB31803	1
20167	BEARING, ENDURO REAR BB61803	1
20168	BEARING, ENDURO REAR BB61903	2
21289	ADAPTER, CL TO IS6-BOLT	2
21287	LOCK RING,CENTER LOCK	1

REYNOLDS' TECHNICAL SERVICE PROGRAM  
 The information contained herein is proprietary and confidential to Reynolds Cycling and Reynolds Cycling affiliates. This document is not intended for public distribution or disclosure. This document may be referenced and reproduced for and by Reynolds Cycling and Reynolds Cycling affiliates only.

# 2016 BLACK LABEL 29 TRAIL BST TUBELESS CARBON MOUNTAIN

PART NO.	ITEM DESCRIPTION	QTY
<b>76581</b>	<b>WS, 29ER TRL ASYM BST 28/28H</b>	<b>1</b>
<b>76583</b>	<b>W, 29ER TRL ASYM BST FRNT 28H</b>	<b>1</b>
20311	NIPPLE,EXT BLACK ALLOY SQ HEAD	28
21497	DECAL, 29ER TRAIL BL ASYM	1
21602	SPOKE, SPM CX-RAY 300MM SP BLK	14
21603	SPOKE, SPM CX-RAY 301MM SP BLK	14
21827	HUB, MTN i9 SP CL 28H 110x15TA	1
56578	D RIM, 29ER TRAIL BL ASYM 28H	1
<b>76584</b>	<b>W, 29ER TRL ASYM BST REAR 28H</b>	<b>1</b>
20311	NIPPLE,EXT BLACK ALLOY SQ HEAD	28
21497	DECAL, 29ER TRAIL BL ASYM	1
21602	SPOKE, SPM CX-RAY 300MM SP BLK	14
21603	SPOKE, SPM CX-RAY 301MM SP BLK	14
21829	HUB, MTN i9 SP CLSHIM28H148x12	1
56578	D RIM, 29ER TRAIL BL ASYM 28H	1
	<b>W ACC KIT, MTN ASYM TL</b>	
20904	VALVE STEM, AM 45MM LONG	2
20908	RIM TAPE, TUBELESS 28MM 11 M	1



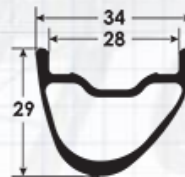
PART NO.	HUB COMPONENTS AND ACCESSORIES	QTY
21844	FREEHUB, i9 SHIM 10SP COMPLETE	
21845	FREEHUB, i9 XD 11SP COMPLETE	
21858	FREEHUB, i9 RB/DB CAMPY 11 SPD	
21840	END CAP, i9 FRONT 15mm KIT	
21841	END CAP, i9 REAR MTN 12mm TA	
21842	END CAP,i9 FRT QR CL 5x100 KIT	
21843	END CAP i9, REAR CL QR (PAIR)	
21848	AXLE, i9 MTN FRT CL 100mm HUB	
21849	AXLE, i9 MTN FRT CL 110mm HUB	
21850	AXLE, i9 MTN REAR CL12x142 HUB	
21851	AXLE, i9 MTN REAR CL12x148 HUB	
20165	BEARING, ENDURO FRONT HUB 18307	2
20166	BEARING, ENDURO FREEHUB BB31803	1
20167	BEARING, ENDURO REAR BB61803	1
20168	BEARING, ENDURO REAR BB61903	2
21289	ADAPTER, CL TO IS6-BOLT	2
21287	LOCK RING,CENTER LOCK	1

REYNOLDS' TECHNICAL SERVICE PROGRAM  
 The information contained herein is proprietary and confidential to Reynolds Cycling and Reynolds Cycling affiliates. This document is not intended for public distribution or disclosure. This document may be referenced and reproduced for and by Reynolds Cycling and Reynolds Cycling affiliates only.



# 2016 BLACK LABEL 29 ENDURO TUBELESS CARBON MOUNTAIN

PART NO.	ITEM DESCRIPTION	QTY
76591	WS, 29ER ENDURO BL ASYM 28/28H	1
76593	W,29ER ENDURO BL ASYM FRNT 28H	1
20311	NIPPLE,EXT BLACK ALLOY SQ HEAD	28
21601	SPOKE, SPM CX-RAY 299MM SP BLK	14
21603	SPOKE, SPM CX-RAY 301MM SP BLK	14
21826	HUB, MTN i9 SP CL 28H 100x15TA	1
21878	DECAL, 29ER ENDURO BL ASYM	1
56593	D RIM, 29ER ENDURO BL ASYM 28H	1
76594	W,29ER ENDURO BL ASYM SHIM 28H	1
20311	NIPPLE,EXT BLACK ALLOY SQ HEAD	28
21602	SPOKE, SPM CX-RAY 300MM SP BLK	28
21828	HUB, MTN i9 SP CLSHIM28H142x12	1
21878	DECAL, 29ER ENDURO BL ASYM	1
56593	D RIM, 29ER ENDURO BL ASYM 28H	1
	<b>W ACC KIT, MTN ASYM TL</b>	
20904	VALVE STEM, AM 45MM LONG	2
20908	RIM TAPE, TUBELESS 28MM 11 M	1



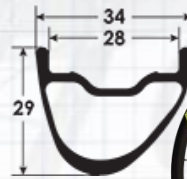
Boost Wheel Set		
76596	WS, 29ER END ASYM BST 28/28H	1

PART NO.	HUB COMPONENTS AND ACCESSORIES	QTY
21844	FREEHUB, i9 SHIM 10SP COMPLETE	
21845	FREEHUB, i9 XD 11SP COMPLETE	
21858	FREEHUB, i9 RB/DB CAMPY 11 SPD	
21840	END CAP, i9 FRONT 15mm KIT	
21841	END CAP, i9 REAR MTN 12mm TA	
21842	END CAP,i9 FRT QR CL 5x100 KIT	
21843	END CAP i9, REAR CL QR (PAIR)	
21848	AXLE, i9 MTN FRT CL 100mm HUB	
21849	AXLE, i9 MTN FRT CL 110mm HUB	
21850	AXLE, i9 MTN REAR CL12x142 HUB	
21851	AXLE, i9 MTN REAR CL12x148 HUB	
20165	BEARING, ENDURO FRONT HUB 18307	2
20166	BEARING, ENDURO FREEHUB BB31803	1
20167	BEARING, ENDURO REAR BB61803	1
20168	BEARING, ENDURO REAR BB61903	2
21289	ADAPTER, CL TO IS6-BOLT	2
21287	LOCK RING, CENTER LOCK	1

**WARNING:** The information contained herein is proprietary and confidential to Reynolds Cycling and Reynolds. This information is not intended for public distribution or disclosure. This document may be referenced and reproduced for and by Reynolds Cycling and Reynolds Cycling affiliates only.

# 2016 BLACK LABEL 29 ENDURO BST TUBELESS CARBON MOUNTAIN

PART NO.	ITEM DESCRIPTION	QTY
76596	WS, 29ER END ASYM BST 28/28H	1
76598	W, 29ER END ASYM BST FRNT 28H	1
20311	NIPPLE,EXT BLACK ALLOY SQ HEAD	28
21602	SPOKE, SPM CX-RAY 300MM SP BLK	14
21604	SPOKE, SPM CX-RAY 302MM SP BLK	14
21827	HUB, MTN i9 SP CL 28H 110x15TA	1
21878	DECAL, 29ER ENDURO BL ASYM	1
56593	D RIM, 29ER ENDURO BL ASYM 28H	1
76599	W, 29ER END ASYM BST REAR 28H	1
20311	NIPPLE,EXT BLACK ALLOY SQ HEAD	28
21601	SPOKE, SPM CX-RAY 299MM SP BLK	14
21603	SPOKE, SPM CX-RAY 301MM SP BLK	14
21829	HUB, MTN i9 SP CLSHIM28H 148x12	1
21878	DECAL, 29ER ENDURO BL ASYM	1
56593	D RIM, 29ER ENDURO BL ASYM 28H	1
	<b>W ACC KIT, MTN 27.5 &amp; 29 ASYM</b>	
20904	VALVE STEM, AM 45MM LONG	2
20908	RIM TAPE, TUBELESS 28MM 11 M	1

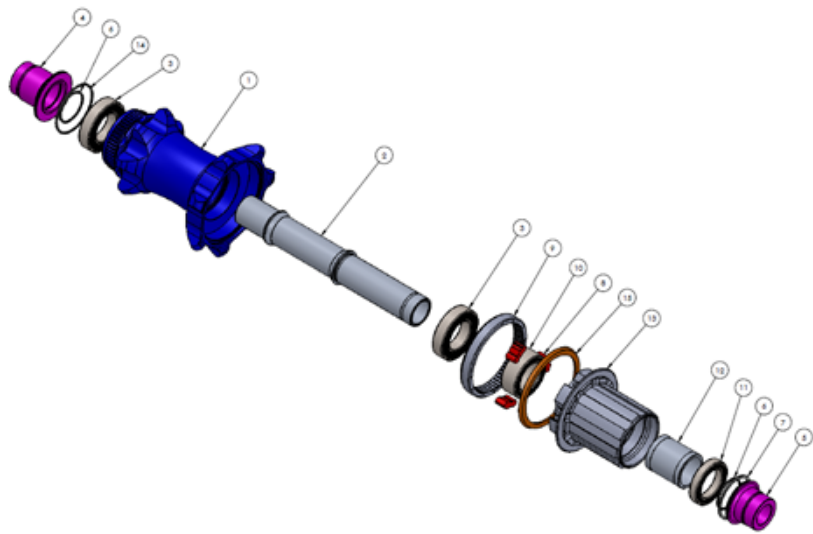


PART NO.	HUB COMPONENTS AND ACCESSORIES	QTY
21844	FREEHUB, i9 SHIM 10SP COMPLETE	
21845	FREEHUB, i9 XD 11SP COMPLETE	
21858	FREEHUB, i9 RB/DB CAMPY 11 SPD	
21840	END CAP, i9 FRONT 15mm KIT	
21841	END CAP, i9 REAR MTN 12mm TA	
21842	END CAP, i9 FRT QR CL 5x100 KIT	
21843	END CAP i9, REAR CL QR (PAIR)	
21848	AXLE, i9 MTN FRT CL 100mm HUB	
21849	AXLE, i9 MTN FRT CL 110mm HUB	
21850	AXLE, i9 MTN REAR CL12x142 HUB	
21851	AXLE, i9 MTN REAR CL12x148 HUB	
20165	BEARING, ENDURO FRONT HUB 18307	2
20166	BEARING, ENDURO FREEHUB BB31803	1
20167	BEARING, ENDURO REAR BB61803	1
20168	BEARING, ENDURO REAR BB61903	2
21289	ADAPTER, CL TO IS6-BOLT	2
21287	LOCK RING/CENTER LOCK	

Information contained herein is proprietary and confidential to Reynolds Cycling and Reynolds Cycling affiliates. This document is not intended for public distribution or disclosure. This document may be referenced and reproduced for and by Reynolds Cycling and Reynolds Cycling affiliates only.

# 2016 BLACK LABEL MTN CARBON DISC REAR HUB

i9 MTN 142



FREEHUB AND END CAP OPTIONS 142 REAR 100 FRONT

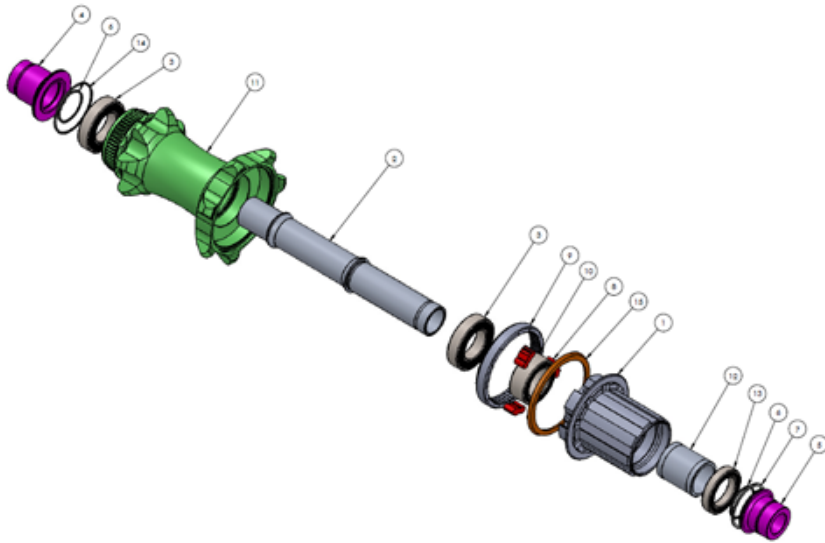
Part NO	Description	QTY
21844	FREEHUB, i9 SHIM 10/11SP COMPLETE	1
21845	FREEHUB, i9 XD 11SP COMPLETE	1
21841	END CAP, i9 REAR MTN 12mm TA	1
21840	END CAP, i9 FRONT 15mm KIT	1
21842	END CAP, i9 FRT QR CL 5x100 KIT	1
21843	END CAP, i9 RR QR CL 5x135 KIT	1

Item	DESCRIPTION	QTY	Part NO
1	FREEHUB, i9 SHIM 10/11SP COMPLETE	1	21844
2	AXLE, i9 MTN REAR CL12x142 HUB	1	21850
3	BEARING, ENDURO 61903 ABEC 5	2	20168
4	END CAP, i9 REAR MTN 12mm TA	1	21841
5	END CAP, i9 REAR MTN 12mm TA	1	21841
6	O-RING 17x1	2	SEE I9
7	TEFLON SEAL, RR DRIVE EC	1	SEE I9
8	I9 PAWL	6	SEE I9
9	DRIVE RING	1	SEE I9
10	BEARING, ENDURO 61803 ABEC 5	1	20167
11	HUBSHELL REYNOLDS REAR 148	1	N/A
12	FREEHUB AXLE SPACER	1	SEE I9
13	BEARING, ENDURO 61803 ABEC 5	1	20167
14	O-RING, 25x1	1	SEE I9
15	SEAL RING, FH TO HS	1	SEE I9

**WARNING:** The information contained herein is proprietary and confidential to Reynolds Cycling and Reynolds Cycling affiliates. This document is not intended for public distribution or disclosure. This document may be referenced and reproduced for and by Reynolds Cycling and Reynolds Cycling affiliates only.

# 2016 BOOST BLACK LABEL MTN CARBON DISC REAR HUB

i9 MTN 148



FREEHUB AND END CAP OPTIONS 148 REAR 110 FRONT

Part NO	Description	QTY
21844	FREEHUB, i9 SHIM 10/11SP COMPLETE	1
21845	FREEHUB, i9 XD 11SP COMPLETE	1
21841	END CAP, i9 REAR MTN 12mm TA	1
21840	END CAP, i9 FRONT 15mm KIT	1

Item NO.	DESCRIPTION	QTY	Part NO
1	FREEHUB, i9 SHIM 10/11SP COMPLETE	1	21844
2	AXLE, i9 MTN REAR CL12x148 HUB	1	21851
3	BEARING, ENDURO 61903 ABEC 5	2	20168
4	END CAP, i9 REAR MTN 12mm TA	1	21841
5	END CAP, i9 REAR MTN 12mm TA	1	21841
6	O-RING 17x1	2	SEE I9
7	TEFLON SEAL, RR DRIVE EC	1	SEE I9
8	I9 PAWL	6	SEE I9
9	DRIVE RING	1	SEE I9
10	BEARING, ENDURO 61803 ABEC 5	1	20167
11	HUBSHELL REYNOLDS REAR 148	1	N/A
12	FREEHUB AXLE SPACER	1	SEE I9
13	BEARING, ENDURO 61803 ABEC 5	1	20167
14	O-RING, 25x1	1	SEE I9
15	SEAL RING, FH TO HS	1	SEE I9

**WARNING:** The information contained herein is proprietary and confidential to Reynolds Cycling and Reynolds Cycling affiliates. This document is not intended for public distribution or disclosure. This document may be referenced and reproduced for and by Reynolds Cycling and Reynolds Cycling affiliates only.

# 2016 REYNOLDS ROAD WHEEL SPOKE CHARTS

2016 WHEELSET	PART #	STRAIGHT-PULL HUBS	PART #	LACING PATTERN	STRAIGHT-PULL SPOKES	PART #
46AERO C SHIMANO 16/20	74336	HUB, FRONT AERO-SLG 16H SP	20453	RADIAL	FRONT, SAPIM CX-RAY SP 276MM BLACK	21590
46AERO T SHIMANO 16/20	74331	HUB, AERO-SLG 20H SHIMANO SP	20144	X2	DRIVE, SAPIM CX-RAY SP 290MM BLACK	21595
46AERO C CAMPY 16/20	74337	HUB, AERO-SLG 20H CAMPY SP	20148	X2	REAR ND, SAPIM CX-RAY SP 291MM BLACK	21593
46AERO PLUS C ROAD DISC SHIMANO 24	76346	HUB, FRONT ROAD DISC 24H C/L	20324	X2	FRONT ND & REAR DRIVE, SAPIM CX-RAY SP 284MM	21531
		HUB, REAR ROAD DISC 24H C/L	20325	X2	FRONT DRIVE, SAPIM CX-RAY SP 285MM BLACK	21605
				X2	REAR ND, SAPIM CX-RAY SP 281MM BLACK	21594
58AERO C SHIMANO 16/20	73656	HUB, FRONT AERO-SLG 16H S PULL	20453	RADIAL	FRONT, SAPIM CX-RAY SP 269MM BLACK	21590
58AERO T SHIMANO 16/21	74651	HUB, AERO-SLG 20H SHIMANO SP	20144	X2	REAR ND, SAPIM CX-RAY SP 282MM BLACK	21595
58AERO C CAMPY 16/20	73657	HUB, AERO-SLG 20H CAMPY SP	20148	X2	REAR DRIVE, SAPIM CX-RAY SP 281MM BLACK	21593
72AERO C SHIMANO 16/20	73836	HUB, FRONT AERO-SLG 16H S PULL	20453	RADIAL	FRONT, SAPIM CX-RAY SP 254MM BLACK	21586
72AERO T SHIMANO 16/20	74831	HUB, AERO-SLG 20H SHIMANO SP	20144	X2	REAR DRIVE & ND, SAPIM CX-RAY SP 268MM	21589
72AERO C CAMPY 16/20	73837	HUB, AERO-SLG 20H CAMPY SP	20148	X2		
90AERO C SHIMANO 16/20	73866	HUB, FRONT AERO-SLG 16H S PULL	20453	RADIAL	FRONT, SAPIM CX-RAY SP 238MM BLACK	21581
		HUB, AERO-SLG 20H SHIMANO SP	20144	X2	REAR DRIVE, SAPIM CX-RAY SP 252MM BLACK	21585
90 AERO C CAMPY 16/20	73867	HUB, AERO-SLG 20H CAMPY SP	20148	X2	REAR ND, SAPIM CX-RAY SP 254MM BLACK	21586
ATTACK C SHIMANO 20/24	75280	HUB, PERFORMANCE FRONT 20H SP	20450	RADIAL	FRONT, SAPIM CX-SPRINT SP 282MM BLACK	21557
		HUB, PERFORMANCE SHIM 24H SP	20452	X2	REAR DRIVE, SAPIM CX-SPRINT SP 284MM BLACK	21558
ATTACK C CAMPY 20/24	75281	HUB, PERFORMANCE CAMPY 24H SP	20458	RADIAL	REAR ND, SAPIM CX-SPRINT SP 282MM BLACK	21557
ATTACK ROAD DISC SHIMANO 24/24	75271	HUB, FRONT ROAD DISC 24H C/L	20324	X2	FRONT DRIVE & REAR ND, SAPIM CX-SPRINT SP 291MM	21562
		HUB, REAR ROAD DISC 24H C/L	20325	X2	FRONT ND & REAR DRIVE, SAPIM CX-SPRINT SP 289MM	21561
ASSAULT C SLG SHIMANO 20/24	75381	HUB, PERFORMANCE FRONT 20H SP	20450	RADIAL	FRONT, SAPIM CX-SPRINT SP 270MM BLACK	21553
ASSAULT T SLG SHIMANO 20/24	74376	HUB, PERFORMANCE SHIM 24H SP	20452	X2	REAR DRIVE, SAPIM CX-SPRINT SP 270MM BLACK	21553
ASSAULT C SLG CAMPY 20/24	75382	HUB, PERFORMANCE CAMPY 24H SP	20458	RADIAL	REAR ND, SAPIM CX-SPRINT SP 272MM BLACK	21554
ASSAULT C ROAD DISC SHIMANO 24/24	75366	HUB, FRONT ROAD DISC 24H C/L	20324	X2	FRONT ND & REAR ND, SAPIM CX-SPRINT SP 278MM	21555
		HUB, REAR ROAD DISC 24H C/L	20325	X2	FRONT DRIVE & REAR ND, SAPIM CX-SPRINT SP 280MM	21556
ASSAULT T ROAD DISC SHIMANO 24/24	75371					
STRIKE C SLG SHIMANO 16/20	75481	HUB, PERFORMANCE FRONT 16H SP	20449	RADIAL	FRONT & REAR ND, SAPIM CX-SPRINT SP 252MM BLACK	21550
		HUB, PERFORMANCE SHIM 20H SP	20451	X1	REAR DRIVE, SAPIM CX-SPRINT SP 244MM BLACK	21549
STRIKE C SLG CAMPY 16/20	75482	HUB, PERFORMANCE CAMPY 20H SP	20457	RADIAL		
ASSAULT/STRIKE C SHIMANO 20/20	75971	HUB, PERFORMANCE FRONT 20H SP	20450	RADIAL	FRONT, SAPIM CX-SPRINT SP 270MM BLACK	21553
		HUB, PERFORMANCE SHIM 20H SP	20451	X1	REAR ND, SAPIM CX-SPRINT SP 252MM BLACK	21550
				RADIAL	REAR DRIVE, SAPIM CX-SPRINT SP 244MM BLACK	21549
ATR - ALL TERRAIN ROAD DISC	80991	HUB, FRONT ROAD DISC 24H C/L	20324	X2	FRONT ND, SAPIM LASER SP 288MM BLACK	21681
		HUB, REAR ROAD DISC 24H C/L	20325	X2	FRONT DRIVE, SAPIM LASER SP 289MM BLACK	21682
					REAR ND, SAPIM LASER SP 290MM BLACK	21683
					REAR DRIVE, SAPIM LASER SP 286MM BLACK	21679
STRATUS PRO SHIMANO 20/24	74721	HUB, FRONT AERO-SLG 20H S PULL	20454	RADIAL	FRONT, SAPIM CX-SPRINT SP 282MM BLACK	21557
		HUB, ALLOY ROAD SP SHIM 24H	21325	X2/X2	DRIVE, SAPIM CX-SPRINT SP 288MM BLACK	21560
STRATUS PRO CAMPY 20/24	74722	HUB, ALLOY ROAD SP CAMPY 24H	20329		REAR ND, SAPIM CX-SPRINT SP 292MM BLACK	21563
STRATUS PRO DISC SHIMANO 24/24	74726	HUB, PERF DISC BRK FRT 24H SP	20324	X2/X2	FRONT ND/ REAR DRIVE, SAPIM RACE SP 286MM BLACK	21630
		HUB, MTN BLK REAR 24H SP 2014	20325	X2/X2	FRONT DRIVE, SAPIM RACE SP 288MM BLACK	21632
STRATUS PRO DISC CAMPY 24/24	74727				REAR ND, SAPIM RACE SP 289MM BLACK	21633

**WARNING:** The information contained herein is proprietary and confidential to Reynolds Cycling and Reynolds Cycling affiliates. This document is not intended for public distribution or disclosure. This document may be referenced and reproduced for and by Reynolds Cycling and Reynolds Cycling affiliates only.

# 2016 REYNOLDS MTN WHEEL SPOKE CHARTS

2016 WHEELSET	PART #	STRAIGHT-PULL HUBS	PART #	LACING PATTERN	STRAIGHT-PULL SPOKES	
27.5 TRAIL BLACK LABEL ASYM 28/28	76501	HUB, S/P MTN i-9 FRONT 28H	21826	X3	FRONT ND, SAPIM CX-RAY SP 280MM BLACK	21593
		HUB, S/P MTN i-9 REAR 28H	21828	X3	FRONT DRIVE, SAPIM CX-RAY SP 282MM BLACK	21595
					REAR DRIVE & ND, SAPIM CX-RAY SP 281MM BLACK	21594
27.5 ENDURO BLACK LABEL ASYM 28/28	76511	HUB, S/P MTN i-9 FRONT 28H	21826	X3	FRONT ND, SAPIM CX-RAY SP 281MM BLACK	21594
		HUB, S/P MTN i-9 REAR 28H	21828	X3	FRONT DRIVE, SAPIM CX-RAY SP 282MM BLACK	21595
					REAR DRIVE & ND, SAPIM CX-RAY SP 281MM BLACK	21594
27.5 PLUS BLACK LABEL ASYM 28/28	76521	HUB, S/P MTN i-9 FRONT 28H	21826	X3	FRONT ND, SAPIM CX-RAY SP 283MM BLACK	21595
		HUB, S/P MTN i-9 REAR 28H	21828	X3	FRONT DRIVE, SAPIM CX-RAY SP 285MM BLACK	21605
					REAR DRIVE & ND, SAPIM CX-RAY SP 281MM BLACK	21531
29 TRAIL BLACK LABEL ASYM 28/28	76576	HUB, S/P MTN i-9 FRONT 28H	21826	X3	FRONT NDS, SAPIM CX-RAY SP 299MM BLACK	21601
		HUB, S/P MTN i-9 REAR 28H	21828	X3	FRONT DRIVE, SAPIM CX-RAY SP 300MM BLACK	21602
					REAR DRIVE & ND, SAPIM CX-RAY SP 299MM BLACK	21601
29 ENDURO BLACK LABEL ASYM 28/28	76591	HUB, S/P MTN i-9 FRONT 28H	21826	X3	FRONT, SAPIM CX-RAY SP 299MM BLACK	21601
		HUB, S/P MTN i-9 REAR 28H	21828	X3	FRONT DRIVE, SAPIM CX-RAY SP 301MM BLACK	21603
					REAR DRIVE & ND, SAPIM CX-RAY SP 300MM BLACK	21602
27.5 TRAIL BLACK LABEL ASYM 28/28 BOOST	76506	HUB, S/P MTN i-9 FRONT 28H BOOST	21827	X3	FRONT ND, SAPIM CX-RAY SP 280MM BLACK	21593
		HUB, S/P MTN i-9 REAR 28H BOOST	21829	X3	FRONT DRIVE, SAPIM CX-RAY SP 282MM BLACK	21595
					REAR DRIVE & ND, SAPIM CX-RAY SP 281MM BLACK	21594
27.5 ENDURO BLACK LABEL ASYM 28/28 BOOST	76516	HUB, S/P MTN i-9 FRONT 28H BOOST	21827	X3	FRONT ND, SAPIM CX-RAY SP 280MM BLACK	21593
		HUB, S/P MTN i-9 REAR 28H BOOST	21829	X3	FRONT DRIVE, SAPIM CX-RAY SP 281MM BLACK	21594
					REAR DRIVE & ND, SAPIM CX-RAY SP 281MM BLACK	21594
29 TRAIL BLACK LABEL ASYM 28/28 BOOST	76581	HUB, S/P MTN i-9 FRONT 28H BOOST	21827	X3	FRONT NDS, SAPIM CX-RAY SP 299MM BLACK	21601
		HUB, S/P MTN i-9 REAR 28H BOOST	21829	X3	FRONT DRIVE, SAPIM CX-RAY SP 300MM BLACK	21602
					REAR DRIVE & ND, SAPIM CX-RAY SP 299MM BLACK	21601
29 ENDURO BLACK LABEL ASYM 28/28 BOOST	76596	HUB, S/P MTN i-9 FRONT 28H BOOST	21827	X3	FRONT, SAPIM CX-RAY SP 299MM BLACK	21601
		HUB, S/P MTN i-9 REAR 28H BOOST	21829	X3	FRONT DRIVE, SAPIM CX-RAY SP 301MM BLACK	21603
					REAR DRIVE & ND, SAPIM CX-RAY SP 300MM BLACK	21602

**WARNING:** The information contained herein is proprietary and confidential to Reynolds Cycling and Reynolds Cycling affiliates. This document is not intended for public distribution or disclosure. This document may be referenced and reproduced for and by Reynolds Cycling and Reynolds Cycling affiliates only.

# 2016 RIM ERD FOR REYNOLDS WHEELS

**PLEASE NOTE:**

- For custom spoke length calculations using Reynolds Aero rims with internal spoke nipples, add 16mm to rim ERD listed in chart below before calculation

ERD for RIMS				
Front Rim Part Number	Rear Rim Part Number	Rim Model	700C	650B
63338	63339	46 Aero Clincher 16/20	552	
<b>66346</b>	<b>66346</b>	<b>46 Aero Plus Clincher DB 24/24</b>	<b>554</b>	
63658	63659	58 Aero Clincher 16/20	533	
63838	63839	72 Aero Clincher 16/20	503	
63868	63869	90 Aero Clincher 16/20	479	
63333	63334	46 Aero T RB 16/20	552	
63653	63654	58 Aero T RB 16/20	535	
63833	63834	72 Aero T RB 16/20	507	
65282	65283	Wide Attack Clincher RB 20/24	585	
65274	65274	Wide Attack Clincher DB 24/24	585	
65383	65384	Wide Assault Clincher RB 20/24	562	
64378	64379	Wide Assault Tubular RB 20/24	562	
65369	65369	Wide Assault Clincher DB 24/24	562	
65374	65374	Wide Assault Tubular DB 24/24	562	
65483	65484	Wide Strike Clincher 16/20	520	
65369	65369	Wide Assault Clincher DB 24/24	562	
51543	51543	ATR; All Terrain Road 24/24	583	
56503	56503	Black Label MTN 27.5 TRAIL ASYM 28/28		548
56513	56513	Black Label MTN 27.5 ENDURO ASYM 28/28		544
56523	56523	Black Label MTN 27.5 PLUS 28/28		548
56578	56578	Black Label MTN 29 TRAIL ASYM 28/28	586	
56593	56593	Black Label MTN 29 ENDURO 28/28	583	
56800	56800	Dean Fatbike 80mm x 26"		525
53513	53513	MTN 27.5 XC Summit 28/28		545
54563	54563	MTN 27.5 AM Summit 28/28		556
54573	57573	MTN 29er XC Summit 28/28	590	
51544	51544	MTN 29er Trail Summit 28/28	583	
20560	20561	Stratus Pro Alloy Clincher RB 20/24	580	
20562	20562	Stratus Pro Alloy Clincher DB 24/24	580	
20565	20565	R 27.5 XC Alloy MTN 28/28		563
20566	20566	R27.5AM Alloy MTN 28/28		566
20563	20563	R29 XC Alloy MTN 28/28	599	
20564	20564	R29 AM Alloy MTN 28/28	604	

**WARNING:** The information contained herein is proprietary and confidential to Reynolds Cycling and Reynolds Cycling affiliates. This document is not intended for public distribution or disclosure. This document may be referenced and reproduced for and by Reynolds Cycling and Reynolds Cycling affiliates only.

# REYNOLDS WHEEL ASSEMBLY SPECIFICATIONS

## REYNOLDS TRUING TOLERANCES

Reynolds holds 3 basic truing tolerances that must be adhered during the wheel assembly process as follows:

- Wheel True (left to right) / horizontal adjustment.
- Wheel Hop (up and down) / vertical adjustment
- Wheel Dish (offset from the centerline of the hub)
- Wheel True tolerance: 0.012" (0.30mm)
- Wheel Hop tolerance: 0.020" (0.50mm)
- Wheel Dish tolerance: 0.020" (0.50mm)

Exceptions to these tolerances: Element Disc and all RZR wheel: True = 0.020" (0.50mm).

## REYNOLDS LACING PATTERNS

- Refer to the Bill of Materials (BOM) for current spoke lengths, hub type, and rims used in the assembly of current wheel models.
- The number of spokes and the hub type will determine the lacing pattern of the mountain or road wheel.
  - For example, a 28-hole rear hub will have a 3-cross lacing pattern and a 16-hole front hub will have a radial lacing.

## REYNOLDS SPOKE TENSION TOLERANCES

All Reynolds wheels will be built to the following spoke tensions unless noted in the table below.

- All non-disc brake equipped wheel tensions:
  - Front: 800-1000N
  - Rear Drive side: 1100-1300N
  - Rear Non-Drive Range: < 250N
    - 400N minimum tension
- All disc brake equipped wheel tensions:
  - Front: 1100-1300N
  - Rear Drive side: 1100-1300N
  - Rear Non-Drive Range: < 250N
    - 400N minimum tension

### PLEASE NOTE:

- For complete and detailed wheel assembly instructions please refer to Reynolds Technical Service Wheel Assembly document.

**WARNING:** The information contained herein is proprietary and confidential to Reynolds Cycling and Reynolds Cycling affiliates. This document is not intended for public distribution or disclosure. This document may be referenced and reproduced for and by Reynolds Cycling and Reynolds Cycling affiliates only.