



REYNOLDS

Experience | Performance



REYNOLDS' TECHNICAL
SERVICE PROGRAM

2014 REYNOLDS TECHNICAL SERVICE MANUAL

REYNOLDS CYCLING
9091 SANDY PARKWAY
SANDY, UT 84070
866-798-3040
www.reynoldscycling.com

CONTROL #03285 REV H

WARNING: The information contained herein is proprietary and confidential to Reynolds Cycling and Reynolds Cycling affiliates. This document is not intended for public distribution or disclosure. This document may be referenced and reproduced for and by Reynolds Cycling and Reynolds Cycling affiliates only.

REYNOLDS CYCLING
EU SERVICE CENTER
MAASTRICHT, NL
WATERMOLEN 1
6229PM MAASTRICHT
+31 (0) 647147699



REYNOLDS WHEEL GRAPHICS 2014



RZR



AERO



PERFORMANCE - SLG



ALLOY ROAD



MTN ALLOY



MTN CARBON



ELEMENT

WARNING: The information contained herein is proprietary and confidential to Reynolds Cycling and Reynolds Cycling affiliates. This document is not intended for public distribution or disclosure. This document may be referenced and reproduced for and by Reynolds Cycling and Reynolds Cycling affiliates only.



TABLE OF CONTENTS TECHNICAL SERVICE 2014

PAGES 4 - 7: 2014 ROAD RZR AND ELEMENT CARBON

RZR 46
RZR 46 TEAM
RZR 92

PAGES 8 - 13: 2014 ROAD AERO CARBON

AERO 46
AERO 46 ROAD DISC
AERO 58
AERO 72
AERO 90

PAGES 14 - 24: 2014 ROAD PERFORMANCE CARBON

ATTACK
ATTACK ROAD DISC
ASSAULT SLG
ASSAULT SLG ROAD DISC
STRIKE SLG
ATR: ALL TERRAIN ROAD DISC

PAGES 25 - 28: 2014 ROAD ALLOY SERIES

STRATUS PRO
STRATUS PRO ROAD DISC

PAGES 29 - 35: 2014 MTN SUMMIT CARBON

27.5XC
27.5AM
29XC
29 TRAIL

PAGES 36 - 41: 2014 MTN ALLOY R SERIES

R 27.5XC
R 27.5AM
R 29XC
R 29 AM

PAGE 42: 2014 ROAD SPOKE LENGTH CHART

ROAD CARBON
ROAD ALLOY

PAGE 43: 2014 MTN SPOKE LENGTH CHART

MTN CARBON
MTN ALLOY

PAGE 44: 2014 RIM ERD CHART



2014 REYNOLDS RZR CARBON ROAD WHEELS



RZR46



RZR46 TEAM



RZR92

PLEASE NOTE:
11 SPEED UPGRADE KIT NOT AVAILABLE FOR 10
SPEED RZR REAR WHEELS. CONTACT
REYNOLDS FOR 11 SPEED CASSETTE OPTIONS.

WARNING: The information contained herein is proprietary and confidential to Reynolds Cycling and Reynolds Cycling affiliates. This document is not intended for public distribution or disclosure. This document may be referenced and reproduced for and by Reynolds Cycling and Reynolds Cycling affiliates only.

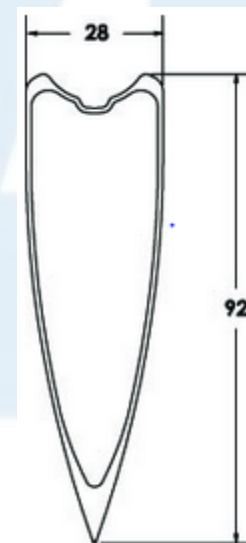
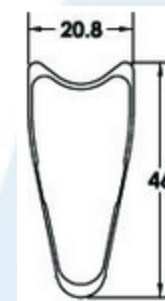


2014 RZR TUBULAR: 46T, 46TEAM, 92T FULL CARBON ROAD

PART NO.	WHEEL DESCRIPTION
74001	WS, RZR 46T SHIMANO 11SPD 16/20H
73003	W, RZR 46T FRONT 16H
74004	W, RZR 46T SHIMANO 11SPD 20H
73002	WS, RZR 46T CAMPY 11SPD 16/20H
73003	W, RZR 46T FRONT 16H
73005	W, RZR 46T CAMPY 11SPD 20H
74011	WS, RZR 46T TEAM SHIMANO 11SPD 16/20H
73013	W, RZR 46T FRONT 16H
74014	W, RZR 46T TEAM SHIMANO 11SPD 20H
73012	WS, RZR 46T CAMPY 11SPD 16/20H
73013	W, RZR 46T FRONT 16H
73015	W, RZR 46T CAMPY 11SPD 20H
74021	WS, RZR 92T SHIMANO 11SPD 16/20H
73023	W, RZR 92T FRONT 16H
74024	W, RZR 92T SHIMANO 11SPD 20H
73002	WS, RZR 92T CAMPY 11SPD 16/20H
73023	W, RZR 92T FRONT 16H
73022	W, RZR 92T CAMPY 11SPD 20H

PART NO.	RZR ACCESSORIES
20898	SKEWER, RZR REAR
20899	SKEWER, RZR FRONT
20797	BRAKE PAD, CRYO BL PWR SHIM 2PK
20798	BRAKE PAD, CRYO BLU PWR CAMPY
85112	WHEEL BAG SINGLE, REYNOLDS
20647	RZR 46 VALVE EXTENDER, 50MM STEM
20641	RZR 92 VALVE EXTENDER, 80MM STEM
20912	VALVE HOLE PLUG, RZR 92T

PART NO.	HUB COMPONENTS	QTY.
FRONT HUB RZR		
20173	BEARING, 6802, ABEC 5, 2RU	2
20197	WASHER, STAINLESS .015" TH RZR	11
20737	SPACER, GREASE, RZR	2
20739	END CAP, FRONT, RZR	2
20782	WASHER, SS THRUST (.003), RZR	2
20866	AXLE, RZR FRONT ALUMINUM	1
REAR HUB RZR SHIMANO 11		
20173	BEARING, 6802, ABEC 5, 2RU	4
20197	WASHER, STAINLESS .015" TH RZR	7
20737	SPACER, GREASE, RZR	1
20740	END CAP, REAR N-DRIVE SIDE, RZR	1
20782	WASHER, SS THRUST (.003), RZR	1
20785	END CAP, REAR DRIVE SIDE, RZR	1
20868	AXLE, RZR CAMPY ALUMINUM	1
20709	FREEHUB, SHIM RZR 11 SP	1
REAR HUB RZR CAMPY 11		
20173	BEARING, 6802, ABEC 5, 2RU	4
20197	WASHER, STAINLESS .015" TH RZR	10
20737	SPACER, GREASE, RZR	1
20740	END CAP, REAR N-DRIVE SIDE, RZR	1
20782	WASHER, SS THRUST (.003), RZR	1
20784	SPACER, AXLE CASS. CAMPY RZR	1
20785	END CAP, REAR DRIVE SIDE, RZR	1
20933	SPACER, DRIVE SIDE 0.1", RZR	1
20868	AXLE, RZR CAMPY ALUMINUM	1
20710	FREEHUB, CAMPY RZR 11 SP	1





2014 REYNOLDS ELEMENT DISC WHEELS

PART NO.	WHEEL DESCRIPTION
73601	W, ELEMENT TUBULAR DISC SHIMANO/SRAM 11SPD
73602	W, ELEMENT TUBULAR DISC CAMPAGNOLO 11SPD
73603	W, ELEMENT CLINCHER DISC SHIMANO/SRAM 11SPD
73604	W, ELEMENT CLINCHER DISC CAMPAGNOLO 11SPD

PART NO.	HUB COMPONENTS AND ACCESSORIES	QTY
21156	FREEHUB, ELEMENT DISC 9/10/11 SHIMANO	
20328	FREEHUB, ELEMENT DISC 9/10/11 CAMPY	
20647	VALVE EXTENDER, 50MM STEM	
21160	RIM STRIP, 18MM BLUE	
20816	SKEWER, FRONT UPPER LEVEL AERO	
20817	SKEWER, REAR UPPER LEVEL AERO	
20797	BRAKE PAD,CRYO BL PWR SHIM (2PK)	
20798	BRAKE PAD,CRYO BLU PWR CAMPY (2PK)	
20156	BEARING, 6902RS REAR HUB	4
85112	WHEEL BAG SINGLE, REYNOLDS	



ELEMENT CLINCHER AND TUBULAR

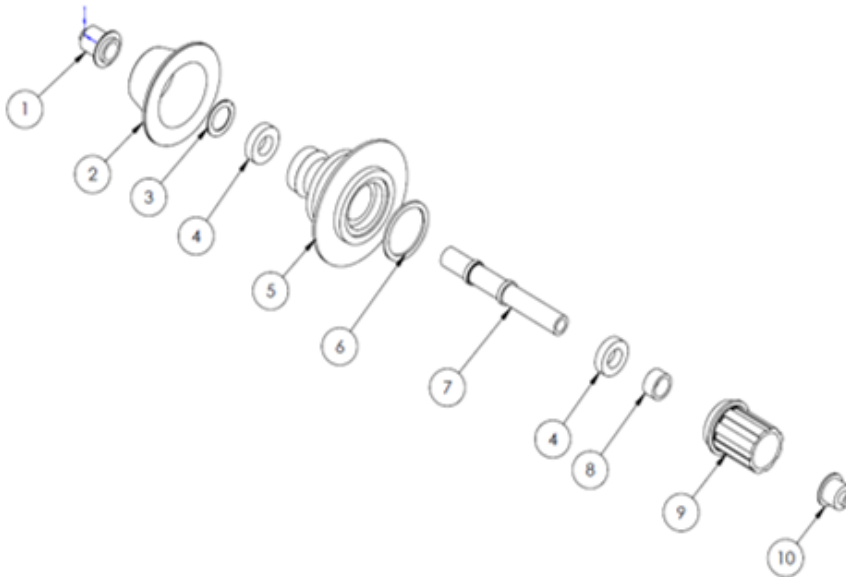
PLEASE NOTE:
11 SPEED UPGRADE KIT NOT AVAILABLE FOR 10 SPEED ELEMENT REAR WHEELS. CONTACT REYNOLDS FOR 11 SPEED CASSETTE OPTIONS.

WARNING: The information contained herein is proprietary and confidential to Reynolds Cycling and Reynolds Cycling affiliates. This document is not intended for public distribution or disclosure. This document may be referenced and reproduced for and by Reynolds Cycling and Reynolds Cycling affiliates only.



2014 ELEMENT DISC REAR HUB

Element Disc Hub



Item	Description	QTY	Shimano		Campy	
			Part No.	Part No.	Part No.	Part No.
1	End Cap (NDS)	1	-	-	-	-
2	Screw Off Shell	1	-	-	-	-
3	Seal	1	-	-	-	-
4	Bearing (6902RU)	2	20156	20156	-	-
5	Hub Shell	1	-	-	-	-
6	Rubber Seal	1	21156*	20328*	-	-
7	Axle	1	-	-	-	-
8	Spacer**	1	21156*	20328*	-	-
9	Freehub Body (Shimano)	1	21156*	20328*	-	-
10	End Cap (DS)	1	21156*	20328*	-	-

*Freehub Body Kit includes: Freehub Body (9), Spacer (8), DS End Cap (10), and Rubber Seal (6).

**Shimano Spacer = 10mm thick.
Campy Spacer = 4mm thick.

Hub Options		End Caps (DS only available in Freehub Kit)*	
Part No.	Description	Part No.	Description
20342	HUB, CHOSEN DISC SHIMANO 10SP	21156	FREEHUB, DISC 9/10/11 SHIMANO
20343	HUB, CHOSEN DISC SHIMANO 11SP	20328	FREEHUB, DISC 9/10/11 CAMPY
20326	HUB, CHOSEN DISC CAMPY 10SP		
20327	HUB, CHOSEN DISC CAMPY 11SP		



2014 REYNOLDS AERO CLINCHER ROAD WHEELS



AERO46



AERO58



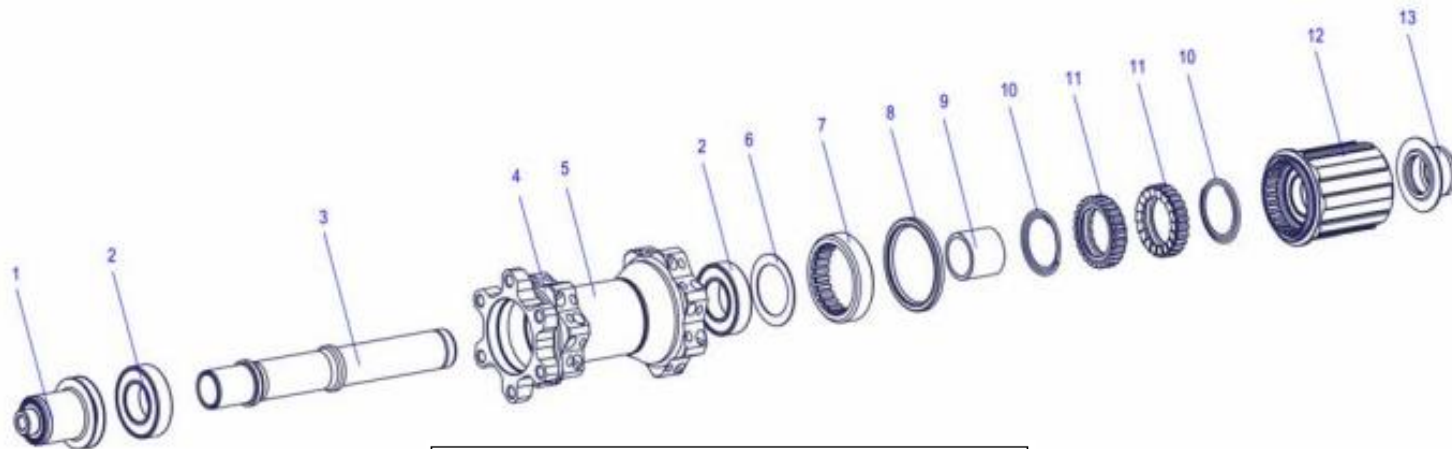
AERO72



AERO90



2014 AERO RIM BRAKE REAR HUB: 46, 58, 72 & 90



- | | |
|----|------------------------|
| 1 | NON-DRIVE SIDE END CAP |
| 2 | BEARING 6902RS |
| 3 | AXLE |
| 4 | HUB SHELL |
| 5 | END CAP DRIVE SIDE |
| 6 | BEARING COVER |
| 7 | RING NUT |
| 8 | HUB SHELL/ROTOR SEAL |
| 9 | AXLE SPACER |
| 10 | SPRING |
| 11 | RATCHET RING |
| 11 | RATCHET RING |
| 10 | SPRING |
| 12 | FREEHUB |
| 13 | DRIVE SIDE END CAP |

**NOTE: SEE HUB COMPONENTS AND ACCESSORIES
SECTION ON EACH PAGE FOR PART NUMBERS AND
END CAP OPTIONS**



2014 46AERO CLINCHER AERO ROAD

PART NO.	ITEM DESCRIPTION	QTY.
74336	WS, 46 AERO C SHIMANO 16/20H	1
74338	W, 46 AERO C FRONT 16H	1
20453	HUB, FRONT AERO-SLG 16H S PULL	1
20911	NIPPLE, HEX HIDDEN INTERNAL	16
21177	SPOKE, DT AEROL SP 276MM BLACK	16
63338	D RIM, INKJET, AERO 46 C 16H	1
74339	W, 46 AERO C SHIMANO 20H	1
20243	HUB, AERO-SLG 20H SHIMANO SP	1
20911	NIPPLE, HEX HIDDEN INTERNAL	20
21296	SPOKE, DT AEROL SP 290MM BLACK	10
21298	SPOKE, DT AEROL SP 291MM BLACK	10
63339	D RIM, INKJET, AERO 46 C 20H	1
85284	ACC KIT, AERO C SHIMANO	1
20647	VALVE EXTENDER, 50MM STEM, TW	2
20363	RIM TAPE 22mm CLOTH 700C	2
20816	SKEWER, QR FRONT UPPER LEVEL	1
20817	SKEWER, QR REAR UPPER LEVEL	1
20797	BRAKE PAD, CRYO BLU PWR SHIM	2
21190	0.9mm SPACER RING, SINGLE	2
74337	WS, 46 AERO C CAMPY 16/20H	1
74340	W, 46 AERO C CAMPY 20H	1
20606	HUB, AERO-SLG 20H CAMPY SP	1
20798	BRAKE PAD, CRYO BLU PWR CAMPY	1

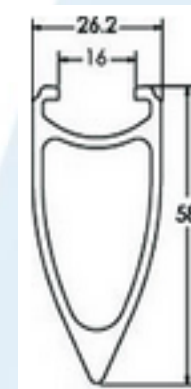


PART NO.	HUB COMPONENTS AND ACCESSORIES	QTY
21155	FREEHUB, REYNOLDS 9/10/11 SHIMANO	
20183	FREEHUB, REYNOLDS 9/10/11 CAMPY	
20189	CONVERSION KIT TO 9/10/11 SHIMANO	
20191	CONVERSION KIT TO 9/10/11 CAMPY	
21242	END CAP KIT FRONT HUB (PAIR)	
20700	REPLACEMENT AXLE FRONT HUB	
20173	BEARING, FRONT HUB 6802RS	2
20156	BEARING, 6902RS REAR HUB	2
20647	VALVE EXTENDER, 50MM STEM	2
20080	PLUG, AERO VALVE HOLE	2
85112	WHEEL BAG SINGLE, REYNOLDS	



2014 58AERO CLINCHER AERO ROAD

PART NO.	ITEM DESCRIPTION	QTY
73656	WS, 58 AERO C SHIMANO 16/20H	1
73658	W, 58 AERO C FRONT 16H	1
20453	HUB, FRONT AERO-SLG 16H S PULL	1
20911	NIPPLE, HEX HIDDEN INTERNAL	16
21213	SPOKE, DT AEROL SP 269MM BLACK	16
63658	D RIM, INKJET, AERO 58 C 16H	1
73659	W, 58 AERO C SHIMANO 20H	1
20243	HUB, AERO-SLG 20H SHIMANO SP	1
20911	NIPPLE, HEX HIDDEN INTERNAL	20
21096	SPOKE, DT AEROL SP 282MM BLACK	10
21170	SPOKE, DT AEROL SP 280MM BLACK	10
63659	D RIM, INKJET, AERO 58 C 20H	1
	ACC KIT, AERO C SHIMANO	
20647	VALVE EXTENDER, 50MM STEM, TW	2
20363	RIM TAPE 22mm CLOTH 700C	2
20816	SKEWER, QR FRONT UPPER LEVEL	1
20817	SKEWER, QR REAR UPPER LEVEL	1
20797	BRAKE PAD, CRYO BL PWR SHIM 2PK	2
21190	0.9mm SPACER RING, SINGLE	2
73657	WS, 58 AERO C CAMPY 16/20H	1
73660	W, 58 AERO C CAMPY 20H	1
20606	HUB, AERO-SLG 20H CAMPY SP	1
20798	BRAKE PAD, BLUE PWR CAMPY	1



PART NO.	HUB COMPONENTS AND ACCESSORIES	QTY
21155	FREEHUB, REYNOLDS 9/10/11 SHIMANO	
20183	FREEHUB, REYNOLDS 9/10/11 CAMPY	
20189	CONVERSION KIT TO 9/10/11 SHIMANO	
20191	CONVERSION KIT TO 9/10/11 CAMPY	
21242	END CAP KIT FRONT HUB (PAIR)	
20700	REPLACEMENT AXLE FRONT HUB	
20173	BEARING, FRONT HUB 6802RS	2
20156	BEARING, 6902RS REAR HUB	2
20647	VALVE EXTENDER, 50MM STEM	2
20080	PLUG, AERO VALVE HOLE	2
85112	WHEEL BAG SINGLE, REYNOLDS	



2014 72AERO CLINCHER AERO ROAD

PART NO.	ITEM DESCRIPTION	QTY
73836	WS, 72 AERO C SHIMANO 16/20H	1
73838	W, 72 AERO C FRONT 16H	1
20453	HUB, FRONT AERO-SLG 16H S PULL	1
20911	NIPPLE, HEX HIDDEN INTERNAL	16
21094	SPOKE, DT AEROL SP 254MM BLACK	16
63838	D RIM, INKJET, AERO 72 C 16H	1
73839	W, 72 AERO C SHIMANO 20H	1
20243	HUB, AERO-SLG 20H SHIMANO SP	1
20911	NIPPLE, HEX HIDDEN INTERNAL	20
21168	SPOKE, DT AEROL SP 268MM BLACK	20
63839	D RIM, INKJET, AERO 72 C 20H	1
ACC KIT, AERO C SHIMANO		
20647	VALVE EXTENDER, 50MM STEM, TW	2
20363	RIM TAPE 22mm CLOTH 700C	2
20816	SKEWER, QR FRONT UPPER LEVEL	1
20817	SKEWER, QR REAR UPPER LEVEL	1
20797	BRAKE PAD, CRYO BL PWR SHIM 2PK	2
21190	0.9mm SPACER RING, SINGLE	2
73837	WS, 72 AERO C CAMPY 16/20H	1
73840	W, 72 AERO C CAMPY 20H	1
20606	HUB, AERO-SLG 20H CAMPY SP	1
20798	BRAKE PAD, BLUE POWER CAMPY	1

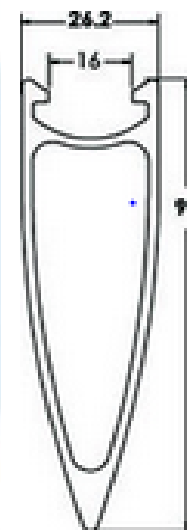


PART NO.	HUB COMPONENTS AND ACCESSORIES	QTY
21155	FREEHUB, REYNOLDS 9/10/11 SHIMANO	
20183	FREEHUB, REYNOLDS 9/10/11 CAMPY	
20189	CONVERSION KIT TO 9/10/11 SHIMANO	
20191	CONVERSION KIT TO 9/10/11 CAMPY	
21242	END CAP KIT FRONT HUB (PAIR)	
20700	REPLACEMENT AXLE FRONT HUB	
20173	BEARING, FRONT HUB 6802RS	2
20156	BEARING, 6902RS REAR HUB	2
20647	VALVE EXTENDER, 50MM STEM	2
20080	PLUG, AERO VALVE HOLE	2
85112	WHEEL BAG SINGLE, REYNOLDS	



2014 90AERO CLINCHER AERO ROAD

PART NO.	ITEM DESCRIPTION	QTY
73866	WS, 90 AERO C SHIMANO 16/20H	1
73868	W, 90 AERO C FRONT 16H	1
20453	HUB, FRONT AERO-SLG 16H S PULL	1
20911	NIPPLE, HEX HIDDEN INTERNAL	16
21175	SPOKE, DT AEROL SP 238MM BLACK	16
63868	D RIM, INKJET, AERO 90 C 16H	1
73869	W, 90 AERO C SHIMANO 20H	1
20243	HUB, AERO-SLG 20H SHIMANO SP	1
20911	NIPPLE, HEX HIDDEN INTERNAL	20
21093	SPOKE, DT AEROL SP 252MM BLACK	10
21094	SPOKE, DT AEROL SP 254MM BLACK	10
63869	D RIM, INKJET, AERO 90 C 20H	1
ACC KIT, AERO C SHIMANO		
20647	VALVE EXTENDER,,50MM STEM, TW	2
20363	RIM TAPE, 22mm CLOTH 700C	2
20816	SKEWER, QR FRONT UPPER LEVEL	1
20817	SKEWER, QR REAR UPPER LEVEL	1
20797	BRAKE PAD, CRYO BLU PWR SHIM	2
21190	0.9mm SPACER RING, SINGLE	2
73867	WS, 90 AERO C CAMPY 16/20H	1
73870	W, 90 AERO C CAMPY 20H	1
20606	HUB, AERO-SLG 20H CAMPY SP	1
20798	BRAKE PAD,CRYO BLU PWR CAMPY	2



PART NO.	HUB COMPONENTS AND ACCESSORIES	QTY
21155	FREEHUB, REYNOLDS 9/10/11 SHIMANO	
20183	FREEHUB, REYNOLDS 9/10/11 CAMPY	
20189	CONVERSION KIT TO 9/10/11 SHIMANO	
20191	CONVERSION KIT TO 9/10/11 CAMPY	
21242	END CAP KIT FRONT HUB (PAIR)	
20700	REPLACEMENT AXLE FRONT HUB	
20173	BEARING, FRONT HUB 6802RS	2
20156	BEARING, 6902RS REAR HUB	2
20641	VALVE EXTENDER, 85MM STEM	2
20080	PLUG, AERO VALVE HOLE	2
85112	WHEEL BAG SINGLE, REYNOLDS	



2014 REYNOLDS PERFORMANCE ROAD WHEELS



ATTACK



ASSAULT SLG



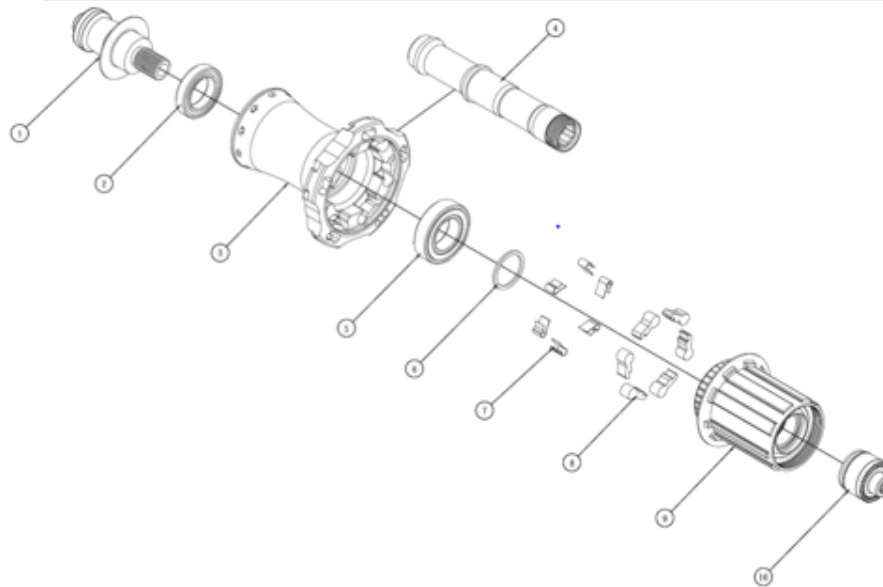
STRIKE SLG

WARNING: The information contained herein is proprietary and confidential to Reynolds Cycling and Reynolds Cycling affiliates. This document is not intended for public distribution or disclosure. This document may be referenced and reproduced for and by Reynolds Cycling and Reynolds Cycling affiliates only.



2014 PERFORMANCE REAR HUB: ATTACK, ASSAULT, STRIKE

LS1R / LS5R (Performance Shimano/Campy)



Item	Description	QTY	Campy		Shimano	
			Part No.	Part No.	Part No.	Part No.
1	End Cap (NDS)	1	21243**	21236**		
2	Bearing (6802)	1	20173	20173		
3	Hub Shell	1	-	-		
4	Axle	1	20698	20698		
5	Bearing (6902RS)	1	20156	20156		
6	Washer	1	-	-		
7	Spring	6	-	-		
8	Pawl	6	-	-		
9	Cassette Body Set	1	20072	21154		
10	End Cap (DS)	1	21243**	21236**		

Shimano Hub Options		Freehub Conversion Kit	
Part No.	Description	Part No.	Description
20451	HUB, PERFORMANCE SHIM 20H SP (LS1R)	20052*	Shimano (freehub, washer (6), seal, end caps, 11 speed)
20452	HUB, PERFORMANCE SHIM 24H SP (LS1R)	(20072 + 21243)***	Campy (freehub, washer (6), seal, no end caps, 9/10/11 spd)
20457	HUB, PERFORMANCE CAMPY 20H SP (LS1R)		
20458	HUB, PERFORMANCE CAMPY 24H SP (LS1R)		

* Shimano freehub body, part #21154, and end cap kit, part #21236, comprise the #20052 kit.

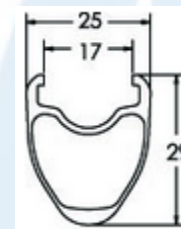
**Sold as set (DS, NDS)

***Only use drive side end cap and don't use .5mm washer included in #20072



2014 ATTACK CLINCHER PERFORMANCE ROAD

PART NO.	ITEM DESCRIPTION	QTY.
74280	WS, ATTACK C SHIM RB TL 20/24H	1
74282	W, ATTACK C FRONT RB TL 20H	1
20450	HUB, PERFORMANCE FRONT 20H SP	1
20311	NIPPLE, EXT BLACK ALLOY SQ HEAD	20
21354	SPOKE, DT AEROC SP 282MM BLACK	20
65282	D RIM, INKJET ATTK C RB TL 20H	1
74283	W, ATTACK C SHIMANO RB TL 24H	1
20452	HUB, PERFORMANCE SHIM 24H SP	1
20311	NIPPLE, EXT BLACK ALLOY SQ HEAD	24
20125	SPOKE, DT AEROC SP 284MM BLACK	12
21354	SPOKE, DT AEROC SP 282MM BLACK	12
65283	D RIM, INKJET ATTK C RB TL 24H	1
ACC KIT, ATTACK C RB SHIMANO		
21160	RIM STRIP, 18MM BLUE	1
20813	SKEWER, QR FRONT MID LEVEL	1
20814	SKEWER, QR REAR MID LEVEL	1
20797	BRAKE PAD, CRYO BL PWR SHIM 2PK	2
21190	0.9mm SPACER RING, SINGLE	2
74281	WS, ATTACK C CAMPY RB TL 20/24	1
74284	W, ATTACK C CAMPY RB TL 24H	1
20458	HUB, PERFORMANCE CAMPY 24H SP	1
20798	BRAKE PAD, CRYO BL PWR CAMP 2PK	2

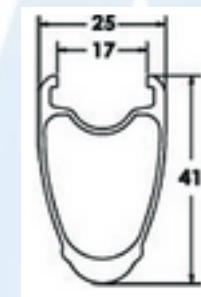


PART NO.	HUB COMPONENTS AND ACCESSORIES	QTY
21154 / 20699	FREEHUB, REYNOLDS 9/10/11 SHIMANO	
20072	FREEHUB, REYNOLDS 9/10/11 CAMPY	
21242	END CAP KIT FRONT HUB (PAIR)	
21243	END CAP KIT REAR HUB (PAIR)	
20700	REPLACEMENT AXLE FRONT HUB	
20698	REPLACEMENT AXLE REAR HUB	
20173	BEARING, FRONT HUB 6802RS	2
20156	BEARING, 6902RS REAR HUB DRIVE SIDE	1
20173	BEARING, 6802RS REAR HUB N/D SIDE	1



2014 ASSAULT SLG CLINCHER PERFORMANCE ROAD

PART NO.	ITEM DESCRIPTION	QTY
74381	WS, ASSAULT C SHIM RB TL 20/24	1
74383	W, ASSAULT C FRONT RB TL 20H	1
20450	HUB, PERFORMANCE FRONT 20H SP	1
20311	NIPPLE, EXT BLACK ALLOY SQ HEAD	20
20256	SPOKE, DT AEROC SP 270MM BLACK	20
65383	D RIM, INKJET ASLT C RB TL 20H	1
74384	W, ASSAULT C SHIMANO RB TL 24H	1
20452	HUB, PERFORMANCE SHIM 24H SP	1
20311	NIPPLE, EXT BLACK ALLOY SQ HEAD	24
20256	SPOKE, DT AEROC SP 270MM BLACK	12
20434	SPOKE, DT AEROC SP 272MM BLACK	12
65384	D RIM, INKJET ASLT C RB TL 24H	1
	ACC KIT, ASLT C RB TL R SHIM	
21158	RIM STRIP, 18MM BLUE	1
20813	SKEWER, QR FRONT MID LEVEL	1
20814	SKEWER, QR REAR MID LEVEL	1
20797	BRAKE PAD, CRYO BL PWR SHIM 2P	2
21190	0.9mm SPACER RING, SINGLE	2
74382	WS, ASSAULT C CAMPY RB TL 20/24	1
74385	W, ASSAULT C CAMPY RB TL 24H	1
20458	HUB, PERFORMANCE CAMPY 24H SP	1
20798	BRAKE PAD, CRYO BL PWR CAMP 2PI	2

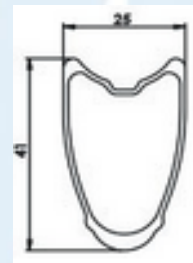


PART NO.	HUB COMPONENTS AND ACCESSORIES	QTY
21154 / 20699	FREEHUB, REYNOLDS 9/10/11 SHIMANO	
20072	FREEHUB, REYNOLDS 9/10/11 CAMPY	
21242	END CAP KIT FRONT HUB (PAIR)	
21243	END CAP KIT REAR HUB (PAIR)	
20700	REPLACEMENT AXLE FRONT HUB	
20698	REPLACEMENT AXLE REAR HUB	
20173	BEARING, FRONT HUB 6802RS	2
20156	BEARING, 6902RS REAR HUB DRIVE SIDE	1
20173	BEARING, 6802RS REAR HUB N/D SIDE	1



2014 ASSAULT SLG TUBULAR PERFORMANCE ROAD

PART NO.	ITEM DESCRIPTION	QTY.
74376	WS, ASSAULT T SHIMANO RB 20/24	1
74378	W, ASSAULT T FRONT 20H	1
20450	HUB, PERFORMANCE FRONT 20H SP	1
20311	NIPPLE, EXT BLACK ALLOY SQ HEAD	20
20256	SPOKE, DT AEROC SP 270MM BLACK	20
64378	D RIM, INKJET ASLT T RB 20H	1
74379	W, ASSAULT T SHIMANO 24H	1
20452	HUB, PERFORMANCE SHIM 24H SP	1
20311	NIPPLE, EXT BLACK ALLOY SQ HEAD	24
20256	SPOKE, DT AEROC SP 270MM BLACK	12
20434	SPOKE, DT AEROC SP 272MM BLACK	12
64379	D RIM, INKJET ASLT T RB 24H	1
	ACC KIT, ASSAULT T RB SHIMANO	1
20813	SKEWER, QR FRONT MID LEVEL	1
20814	SKEWER, QR REAR MID LEVEL	1
20797	BRAKE PAD, CRYO BL PWR SHIM 2PK	2
21190	0.9mm SPACER RING, SINGLE	2
74377	WS, ASSAULT T CAMPY RB 20/24H	1
74380	W, ASSAULT T CAMPY 24H	1
20458	HUB, PERFORMANCE CAMPY 24H SP	1
20798	BRAKE PAD, CRYO BL PWR CAMP 2PK	2

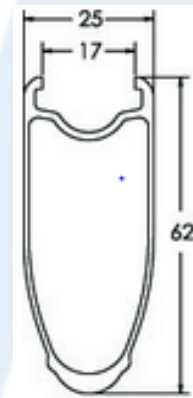


PART NO.	HUB COMPONENTS AND ACCESSORIES	QTY
21154 / 20699	FREEHUB, REYNOLDS 9/10/11 SHIMANO	
20072	FREEHUB, REYNOLDS 9/10/11 CAMPY	
21242	END CAP KIT FRONT HUB (PAIR)	
21243	END CAP KIT REAR HUB (PAIR)	
20700	REPLACEMENT AXLE FRONT HUB	
20698	REPLACEMENT AXLE REAR HUB	
20173	BEARING, FRONT HUB 6802RS	2
20156	BEARING, 6902RS REAR HUB DRIVE SIDE	1
20173	BEARING, 6802RS REAR HUB N/D SIDE	1



2014 STRIKE SLG CLINCHER PERFORMANCE ROAD

PART NO.	ITEM DESCRIPTION	QTY.
74376	WS, ASSAULT T SHIMANO RB 20/24	1
74378	W, ASSAULT T FRONT 20H	1
20450	HUB, PERFORMANCE FRONT 20H SP	1
20311	NIPPLE, EXT BLACK ALLOY SQ HEAD	20
20256	SPOKE, DT AEROC SP 270MM BLACK	20
64378	D RIM, INKJET ASLT T RB 20H	1
74379	W, ASSAULT T SHIMANO 24H	1
20452	HUB, PERFORMANCE SHIM 24H SP	1
20311	NIPPLE, EXT BLACK ALLOY SQ HEAD	24
20256	SPOKE, DT AEROC SP 270MM BLACK	12
20434	SPOKE, DT AEROC SP 272MM BLACK	12
64379	D RIM, INKJET ASLT T RB 24H	1
	ACC KIT, ASSAULT T RB SHIMANO	1
20813	SKEWER, QR FRONT MID LEVEL	1
20814	SKEWER, QR REAR MID LEVEL	1
20797	BRAKE PAD, CRYO BL PWR SHIM 2PK	2
21190	0.9mm SPACER RING, SINGLE	2
74377	WS, ASSAULT T CAMPY RB 20/24H	1
74380	W, ASSAULT T CAMPY 24H	1
20458	HUB, PERFORMANCE CAMPY 24H SP	1
20798	BRAKE PAD, CRYO BL PWR CAMP 2PK	2



PART NO.	HUB COMPONENTS AND ACCESSORIES	QTY
154 / 20699	FREEHUB, REYNOLDS 9/10/11 SHIMANO	
20072	FREEHUB, REYNOLDS 9/10/11 CAMPY	
21242	END CAP KIT FRONT HUB (PAIR)	
21243	END CAP KIT REAR HUB (PAIR)	
20700	REPLACEMENT AXLE FRONT HUB	
20698	REPLACEMENT AXLE REAR HUB	
20173	BEARING, FRONT HUB 6802RS	2
20156	BEARING, 6902RS REAR HUB DRIVE SIDE	1
20173	BEARING, 6802RS REAR HUB N/D SIDE	1

Page 1



2014 REYNOLDS PERFORMANCE ROAD DISC WHEELS



**ASSAULT
ROAD DISC**



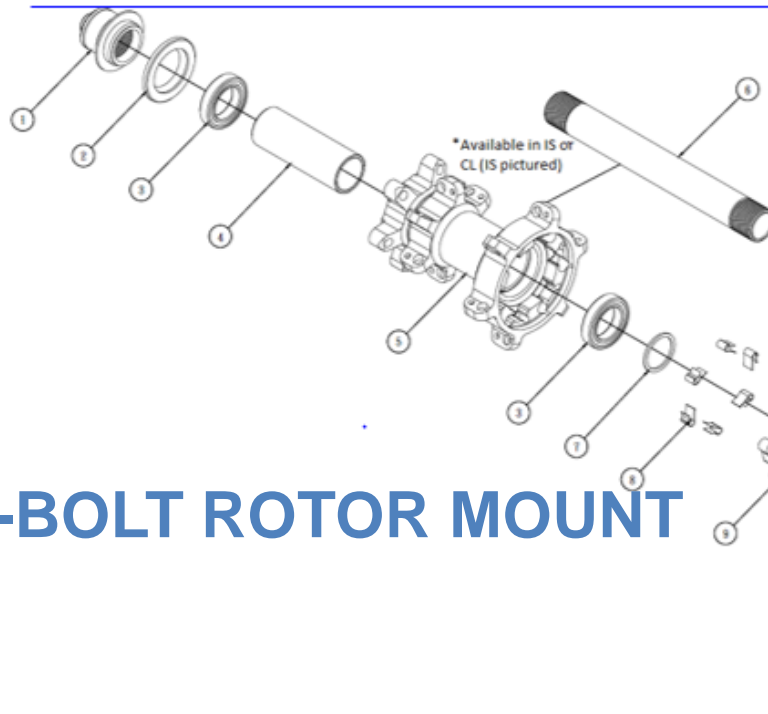
**ATR: ALL TERRAIN
ROAD DISC - GRAVEL**

WARNING: The information contained herein is proprietary and confidential to Reynolds Cycling and Reynolds Cycling affiliates. This document is not intended for public distribution or disclosure. This document may be referenced and reproduced for and by Reynolds Cycling and Reynolds Cycling affiliates only.



2014 PERFORMANCE DISC REAR HUB: ASSAULT & ATR

QL-Y2SR (Road Disc)



Item	Description	QTY	Shimano Part No.
1	End Cap (NDS)	1	See Table
2	Internal Seal	1	-
3	Bearing (6802)	1	20173**
4	Bushing	1	-
5	Hub Shell	1	-
6	Axle	1	-
7	Washer	1	20699
8	Spring	6	-
9	Pawl	6	-
10	Internal Seal	1	20699
11	Cassette Body	1	20699
12	End Cap (DS)	1	See Table

** (CL) V bearings

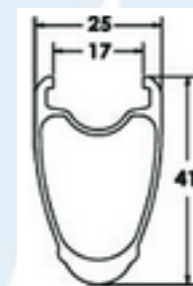
ISO/6-BOLT ROTOR MOUNT

Hub Options		End Caps	
Part No.	Description	Part No.	Description
20325	HUB, CL DB SHIM 24H SP QR (CL)	21257	END CAPS, QR 5.2 REAR BLK 2014 (IS)
21305	HUB, PERF DISC BRK SHIM 24H SP (IS)	21258	END CAPS, 10x135mm BLK 2014 (IS)
20321	HUB, CL DB SHIM 24H SP 12x142mm (CL)	21259	END CAP, 12x142mm BLK 2014 (IS)
		CL:	DS same as MTN, NDS Different TBD



2014 ASSAULT SLG CLINCHER ROAD DISC BRAKE

PART NO.	ITEM DESCRIPTION	QTY
74366	WS, ASSAULT C SHIM DB TL 24/24	1
74368	W, ASSAULT C FRONT DB TL 24H	1
20324	HUB, PERFORMANCE CL DB FRT 24H SP	1
20311	NIPPLE,EXT BLACK ALLOY SQ HEAD	24
21351	SPOKE, DT AEROC SP 278MM BLACK	12
21352	SPOKE, DT AEROC SP 280MM BLACK	12
65369	D RIM, INKJET ASLT C DB TL 24H	1
74369	W, ASSAULT C SHIM DB TL 24H	1
20325	HUB, PERFORMANCE CL DB SHIM 24H SP	1
20311	NIPPLE,EXT BLACK ALLOY SQ HEAD	24
21351	SPOKE, DT AEROC SP 278MM BLACK	12
21352	SPOKE, DT AEROC SP 280MM BLACK	12
65369	D RIM, INKJET ASLT C DB TL 24H	1
ACC KIT, ASSAULT C DB SHIMANO		
21158	RIM STRIP, 18MM BLUE	1
20813	SKEWER, QR FRONT MID LEVEL	1
20815	SKEWER, QR REAR MID LEVEL MTN	1
21190	0.9mm SPACER RING, SINGLE	2

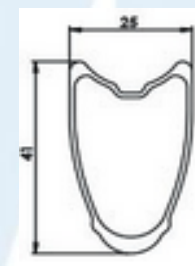


PART NO.	HUB COMPONENTS AND ACCESSORIES	QTY
21154 / 20699	FREEHUB, REYNOLDS 9/10/11 SHIMANO	
20072	FREEHUB, REYNOLDS 9/10/11 CAMPY	
20322	END CAP KIT FRONT ROAD DISC 15MM (PAIR)	
20323	END CAP KIT REAR ROAD DISC 142X12MM (PAIR)	
20695	REPLACEMENT AXLE DISC REAR HUB	
21289	CENTERLOCK BRAKE ADAPTER	2
20157	BEARING, FRONT HUB 6802RS	3
20157	BEARING, REAR HUB 6802RS	2



2014 ASSAULT SLG TUBULAR ROAD DISC BRAKE

PART NO.	ITEM DESCRIPTION	QTY.
74371	WS, ASSAULT T SHIM DB CL 24/24	1
74373	W, ASSAULT T FRONT DB CL 24H	1
20324	HUB, PERFORMANCE CL DB FRT 24H SP	1
20311	NIPPLE, EXT BLACK ALLOY SQ HEAD	24
21351	SPOKE, DT AEROC SP 278MM BLACK	12
21352	SPOKE, DT AEROC SP 280MM BLACK	12
65374	D RIM, INKJET ASSAULT T DB 24H	1
74374	W, ASSAULT T SHIMANO DB CL 24H	1
20325	HUB, PERFORMANCE CL DB SHIM 24H SP	1
20311	NIPPLE, EXT BLACK ALLOY SQ HEAD	24
21351	SPOKE, DT AEROC SP 278MM BLACK	12
21352	SPOKE, DT AEROC SP 280MM BLACK	12
65374	D RIM, INKJET ASSAULT T DB 24H	1
	ACC KIT, ASLT T DB SHIMANO	
20813	SKEWER, QR FRONT MID LEVEL	1
20815	SKEWER, QR REAR MID LEVEL MTN	1
21190	0.9mm SPACER RING, SINGLE	1

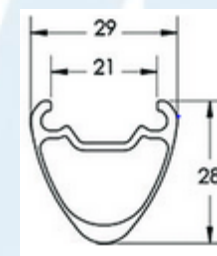


PART NO.	HUB COMPONENTS AND ACCESSORIES	QTY
154 / 20699	FREEHUB, REYNOLDS 9/10/11 SHIMANO	
20072	FREEHUB, REYNOLDS 9/10/11 CAMPY	
20322	END CAP KIT FRONT ROAD DISC 15MM (PAIR)	
20323	END CAP KIT REAR ROAD DISC 142X12MM (PAIR)	
20695	REPLACEMENT AXLE DISC REAR HUB	
21289	CENTERLOCK BRAKE ADAPTER	2
20157	BEARING, FRONT HUB 6802RS	3
20157	BEARING, REAR HUB 6802RS	2



2014 ATR: ALL TERRAIN ROAD TUBELESS GRAVEL / ROAD DISC CLINCHER

PART NO.	ITEM DESCRIPTION	QTY
80991	WS, 29AM ATR GRAVEL MTN	1
80911	W, 29AM ATR GRAVEL FRONT CL 24	1
20324	HUB, PERFORMANCE CL DB FRT 24H	1
20996	NIPPLE, 12MM BLACK EXTERNAL	24
20221	SPOKE, DT REV SP 288MM BLACK	24
51543	D RIM, MTN 29er TUBELESS C 24H	1
21449	DECAL, 29AM ATR GRAVEL	1
80912	W, 29AM ATR GRAVEL FRONT CL 24	1
20325	HUB, PERFORMANCE CL DB SHIM 24H	1
20996	NIPPLE, 12MM BLACK EXTERNAL	24
20220	SPOKE, DT REV SP 286MM BLACK	12
20222	SPOKE, DT REV SP 290MM BLACK	12
51543	D RIM, MTN 29er TUBELESS C 24H	1
21449	DECAL, 29AM ATR GRAVEL	1
85209	ACC KIT, 29AM ATR GRAVEL	1
20904	VALVE STEM, AM 45MM LONG	2
20907	RIM TAPE, TUBELESS 25MM 11 M	2
20813	SKEWER, QR FRONT MID LEVEL	1
20815	SKEWER, QR REAR MID LEVEL MTN	1
21190	0.9mm SPACER RING, SINGLE	1



PART NO.	HUB COMPONENTS AND ACCESSORIES	QTY
21154 / 20699	FREEHUB, REYNOLDS 9/10/11 SHIMANO	
20072	FREEHUB, REYNOLDS 9/10/11 CAMPY	
20322	END CAP KIT FRONT ROAD DISC 15MM (PAIR)	
20323	END CAP KIT REAR ROAD DISC 142X12MM (PAIR)	
20695	REPLACEMENT AXLE DISC REAR HUB	
21289	CENTERLOCK BRAKE ADAPTER	2
20157	BEARING, FRONT HUB 6802RS	3
20157	BEARING, REAR HUB 6802RS	2



2014 REYNOLDS ALLOY ROAD TUBELESS WHEELS



STRATUS PRO



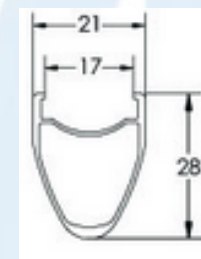
STRATUS PRO DISC

WARNING: The information contained herein is proprietary and confidential to Reynolds Cycling and Reynolds Cycling affiliates. This document is not intended for public distribution or disclosure. This document may be referenced and reproduced for and by Reynolds Cycling and Reynolds Cycling affiliates only.



2014 STRATUS PRO ALLOY ROAD

PART NO.	ITEM DESCRIPTION	QTY
74721	WS, STRATUS PRO SHIM RB 20/24H	1
74723	W, STRATUS PRO RB FRONT 20H	1
20454	HUB, FRONT AERO-SLG 20H S PULL	1
20311	NIPPLE, EXT BLACK ALLOY SQ HEAD	20
21354	SPOKE, DT AEROC SP 282MM BLACK	20
20560	RIM, STRATUS PRO 20H RB BLK	1
74724	W, STRATUS PRO RB SHIM 24H	1
21325	HUB, ALLOY ROAD SP SHIM 24H	1
20311	NIPPLE, EXT BLACK ALLOY SQ HEAD	24
21297	SPOKE, DT AEROC SP 288MM BLACK	12
21299	SPOKE, DT AEROC SP 292MM BLACK	12
20561	RIM, STRATUS PRO 24H RB BLK	1
	ACC KIT, STRATUS PRO RB SHIM	
21160	RIM STRIP 18mm 700C 1 W/O HT BLU	2
20813	SKEWER, QR FRONT MID LEVEL	1
20814	SKEWER, QR REAR MID LEVEL	1
21190	0.9mm SPACER RING, SINGLE	2
74722	WS, STRATUS PRO CAMPY RB 20/24H	1
74725	W, STRATUS PRO RB CAMPY 24H	1
20329	HUB, ALLOY ROAD SP CAMPY 24H	1

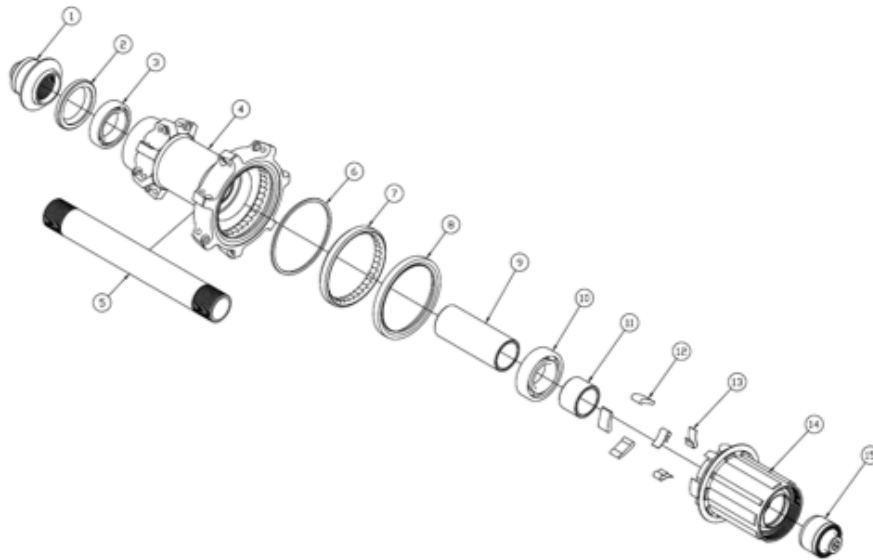


PART NO.	HUB COMPONENTS AND ACCESSORIES	QTY
21154 / 20699	FREEHUB, REYNOLDS 9/10/11 SHIMANO	
20072	FREEHUB, REYNOLDS 9/10/11 CAMPY	
21242	END CAP KIT FRONT HUB (PAIR)	
21243	END CAP KIT REAR HUB (PAIR)	
20700	REPLACEMENT AXLE FRONT HUB	
20698	REPLACEMENT AXLE REAR HUB	
20157	BEARING, FRONT HUB 6802RS	2
20157	BEARING, 6802RS REAR DRIVE SIDE	1
20157	BEARING, 6802RS REAR N/D SIDE	1



2014 STRATUS PRO REAR HUB

QL-2LAR / QL-2LDR (Stratus Pro Campy/Shimano)



Item	Description	QTY	Campy	Shimano
			Part No.	Part No.
1	End Cap (NDS)	1	-	-
2	Internal Seal	1	-	-
3	Bearing (6802)	1	20173	20173
4	Hub Shell	1	-	-
5	Axle	1	-	-
6	Washer	1	-	-
7	Ratchet Ring	1	-	-
8	Internal Seal	1	-	-
9	Bushing	1	-	-
10	Bearing (6902RS)	1	20173	20173
11	Bushing	1	-	-
12	Pawl	3	-	-
13	Spring	3	-	-
14	Cassette Body Set	1	See Table	See Table
15	End Cap (DS)	1	-	-

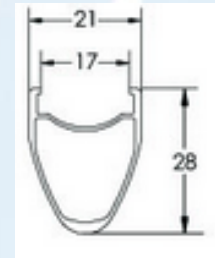
• End caps are identical for Campy and Shimano

Hub Options		Freehub Conversion Kits	
Part No.	Description	Part No.	Description
21325	HUB, ALLOY ROAD SP SHIM 24H (2LAR)	20593	Freehub Only-Shimano
20329	HUB, ALLOY ROAD SP CAMPY 24H (DO NOT ORDER)	20594	Freehub Kit (includes freehub, end caps, (11) spacer, 2 (2,8) seals, & (6) washer)-Shimano
		20595	Freehub Only-Campy
		20599	Freehub Kit (includes freehub, end caps, (11) spacer, 2 (2,8) seals, & (6) washer)-Campy



2014 STRATUS PRO ALLOY ROAD DISC

PART NO.	ITEM DESCRIPTION	QTY
74726	WS, STRATUS PRO SHIM DB24/24H	1
74728	W, STRATUS PRO DB FRONT 20H	1
21324	HUB, PERFORMANCE CL DB FRT 24H	1
20996	NIPPLE, EXTERNAL ALLOY BLACK	24
20203	SPOKE, DT COMP SP 286MM BLACK	12
20240	SPOKE, DT COMP SP 288MM BLACK	12
20562	RIM, STRATUS PRO 24H DB BLK	1
74729	W, STRATUS PRO DB SHIM 24H	1
20325	HUB, PERFORMANCE CL DB 24H	1
20996	NIPPLE, EXTERNAL ALLOY BLACK	24
20203	SPOKE, DT COMP SP 286MM BLACK	12
20391	SPOKE, DT COMP SP 289MM BLACK	12
20562	RIM, STRATUS PRO 24H DB BLK	1
ACC KIT, STRATUS PRO DB SHIM		
21160	RIM STRIP 18mm 700C 1 WOHT BLU	2
20813	SKEWER, QR FRONT MID LEVEL	1
20815	SKEWER, QR REAR MID LEVEL MTN	1
21190	0.9mm SPACER RING, SINGLE	2

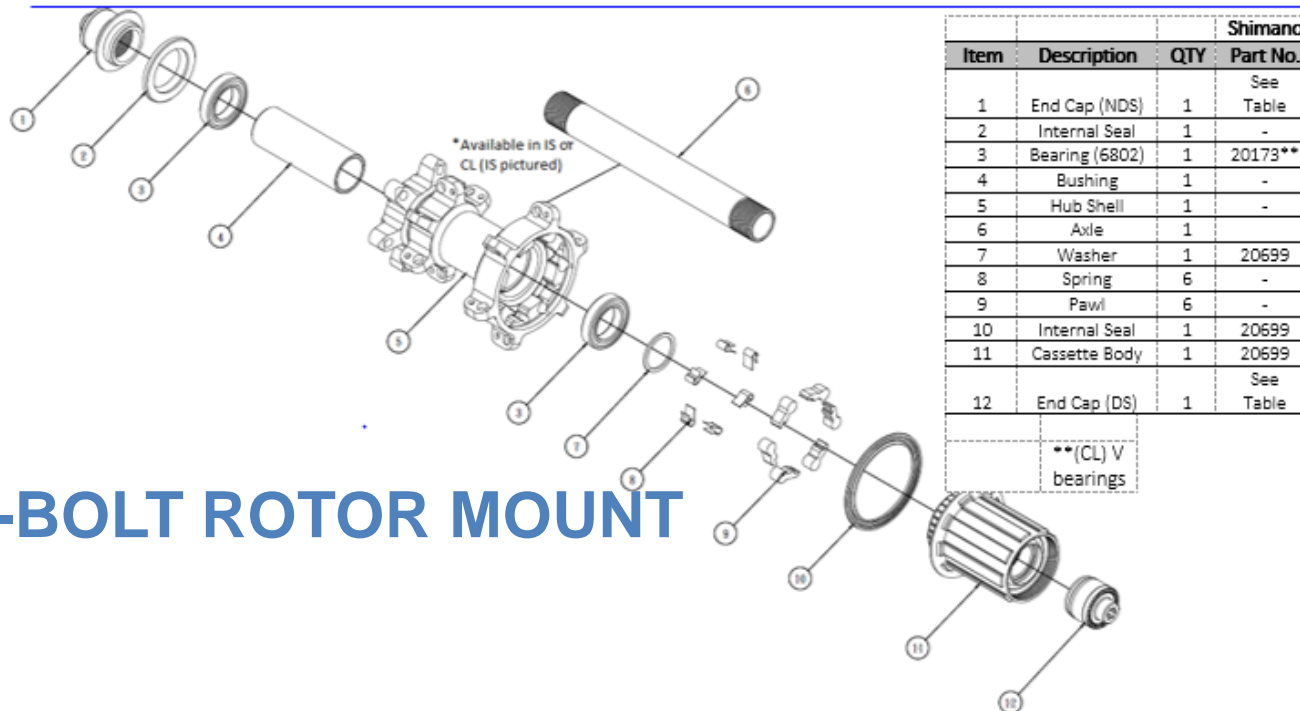


PART NO.	HUB COMPONENTS AND ACCESSORIES	QTY
21154 / 20699	FREEHUB, REYNOLDS 9/10/11 SHIMANO	
20072	FREEHUB, REYNOLDS 9/10/11 CAMPY	
20322	END CAP KIT FRONT ROAD DISC 15MM (PAIR)	
20323	END CAP KIT REAR ROAD DISC 142X12MM (PAIR)	
20695	REPLACEMENT AXLE DISC REAR HUB	
21289	CENTERLOCK BRAKE ADAPTER	2
20157	BEARING, FRONT HUB 6802RS	3
20157	BEARING, REAR HUB 6802RS	2



2014 STRATUS PRO DISC REAR HUB

QL-Y2SR (Road Disc)



Item	Description	QTY	Shimano Part No.
1	End Cap (NDS)	1	See Table
2	Internal Seal	1	-
3	Bearing (6802)	1	20173**
4	Bushing	1	-
5	Hub Shell	1	-
6	Axle	1	-
7	Washer	1	20699
8	Spring	6	-
9	Pawl	6	-
10	Internal Seal	1	20699
11	Cassette Body	1	20699
12	End Cap (DS)	1	See Table

** (CL) V bearings

ISO/6-BOLT ROTOR MOUNT

Hub Options		End Caps	
Part No.	Description	Part No.	Description
20325	HUB, CL DB SHIM 24H SP QR (CL)	21257	END CAPS, QR 5.2 REAR BLK 2014 (IS)
21305	HUB, PERF DISC BRK SHIM 24H SP (IS)	21258	END CAPS, 10x135mm BLK 2014 (IS)
20321	HUB, CL DB SHIM 24H SP 12x142mm (CL)	21259	END CAP, 12x142mm BLK 2014 (IS)
		CL:	DS same as MTN, NDS Different TBD



2014 REYNOLDS SUMMIT CARBON MOUNTAIN WHEELS



27.5XC



27.5AM



29XC

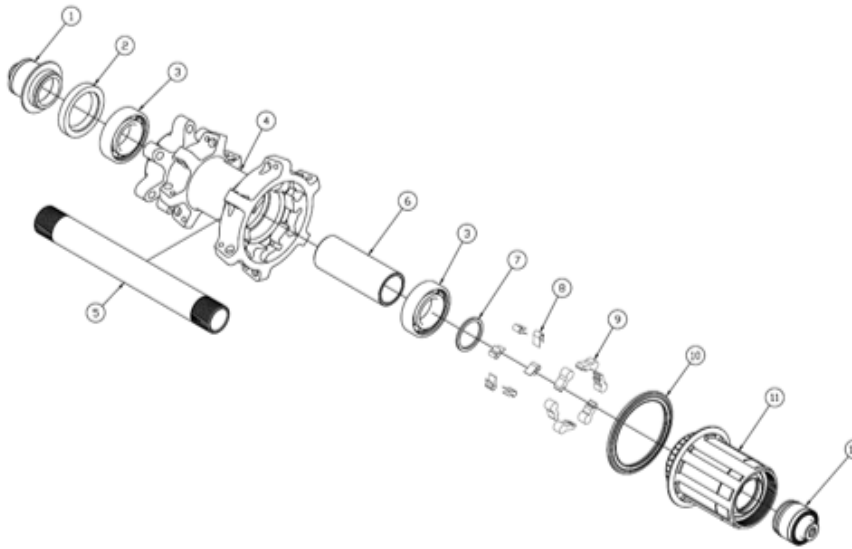


29TRAIL



2014 SUMMIT CARBON MTN DISC REAR HUB

QL-YLBR / QL-YLSR (MTN Rear Shimano / XX1)



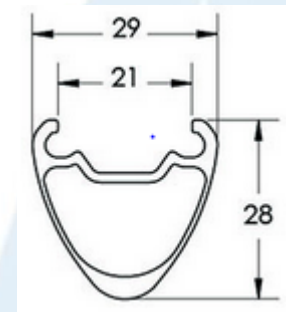
Item	Description	QTY	XX1		Shimano	
			Part No.	Part No.	Part No.	Part No.
1	End Cap (NDS)	1	See Table	See Table		
2	Internal Seal	1	21290*	--		
3	Bearing (6902)	2	20156	20156		
4	Hub Shell	1	See Table	See Table		
5	Axle	1	20702**	20702**		
6	Bushing	1	--	--		
7	Washer	1	21290*	20699*		
8	Spring	6	--	--		
9	Pawl	6	--	--		
10	Internal Seal	1	21290*	20699*		
11	Cassette Body	1	21290*	20699*		
12	End Cap (DS)	1	See Table	See Table		
			*Included in Free hub kit 21290			
			* Included in Free hub kit 20699			
			**Includes axle, end caps (DS, NDS), 6902 bearing, 15268 bearing in freehub, (7) washer, (8) 6 springs, (9) 6 Pawl, (10) seal			

End Caps		Freehub Kits	
Part No.	Description	Part No.	Description
21253	END CAP, QR 5.2 REAR RED 2014	21290	FREEHUB XX1 KIT, MTN KT (includes: freehub body with seals and S&S bearings compatible with existing KT end caps)
21257	END CAP, QR 5.2 REAR BLK 2014	20699	FREEHUB, REV MTN 9/10/11 SHIM (includes: freehub body with seals and S&S bearings)
21254	END CAP, 10 X 135mm, RED 2014		
21258	END CAP, 10 X 135mm, BLK 2014		
21255	END CAP, 12 X 142mm, RED 2014		
21259	END CAP, 12 X 142mm, BLK 2014		



2014 SUMMIT 27.5XC TUBELESS CARBON MTN

PART NO.	ITEM DESCRIPTION	QTY
74566	WS, MTN SUMMIT 27.5 XC RED 28/28	1
74568	W, MTN SUMMIT 27.5 C RED FRT 28H	1
20985	HUB, MTN SUMMIT RED FRONT 28H	1
20822	NIPPLE, 12MM RED EXTERNAL	28
20246	SPOKE, DT COMP SP 279MM BLACK	14
20490	SPOKE, DT COMP SP 277MM BLACK	14
53513	D RIM, MTN 650b TUBELESS C 28H	1
21309	DECAL, 27.5 XC 2014	1
74569	W, MTN SUMMIT 27.5C RED REAR 28H	1
21248	HUB, MTN SUMMIT RED REAR 28H SP 2014	1
20822	NIPPLE, 12MM RED EXTERNAL	28
20399	SPOKE, DT COMP SP 275MM BLACK	14
20490	SPOKE, DT COMP SP 277MM BLACK	14
53513	D RIM, MTN 650b TUBELESS C 28H	1
21309	DECAL, 27.5 XC 2014	1
	ACC KIT, MTN SUMMIT 27.5 XC	
20904	VALVE STEM, AM 45MM LONG	2
20907	RIM TAPE, TUBELESS 25MM 11M	2
20813	SKEWER, QR FRONT MID LEVEL	1
20815	SKEWER, QR REAR MID LEVEL MTN	1
21190	0.9mm SPACER RING, SINGLE	1

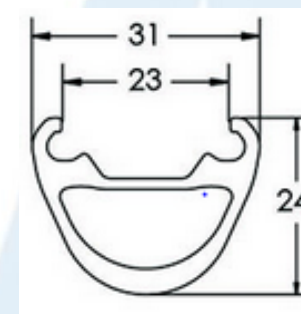


PART NO.	HUB COMPONENTS AND ACCESSORIES	QTY.
20699	FREEHUB, REYNOLDS 9/10/11 SHIMANO	
21290	FREEHUB, REYNOLDS SRAM XD 11 SPEED	
21238	END CAP MTN , SUMMIT RED QR FRONT	
20214	END CAP MTN , SUMMIT RED 15MM FRONT	
20215	END CAP MTN , SUMMIT RED 20MM FRONT	
21253	END CAP MTN , SUMMIT RED QR REAR	
21254	END CAP MTN , SUMMIT RED 135X10MM REAR	
21255	END CAP MTN , SUMMIT RED 142X12MM REAR	
20695	REAR AXLE DISC MTN HUB	
20160	BEARING, FRONT HUB 6805LLB	2
20156	BEARING, REAR HUB 6902RS	2



2014 SUMMIT 27.5AM TUBELESS CARBON MTN

PART NO.	ITEM DESCRIPTION	QTY
74561	WS, MTN SUMMIT 27.5 AM C RED 28/28H	1
74563	W, MTN SUMMIT 27.5 AM C RED FRT 28H	1
20985	HUB, MTN SUMMIT RED FRONT 28H	1
20822	NIPPLE, 12MM RED EXTERNAL	28
20202	SPOKE, DT COMP SP 282MM BLACK	14
20247	SPOKE, DT COMP SP 281MM BLACK	14
54563	D RIM, MTN 27.5 C AM 28H	1
21310	DECAL, 27.5 AM 2014	1
74564	W, MTN SUMMIT 27.5 AM C RED REAR	1
21248	HUB, MTN SUMMIT RED REAR 28H SP	1
20822	NIPPLE, 12MM RED EXTERNAL	28
20047	SPOKE, DT COMP SP 280MM BLACK	14
20247	SPOKE, DT COMP SP 281MM BLACK	14
54563	D RIM, MTN 27.5 C AM 28H	1
21310	DECAL, 27.5 AM 2014	1
W ACC KIT, MTN SUMMIT 27.5 AM		
20904	VALVE STEM, AM 45MM LONG	2
20907	RIM TAPE, TUBELESS 25MM 11 M	2
20813	SKEWER, QR FRONT MID LEVEL	1
20815	SKEWER, QR REAR MID LEVEL MTN	1
21190	0.9mm SPACER RING, SINGLE	1

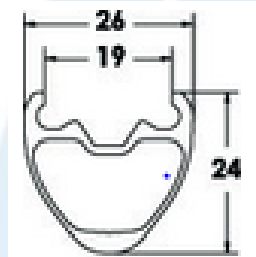


PART NO.	HUB COMPONENTS AND ACCESSORIES	QTY.
20699	FREEHUB, REYNOLDS 9/10/11 SHIMANO	
21290	FREEHUB, REYNOLDS SRAM XD 11 SPEED	
21238	END CAP MTN , SUMMIT RED QR FRONT	
20214	END CAP MTN , SUMMIT RED 15MM FRONT	
20215	END CAP MTN , SUMMIT RED 20MM FRONT	
21253	END CAP MTN , SUMMIT RED QR REAR	
21254	END CAP MTN , SUMMIT RED 135X10MM REAR	
21255	END CAP MTN , SUMMIT RED 142X12MM REAR	
20695	REAR AXLE DISC MTN HUB	
20160	BEARING, FRONT HUB 6805LLB	2
20156	BEARING, REAR HUB 6902RS	2



2014 SUMMIT 29XC TUBELESS CARBON MTN

PART NO.	ITEM DESCRIPTION	QTY
74571	WS, MTN SUMMIT 29er XC RED 28/28H	1
74573	W, MTN SUMMIT 29er XC FRONT RED 28H	1
20985	HUB, MTN SUMMIT RED FRONT 28H	1
20822	NIPPLE, 12MM RED EXTERNAL	28
20393	SPOKE, DT COMP SP 299MM BLACK	14
20531	SPOKE, DT COMP SP 301MM BLACK	14
54573	D RIM, MTN 29er XC C 28H 2014	1
21307	DECAL, XC 29ER 2014	1
74574	W, MTN SUMMIT 29er XC REAR RED 28H	1
21248	HUB, MTN SUMMIT RED REAR 28H SP 2014	1
20822	NIPPLE, 12MM RED EXTERNAL	28
20393	SPOKE, DT COMP SP 299MM BLACK	14
20530	SPOKE, DT COMP SP 298MM BLACK	14
54573	D RIM, MTN 29er XC C 28H 2014	1
21307	DECAL, XC 29ER 2014	1
	ACC KIT, MTN 29er XC 2014	
20903	VALVE STEM, XC 37MM LONG	2
20905	RIM TAPE, TUBELESS 22MM 11 M	2
20813	SKEWER, QR FRONT MID LEVEL	1
20815	SKEWER, QR REAR MID LEVEL MTN	1
21190	0.9mm SPACER RING, SINGLE	1

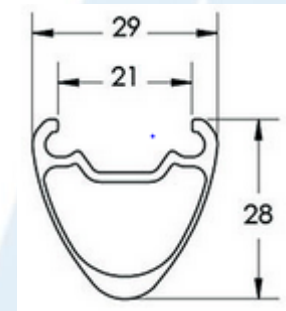


PART NO.	HUB COMPONENTS AND ACCESSORIES	QTY.
20699	FREEHUB, REYNOLDS 9/10/11 SHIMANO	
21290	FREEHUB, REYNOLDS SRAM XD 11 SPEED	
21238	END CAP MTN , SUMMIT RED QR FRONT	
20214	END CAP MTN , SUMMIT RED 15MM FRONT	
20215	END CAP MTN , SUMMIT RED 20MM FRONT	
21253	END CAP MTN , SUMMIT RED QR REAR	
21254	END CAP MTN , SUMMIT RED 135X10MM REAR	
21255	END CAP MTN , SUMMIT RED 142X12MM REAR	
20695	REAR AXLE DISC MTN HUB	
20160	BEARING, FRONT HUB 6805LLB	2
20156	BEARING, REAR HUB 6902RS	2



2014 SUMMIT 29TRAIL TUBELESS CARBON MTN

PART NO.	ITEM DESCRIPTION	QTY
73547	WS, MTN SUMMIT 29er TRAIL 28/28	1
73544	W, MTN SUMMIT 29er TRAIL RED FRT 28H	1
20985	HUB, MTN SUMMIT RED FRONT 28H	1
20822	NIPPLE, 12MM RED EXTERNAL	28
20049	SPOKE, DT COMP SP 296MM BLACK	14
20207	SPOKE, DT COMP SP 297MM BLACK	14
51544	D RIM, MTN 29er TUBELESS C 28H	1
20992	DECAL, MTN 29ER RED	1
73545	W, MTN SUMMIT 29er TRAIL RED REAR 28H	1
21248	HUB, MTN SUMMIT RED REAR 28H SP	1
20822	NIPPLE, 12MM RED EXTERNAL	28
20049	SPOKE, DT COMP SP 296MM BLACK	14
20400	SPOKE, DT COMP SP 295MM BLACK	14
51544	D RIM, MTN 29er TUBELESS C 28H	1
20992	DECAL, MTN 29ER RED	1
ACC KIT, AM & MTN 29er		
20904	VALVE STEM, AM 45MM LONG	2
20907	RIM TAPE, TUBELESS 25MM 11 M	2
20813	SKEWER, QR FRONT MID LEVEL	1
20815	SKEWER, QR REAR MID LEVEL MTN	1
21190	0.9mm SPACER RING, SINGLE	1



PART NO.	HUB COMPONENTS AND ACCESSORIES	QTY.
20699	FREEHUB, REYNOLDS 9/10/11 SHIMANO	
21290	FREEHUB, REYNOLDS SRAM XD 11 SPEED	
21238	END CAP MTN , SUMMIT RED QR FRONT	
20214	END CAP MTN , SUMMIT RED 15MM FRONT	
20215	END CAP MTN , SUMMIT RED 20MM FRONT	
21253	END CAP MTN , SUMMIT RED QR REAR	
21254	END CAP MTN , SUMMIT RED 135X10MM REAR	
21255	END CAP MTN , SUMMIT RED 142X12MM REAR	
20695	REAR AXLE DISC MTN HUB	
20160	BEARING, FRONT HUB 6805LLB	2
20156	BEARING, REAR HUB 6902RS	2



2014 REYNOLDS ALLOY MTN TUBELESS WHEELS



R27.5XC



R27.5AM



R29XC



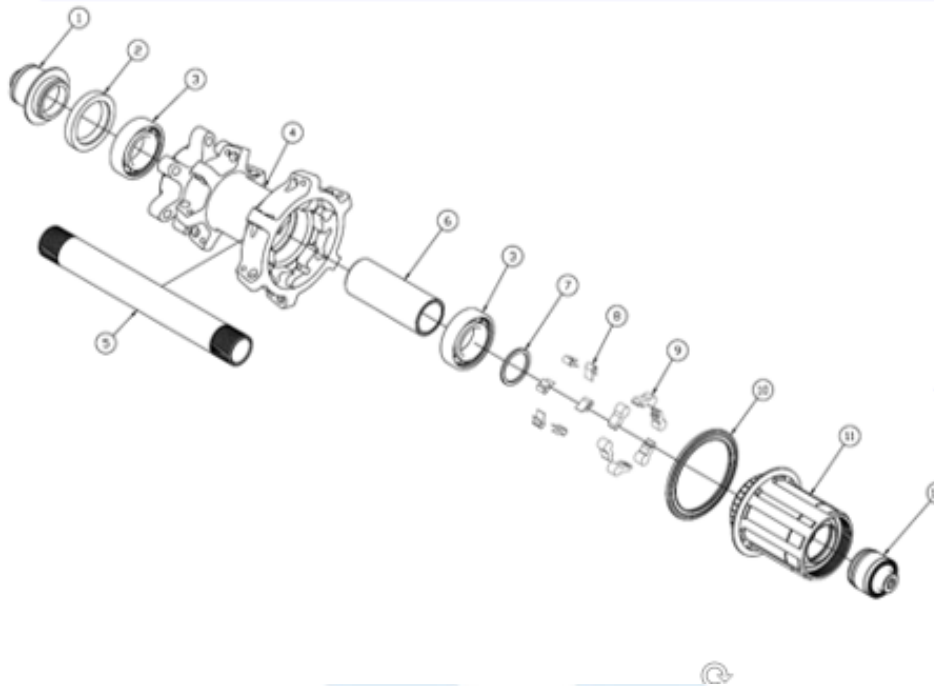
R29 AM

WARNING: The information contained herein is proprietary and confidential to Reynolds Cycling and Reynolds Cycling affiliates. This document is not intended for public distribution or disclosure. This document may be referenced and reproduced for and by Reynolds Cycling and Reynolds Cycling affiliates only.



2014 R SERIES ALLOY MTN DISC REAR HUB

QL-YLBR / QL-YLSR (MTN Rear Shimano / XX1)



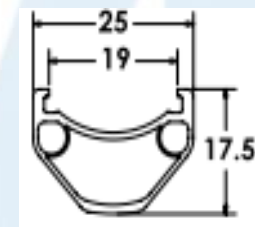
Item	Description	QTY	XX1	Shimano
			Part No.	Part No.
1	End Cap (NDS)	1	See Table	See Table
2	Internal Seal	1	21290*	--
3	Bearing (6902)	2	20156	20156
4	Hub Shell	1	See Table	See Table
5	Axle	1	20702**	20702**
6	Bushing	1	--	--
7	Washer	1	21290*	20699*
8	Spring	6	--	--
9	Pawl	6	--	--
10	Internal Seal	1	21290*	20699*
11	Cassette Body	1	21290*	20699*
12	End Cap (DS)	1	See Table	See Table
			*Included in Free hub kit 21290	
			* Included in Free hub kit 20699	
			**Includes axle, end caps (DS,NDS), 6902 bearing, 15268 bearing in freehub, (7) washer, (8) 6 springs, (9) 6 Pawl, (10) seal	

NOTE: SEE HUB COMPONENTS AND ACCESSORIES SECTION ON EACH PAGE FOR PART NUMBERS AND END CAP OPTIONS



R27.5XC TUBELESS ALLOY MOUNTAIN DISC

PART NO.	ITEM DESCRIPTION	QTY
74756	WS, MTN R27.5 XC ALUM 28/28H	1
74758	W, MTN R27.5 XC ALUM FRONT 28H	1
20225	HUB, MTN BLACK FRONT 28H	1
20996	NIPPLE, EXTERNAL ALLOY BLACK	28
21221	SPOKE, PDB 1415 287MM SP BLK	14
21318	SPOKE, PDB 1415 286MM SP BLK	14
20565	RIM, MTN 27.5 XC 28H ALLOY BLK	1
74759	W, MTN R27.5 XC ALUM REAR 28H	1
21250	HUB, MTN BLK REAR 28H SP 2014	1
20996	NIPPLE, EXTERNAL ALLOY BLACK	28
21318	SPOKE, PDB 1415 286MM SP BLK	14
20404	SPOKE, PDB 1415 285MM SP BLK	14
20565	RIM, MTN 27.5 XC 28H ALLOY BLK	1
ACC KIT, XC ALUM WHEEL SET		
20904	VALVE STEM, AM 45MM LONG	2
20905	RIM TAPE, TUBELESS 22MM 11 M	2
20813	SKEWER, QR FRONT MID LEVEL	1
20815	SKEWER, QR REAR MID LEVEL MTN	1
21190	0.9mm SPACER RING, SINGLE	1

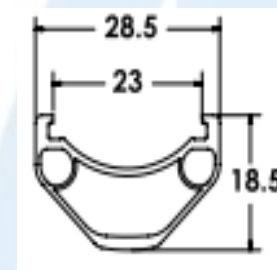


PART NO.	HUB COMPONENTS AND ACCESSORIES	QTY
20699	FREEHUB, REYNOLDS 9/10/11 SHIMANO	
21290	FREEHUB, REYNOLDS SRAM XD 11	
21240	END CAP MTN , BLACK QR FRONT	
20227	END CAP MTN , BLACK 15MM FRONT	
20228	END CAP MTN , BLACK 20MM FRONT	
21257	END CAP MTN , BLACK QR REAR	
21258	END CAP MTN , BLACK 135X10MM REAR	
21259	END CAP MTN , BLACK 142X12MM REAR	
20695	REAR AXLE DISC MTN HUB	
20160	BEARING, FRONT HUB 6805LLB	2
20156	BEARING, REAR HUB 6902RS	2



2014 R27.5AM TUBELESS ALLOY MOUNTAIN DISC

PART NO.	ITEM DESCRIPTION	QTY
74751	WS, MTN R27.5 AM ALUM 28/28H	1
74753	W, MTN R27.5 AM ALUM FRONT 28H	1
20225	HUB, MTN BLACK FRONT 28H	1
20996	NIPPLE, EXTERNAL ALLOY BLACK	28
21318	SPOKE, PDB 1415 286MM SP BLK	14
20404	SPOKE, PDB 1415 285MM SP BLK	14
20566	RIM, MTN 27.5 AM 28H ALLOY BLK	1
74754	W, MTN R27.5 AM ALUM REAR 28H	1
21250	HUB, MTN BLK REAR 28H SP 2014	1
20996	NIPPLE, EXTERNAL ALLOY BLACK	28
21317	SPOKE, PDB 1415 284MM SP BLK	14
20404	SPOKE, PDB 1415 285MM SP BLK	14
20566	RIM, MTN 27.5 AM 28H ALLOY BLK	1
	ACC KIT, AM ALUM WHEEL SET	
20904	VALVE STEM, AM 45MM LONG	2
20907	RIM TAPE, TUBELESS 25MM 11 M	2
20813	SKEWER, QR FRONT MID LEVEL	1
20815	SKEWER, QR REAR MID LEVEL MTN	1
21190	0.9mm SPACER RING, SINGLE	1

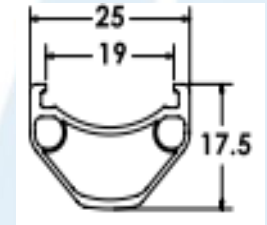


PART NO.	HUB COMPONENTS AND ACCESSORIES	QTY
20699	FREEHUB, REYNOLDS 9/10/11 SHIMANO	
21290	FREEHUB, REYNOLDS SRAM XD 11	
21240	END CAP MTN , BLACK QR FRONT	
20227	END CAP MTN , BLACK 15MM FRONT	
20228	END CAP MTN , BLACK 20MM FRONT	
21257	END CAP MTN , BLACK QR REAR	
21258	END CAP MTN , BLACK 135X10MM REAR	
21259	END CAP MTN , BLACK 142X12MM REAR	
20695	REAR AXLE DISC MTN HUB	
20160	BEARING, FRONT HUB 6805LLB	2
20156	BEARING, REAR HUB 6902RS	2



2014 R29XC TUBELESS ALLOY MOUNTAIN DISC

PART NO.	ITEM DESCRIPTION	QTY
74761	WS, MTN R29 XC ALUM 28/28H	1
74763	W, MTN R29 XC ALUM FRONT 28H	1
20225	HUB, MTN BLACK FRONT 28H	1
20996	NIPPLE, EXTERNAL ALLOY BLACK	28
21320	SPOKE, PDB 1415 304MM SP BLK	14
21345	SPOKE, PDB 1415 305MM SP BLK	14
20563	RIM, MTN 29 XC 28H ALLOY BLK	1
74764	W, MTN R29 XC ALUM REAR 28H	1
21250	HUB, MTN BLK REAR 28H SP 2014	1
20996	NIPPLE, EXTERNAL ALLOY BLACK	28
21320	SPOKE, PDB 1415 304MM SP BLK	2
21319	SPOKE, PDB 1415 302MM SP BLK	14
20563	RIM, MTN 29 XC 28H ALLOY BLK	1
	ACC KIT, XC ALUM WHEEL SET	
20904	VALVE STEM, AM 45MM LONG	2
20905	RIM TAPE, TUBELESS 22MM 11 M	2
20813	SKEWER, QR FRONT MID LEVEL	1
20815	SKEWER, QR REAR MID LEVEL MTN	1
21190	0.9mm SPACER RING, SINGLE	1

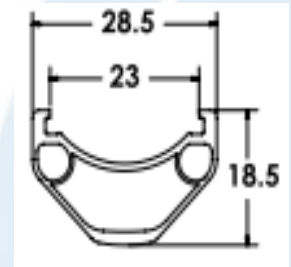


PART NO.	HUB COMPONENTS AND ACCESSORIES	QTY
20699	FREEHUB, REYNOLDS 9/10/11 SHIMANO	
21290	FREEHUB, REYNOLDS SRAM XD 11	
21240	END CAP MTN , BLACK QR FRONT	
20227	END CAP MTN , BLACK 15MM FRONT	
20228	END CAP MTN , BLACK 20MM FRONT	
21257	END CAP MTN , BLACK QR REAR	
21258	END CAP MTN , BLACK 135X10MM REAR	
21259	END CAP MTN , BLACK 142X12MM REAR	
20695	REAR AXLE DISC MTN HUB	
20160	BEARING, FRONT HUB 6805LLB	2
20156	BEARING, REAR HUB 6902RS	2



2014 R29AM TUBELESS ALLOY MOUNTAIN DISC

PART NO.	ITEM DESCRIPTION	QTY
74741	WS, MTN R29 AM ALUM 28/28H	1
74743	W, MTN R29 AM ALUM FRONT 28H	1
20225	HUB, MTN BLACK FRONT 28H	1
20996	NIPPLE, EXTERNAL ALLOY BLACK	28
21320	SPOKE, PDB 1415 304MM SP BLK	14
20273	SPOKE, PDB 1415 303MM SP BLK	14
20564	RIM, MTN 29 AM 28H ALLOY BLK	1
74744	W, MTN R29 AM ALUM REAR 28H	1
21250	HUB, MTN BLK REAR 28H SP 2014	1
20996	NIPPLE, EXTERNAL ALLOY BLACK	28
20272	SPOKE, PDB 1415 301MM SP BLK	14
20273	SPOKE, PDB 1415 303MM SP BLK	14
20564	RIM, MTN 29 AM 28H ALLOY BLK	1
	ACC KIT, AM ALUM WHEEL SET	
20904	VALVE STEM, AM 45MM LONG	2
20907	RIM TAPE, TUBELESS 25MM 11 M	2
20813	SKEWER, QR FRONT MID LEVEL	1
20815	SKEWER, QR REAR MID LEVEL MTN	1
21190	0.9mm SPACER RING, SINGLE	1



PART NO.	HUB COMPONENTS AND ACCESSORIES	QTY
20699	FREEHUB, REYNOLDS 9/10/11 SHIMANO	
21290	FREEHUB, REYNOLDS SRAM XD 11	
21240	END CAP MTN , BLACK QR FRONT	
20227	END CAP MTN , BLACK 15MM FRONT	
20228	END CAP MTN , BLACK 20MM FRONT	
21257	END CAP MTN , BLACK QR REAR	
21258	END CAP MTN , BLACK 135X10MM REAR	
21259	END CAP MTN , BLACK 142X12MM REAR	
20695	REAR AXLE DISC MTN HUB	
20160	BEARING, FRONT HUB 6805LLB	2
20156	BEARING, REAR HUB 6902RS	2



2014 REYNOLDS ROAD WHEEL SPOKE CHARTS

2014 WHEELSET	PART #	STRAIGHT-PULL HUBS	PART #	LACING PATTERN	STRAIGHT-PULL SPOKES	PART #
46AERO C SHIMANO 16/20	74336	HUB, FRONT AERO-SLG 16H S PULL	20453	RADIAL	FRONT, DT AEROLITE SP 276MM BLACK	21177
		HUB, AERO-SLG 20H SHIMANO SP	20144	X2	DRIVE, DT AEROLITE SP 290MM BLACK	21296
46AERO C CAMPY 16/20	74337	HUB, AERO-SLG 20H CAMPY SP	20148	X2	REAR ND, DT AEROLITE SP 291MM BLACK	21298
58AERO C SHIMANO 16/20	73656	HUB, FRONT AERO-SLG 16H S PULL	20453	RADIAL	FRONT, DT AEROLITE SP 269MM BLACK	21213
		HUB, AERO-SLG 20H SHIMANO SP	20144	X2	REAR ND, DT AEROLITE SP 282MM BLACK	21096
58AERO C CAMPY 16/20	73657	HUB, AERO-SLG 20H CAMPY SP	20148	X2	REAR DRIVE, DT AEROLITE SP 280MM BLACK	21170
72AERO C SHIMANO 16/20	73836	HUB, FRONT AERO-SLG 16H S PULL	20453	RADIAL	FRONT, DT AEROLITE SP 254MM BLACK	21094
		HUB, AERO-SLG 20H SHIMANO SP	20144	X2	REAR DRIVE/ND, DT AEROLITE SP 268MM BLACK	21168
72 AERO C CAMPY 16/20	73837	HUB, AERO-SLG 20H CAMPY SP	20148	X2		
90 AERO C SHIMANO 16/20	73866	HUB, FRONT AERO-SLG 16H S PULL	20453	RADIAL	FRONT, DT AEROLITE SP 238MM BLACK	21175
		HUB, AERO-SLG 20H SHIMANO SP	20144	X2	REAR DRIVE, DT AEROLITE SP 252MM BLACK	21093
90 AERO C CAMPY 16/20	73867	HUB, AERO-SLG 20H CAMPY SP	20148	X2	REAR ND, DT AEROLITE SP 254MM BLACK	21094
ATTACK C SHIMANO 20/24	74280	HUB, PERFORMANCE FRONT 20H SP	20450	RADIAL	FRONT, DT AEROCOMP SP 282MM BLACK	21354
		HUB, PERFORMANCE SHIM 24H SP	20452	X2	REAR DRIVE, DT AEROCOMP SP 284MM BLACK	20125
ATTACK C CAMPY 20/24	74281	HUB, PERFORMANCE CAMPY 24H SP	20458	RADIAL	REAR ND, DT AEROCOMP SP 282MM BLACK	21354
ASSAULT C SLG SHIMANO 20/24	74381	HUB, PERFORMANCE FRONT 20H SP	20450	RADIAL	FRONT, DT AEROCOMP SP 270MM BLACK	20256
		HUB, PERFORMANCE SHIM 24H SP	20452	X2	REAR DRIVE, DT AEROCOMP SP 270MM BLACK	20256
ASSAULT C SLG CAMPY 20/24	74382	HUB, PERFORMANCE CAMPY 24H SP	20458	RADIAL	REAR ND, DT AEROCOMP SP 272MM BLACK	20434
ASSAULT T SLG SHIMANO 20/24	74376	HUB, PERFORMANCE FRONT 20H SP	20450	RADIAL	FRONT, DT AEROCOMP SP 270MM BLACK	20256
		HUB, PERFORMANCE SHIM 24H SP	20452	X2	REAR DRIVE, DT AEROCOMP SP 270MM BLACK	20256
ASSAULT T SLG CAMPY 20/24	74377	HUB, PERFORMANCE CAMPY 24H SP	20458	RADIAL	REAR ND, DT AEROCOMP SP 272MM BLACK	20434
ASSAULT C SLG DISC SHIMANO 24/24	74366	HUB, PERF DISC BRK FRT 24H SP	21304	X2/X2	FRONT ND/REAR ND, DT AEROCOMP SP 278MM BLACK	21351
		HUB, MTN BLK REAR 24H SP 2014	21249	X2/X2	FRONT DRIVE, DT AEROCOMP SP 280MM BLACK	21352
ASSAULT T SLG DISC SHIMANO 24/24	74371				REAR DRIVE, DT AEROCOMP SP 276MM BLACK	21353
STRIKE C SLG SHIMANO 16/20	74481	HUB, PERFORMANCE FRONT 16H SP	20449	RADIAL	FRONT/ REAR ND, DT AEROCOMP SP 252MM BLACK	20257
		HUB, PERFORMANCE SHIM 20H SP	20451	X1	REAR DRIVE, DT AEROCOMP SP 244MM BLACK	21176
STRIKE C SLG CAMPY 16/20	74482	HUB, PERFORMANCE CAMPY 20H SP	20457	RADIAL		
ASSAULT/STRIKE C SHIMANO 20/20	74971	HUB, PERFORMANCE FRONT 20H SP	20450	RADIAL	FRONT, DT AEROCOMP SP 270MM BLACK	20256
		HUB, PERFORMANCE SHIM 20H SP	20451	X1	REAR ND, DT AEROCOMP SP 252MM BLACK	20257
				RADIAL	REAR DRIVE, DT AEROCOMP SP 244MM BLACK	21176
STRATUS PRO SHIMANO 20/24	74721	HUB, FRONT AERO-SLG 20H S PULL	20454	RADIAL	FRONT, DT AEROCOMP SP 282MM BLACK	21354
		HUB, ALLOY ROAD SP SHIM 24H	21325	X2/X2	DRIVE, DT AEROCOMP SP 288MM BLACK	21297
STRATUS PRO CAMPY 20/24	74722	HUB, ALLOY ROAD SP CAMPY 24H	20329		REAR ND, DT AEROCOMP SP 292MM BLACK	21299
STRATUS PRO DISC SHIMANO 24/24	74726	HUB, PERF DISC BRK FRT 24H SP	21324	X2/X2	FRONT ND/ REAR DRIVE, DT COMP SP 286MM BLACK	20203
		HUB, MTN BLK REAR 24H SP 2014	21325	X2/X2	FRONT DRIVE, DT COMP SP 288MM BLACK	20240
STRATUS PRO DISC CAMPY 24/24	74727				REAR ND, DT COMP SP 289MM BLACK	20391
STRATUS ELITE SHIMANO RB 20/24	74731	HUB, S/P ELITE RB BLACK FRONT 20H	21329	RADIAL	FRONT, 2.0 STRAIGHT GAUGE SP 279MM BLACK	20426
		HUB, S/P ELITE RB BLK REAR 24H	21330	X2/X2	REAR DRIVE, 2.0 STRAIGHT GAUGE SP 290MM BLACK	20427
					REAR ND, 2.0 STRAIGHT GAUGE SP 294MM BLACK	20430
STRATUS ELITE SHIMANO DB 24/24	74736	HUB, S/P ELITE DISC BLACK FRONT 24H	21338	X2/X2	FRONT ND/REAR D, 2.0 STRAIGHT GAUGE SP 291MM	20428
		HUB, S/P ELITE DISC BLK REAR 24H	21339	X2/X2	FRONT D/REAR ND, 2.0 STRAIGHT GAUGE SP 293MM	20429



2014 REYNOLDS MTN WHEEL SPOKE CHARTS

2014 WHEELSET	PART #	STRAIGHT-PULL HUBS	PART #	LACING PATTERN	STRAIGHT-PULL SPOKES	PART #
SUMMIT MTN 29ER XC Red 28/28	74571	HUB, S/P MTN RED FRONT 28H	20985	X2	FRONT ND/ REAR ND, DT COMP SP 299MM BLACK	20393
		HUB, S/P MTN RED REAR 28H SP 2014	21248	X2	FRONT DRIVE, DT COMP SP 301MM BLACK	20531
SUMMIT MTN 2ER TRAIL Red 28/28	73547	HUB, S/P MTN RED FRONT 28H	20985	X2	REAR DRIVE, DT COMP SP 298MM BLACK	20530
		HUB, S/P MTN RED REAR 28H SP 2014	21248	X2	FRONT ND/ REAR ND, DT COMP SP 296MM BLACK	20049
SUMMIT MTN 27.5 XC Red 28/28	74566	HUB, S/P MTN RED FRONT 28H	20985	X2	FRONT DRIVE, DT COMP SP 297MM BLACK	20207
		HUB, S/P MTN RED REAR 28H SP 2014	21248	X2	REAR DRIVE, DT COMP SP 295MM BLACK	20400
SUMMIT MTN 27.5 AM Red 28/28	74561	HUB, S/P MTN RED FRONT 28H	20985	X2	FRONT DRIVE, DT COMP SP 279MM BLACK	20246
		HUB, S/P MTN RED REAR 28H SP 2014	21248	X2	FRONT ND/REAR ND, DT COMP SP 277MM BLACK	20490
MTN R29 AM AL 28/28	74741	HUB, S/P MTN BLACK FRONT 28H	20225	X2	REAR DRIVE, DT COMP SP 275MM BLACK	20399
		HUB, S/P MTN BLK REAR 28H SP 2014	21250	X2	FRONT DRIVE, DT COMP SP 282MM BLACK	20202
MTN R29 XC AL 28/28	74761	HUB, S/P MTN BLACK FRONT 28H	20225	X2	FRONT ND/REAR ND, DT COMP SP 281MM BLACK	20247
		HUB, S/P MTN BLK REAR 28H SP 2014	21250	X2	REAR DRIVE, DT COMP SP 280MM BLACK	20047
MTN R27.5 AM AL 28/28	74751	HUB, S/P MTN BLACK FRONT 28H	20225	X2	FRONT ND/REAR ND, PDB 1415 303MM SP BLK	20273
		HUB, S/P MTN BLK REAR 28H SP 2014	21250	X2	FRONT DRIVE, PDB 1415 304MM SP BLK	21320
MTN R27.5 XC AL 28/28	74756	HUB, S/P MTN BLACK FRONT 28H	20225	X2	REAR DRIVE, PDB 1415 301MM SP BLK	20272
		HUB, S/P MTN BLK REAR 28H SP 2014	21250	X2	FRONT ND/ REAR ND, PDB 1415 304MM SP BLK	21320
				X2	FRONT DRIVE, PDB 1415 305MM SP BLK	21345
				X2	REAR DRIVE, PDB 1415 302MM SP BLK	21319
				X2	FRONT ND/ REAR ND, PDB 1415 285MM SP BLK	20404
				X2	FRONT DRIVE, PDB 1415 286MM SP BLK	21318
				X2	REAR DRIVE, PDB 1415 284MM SP BLK	21317
				X2	FRONT DRIVE, PDB 1415 287MM SP BLK	21221
				X2	FRONT ND/REAR ND, PDB 1415 286MM SP BLK	21318
				X2	REAR DRIVE, PDB 1415 285MM SP BLK	20404

WARNING: The information contained herein is proprietary and confidential to Reynolds Cycling and Reynolds Cycling affiliates. This document is not intended for public distribution or disclosure. This document may be referenced and reproduced for and by Reynolds Cycling and Reynolds Cycling affiliates only.



2014 RIM ERD FOR REYNOLDS WHEELS

PLEASE NOTE:

- For custom spoke length calculations using Reynolds Aero rims with internal spoke nipples, add 16mm to rim ERD listed in chart below before calculation

ERD for RIMS				
Front Rim Part Number	Rear Rim Part Number	Rim Model	700C	650B
63338	63339	46 Aero Clincher 16/20	552	
63658	63659	58 Aero Clincher 16/20	533	
63838	63839	72 Aero Clincher 16/20	503	
63868	63869	90 Aero Clincher 16/20	479	
65282	65283	Wide Attack Clincher RB 20/24	585	
65383	65384	Wide Assault Clincher RB 20/24	562	
64378	64379	Wide Assault Tubular RB 20/24	562	
65369	65369	Wide Assault Clincher DB 24/24	562	
65483	65484	Wide Strike Clincher 16/20	520	
53513	53513	MTN 27.5 XC Summit 28/28		545
54563	54563	MTN 27.5 AM Summit 28/28		556
54573	57573	MTN 29er XC Summit 28/28	590	
51544	51544	MTN 29er Trail Summit 28/28	583	
20560	20561	Stratus Pro Alloy Clincher RB 20/24	580	
20562	20562	Stratus Pro Alloy Clincher DB 24/24	580	
20565	20565	R 27.5 XC Alloy MTN 28/28		563
20566	20566	R27.5AM Alloy MTN 28/28		566
20563	20563	R29 XC Alloy MTN 28/28	599	
20564	20564	R29 AM Alloy MTN 28/28	604	

WARNING: The information contained herein is proprietary and confidential to Reynolds Cycling and Reynolds Cycling affiliates. This document is not intended for public distribution or disclosure. This document may be referenced and reproduced for and by Reynolds Cycling and Reynolds Cycling affiliates only.