

46-26362C



manitou

SUSPENSION FORK USER MANUAL

ENGLISH	3
DEUTSCH	11
ESPAÑOL	20
FRANÇAIS	29
ITALIANO	38
NEDERLANDS ...	47
PORTUGUÊS	56
中文	65
日本語	74

MANITOU SUSPENSION FORKS

Congratulations! If you're reading this, you're the proud owner of one of the finest bicycle suspension products on planet earth! We are certain that it will improve your riding experience. Your new Manitou fork is packed with technology, and we want to ensure that you get the most out of every millimeter of travel. So, read on. The pages within are packed with important and useful information.

Thank you for making Manitou your choice in suspension.

This manual contains important safety, warranty and maintenance information for your Manitou suspension product. Instructions on properly and safely installing your suspension are also included in this manual.

This manual along with additional set-up and service guides for your suspension can be downloaded from the www.manitoumtb.com website.

IMPORTANT SAFETY INFORMATION

1. Manitou forks are designed for a single rider on mountain bike trails and similar off-road conditions. They are not designed for tandem use or motorized applications.
2. It is very important that your Manitou fork be installed onto the bicycle correctly. It is highly recommended that you have a qualified bicycle mechanic install the fork onto your bicycle. An improperly installed fork is extremely dangerous and could result in severe injuries or death.
3. Ensure the brakes are installed and properly adjusted before riding your bicycle. Improper brake installation or adjustment could result in severe injuries or death.
4. Stop riding the fork immediately if you notice leaking oil, bent/broken parts, excessive top out or bottom out, unusual noises or visual damage to fork and contact Hayes Components or an authorized Hayes Components service center for inspection.
5. Do not modify your fork in any way. Any modification to your Manitou fork will void the warranty and could cause severe injuries or death.
6. Use only authorized Manitou replacement parts. Use of any unauthorized aftermarket parts will void the warranty and could cause failure of the shock.

IMPORTANT SAFETY INFORMATION

7. If using a carrier that holds the bicycle by the fork dropouts, use caution not to tilt bicycle to either side when mounting or un-mounting. Structural damage to the fork dropouts and legs can occur. Always fasten fork securely with the quick-release and ensure that the rear wheel is secured to carrier. If bicycle is tilted or falls from carrier do not ride until the fork is inspected by Manitou or an authorized service center. A failure in the fork leg or dropout could result in loss of control of the bicycle and result in severe injuries or death.

8. Manitou forks do not come with reflectors to meet the CPSC requirements for on-road use. Your dealer should install reflectors and/or lighting to meet any federal, state or local laws if the fork is going to be used for on-road use.

9. Always check your wheels before riding, verify quick release skewers and/or thru axles are properly adjusted and tightened.

BREAK-IN

Your new fork is designed to break in during your first few rides (about 20 hours total riding time). Prior to break-in, you may notice your fork feels tight and slightly notchy. Following the break-in period, your fork will feel much smoother and will react to bumps much better than when you first put it on your bike. After 20 hours, you may want to recheck adjustments (where applicable) to fine-tune the fork completely.

FORK INSTALLATION – SINGLE CROWN FORKS

We highly recommend that your fork be installed by a qualified bicycle mechanic.

 **WARNING** IMPROPERLY INSTALLED FORKS CAN BE VERY DANGEROUS AND COULD RESULT IN SERIOUS INJURIES OR DEATH.

1. Remove the old fork from your bicycle.
2. Measure and cut the steerer tube to fit your bicycle head tube. Prior to any cutting consult your stem and headset manufacturer's instructions to ensure you have enough steer tube length for clamping the steer. Be sure not to damage the steer tube in any way below the cut area.

NOTE: Measure carefully, steer tubes cut too short are not covered under warranty.

3. Press crown race onto the fork steerer until the race is seated snugly against the top of the crown using a crown race installation tool per the headset manufacturer's instructions.
4. Clean and grease the headset bearings and races per the headset manufacturer's instructions.
5. Install the lower bearings (if applicable) on fork crown race per the headset manufacturer's instructions.
6. Insert the steerer tube into the head tube of the frame.
7. Install the upper bearings, stem spacers, and stem.
8. Install the stem cap and bolt. Tighten the bolt to headset manufacturer's specifications.
9. Install the handlebars and torque the stem pinch screws or stem clamping system to stem manufacturer's specifications.
10. Install the brakes and adjust per the brake manufacturer's instructions.
11. For forks equipped with a MILO remote lockout lever, install the lever in an easily accessible position and torque to values indicated in this manual on Table 2.
12. a. For forks with standard dropouts (non through axle), the quick release must be tightened to quick release manufacturer's specifications after it is properly seated into the dropout counter bores. Refer to your bicycle owner's manual on the proper use and adjustment of the quick release lever. NOTE: Forks with standard dropouts are equipped with a secondary catch dropout to retain the wheel in the fork in the event the quick release comes loose.
b. To install the 20mm Hex Axle, simply slip the axle into the dropout, small axle hex side first into the large dropout hex. Thread in the set bolt into the small hex side and snug slightly. Push the fork up and down a few times to center the axle and hub. Tighten drive side pinch bolts first, then the end bolt and finally disc side pinch bolts. Tighten all bolts to recommended torque values found in this manual.
c. To install the QR15 axle please refer to the QR15 Installation section in this manual.
13. Install the brake cable per manufacturer's instructions.

**WARNING**

FAILURE TO PROPERLY ROUTE AND SECURELY ATTACH THE FRONT BRAKE CABLE TO THE FORK CAN CAUSE SERIOUS INJURY OR DEATH.

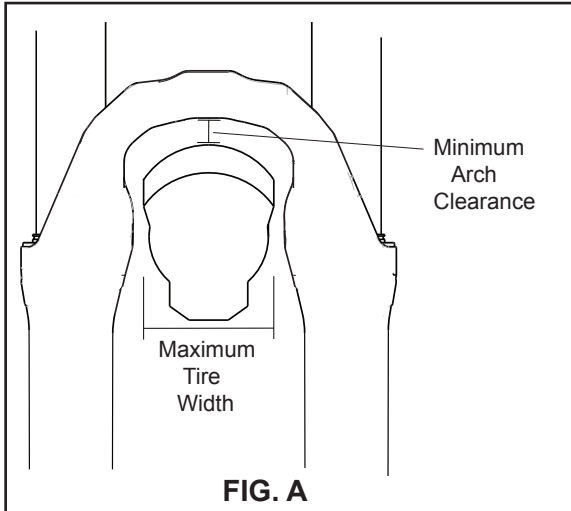
TIRE CLEARANCE

Before riding your bike for the first time and after any tire change you must check for proper tire clearance. You must measure the tire width and the arch clearance of the tire. Below is a diagram to assist you in checking for proper tire clearance.



WARNING

FAILURE TO FOLLOW THE TIRE CLEARANCE GUIDELINES COULD RESULT IN THE TIRE STRIKING THE CROWN WHICH COULD CAUSE SERIOUS INJURY OR DEATH.



Please refer to the chart below for dimensions specific to your fork model.

TABLE 1 - TIRE CLEARANCE

	MINIMUM ARCH CLEARANCE	MAXIMUM TIRE WIDTH
FORK MODEL	(SEE FIGURE A)	
R7 PRO, R7 MRD, M30	10mm	60mm
CIRCUS SPORT, EXPERT, COMP MINUTE/MARVEL 26" FORKS MATCH 26" FORKS	9.5mm	63mm
MINUTE 29" FORKS MARVEL 29" FORKS MATCH 29" FORKS	12.0mm	63mm
MINUTE 27.5" FORKS MARVEL 27.5" FORKS	12.0mm	65mm
MATTOC 26"	15.5mm	63mm
MATTOC 27.5"	6mm	63mm

TABLE 1 - TIRE CLEARANCE - CONTINUED

	MINIMUM ARCH CLEARANCE	MAXIMUM TIRE WIDTH
FORK MODEL	(SEE FIGURE A)	
MAGNUM	15mm	87mm
MACHETE 27.5"+ (27.5+ tire)	17mm	87mm
MACHETE 27.5"+ (29" tire)	10mm	58mm
MACHETE 29"+	6mm	87mm

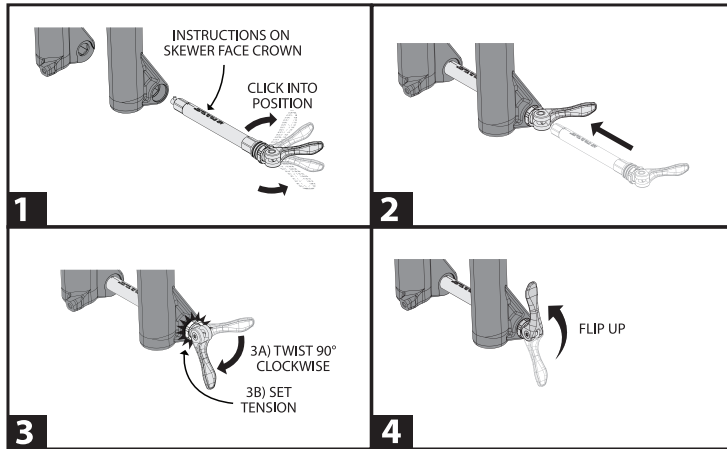
QR15 INSTALLATION INSTRUCTIONS

1. Flip the lever to the open position. You'll see an open arrow on the side of the lever. Align cross pin with the arrow on the axle. You will feel it click into place when it is in the proper position.
2. Place wheel into fork. Insert axle into the drive side dropout of the fork. When inserting the axle, you want to make sure that the writing or arrow on the axle is facing up and that the cross pin is vertical. The lever of the axle will be pointing out towards the front of the fork. Insert axle thru the casting and hub until it stops (the O-ring by the tension dial should be inside the casting counter bore).
3. Rotate lever 90 degrees clockwise until you feel it click into place.
4. Flip lever up to the closed position locking the axle. If it feels like it requires too much force to close the lever, adjust the tension with the adjuster dial. Adjust by turning the adjuster dial clockwise to decrease tension. Counter-clockwise rotation will increase tension if the axle feels too loose when closing the lever.

**WARNING**

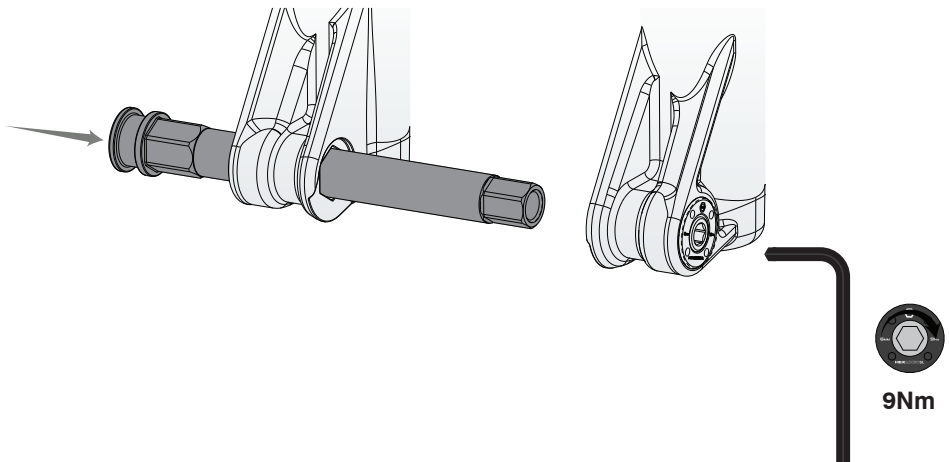
IMPROPERLY TENSIONED AXLE, LEVER NOT COMPLETELY ENGAGED OR THE LEVER BEING IN ANY OTHER POSITION THAN THE UPWARDS CLOSED POSITION COULD RESULT IN DISENGAGEMENT OF THE AXLE POSSIBLY CAUSING SERIOUS INJURIES OR DEATH.

QR15 INSTALLATION INSTRUCTIONS



HEXLOCK SL INSTRUCTIONS

1. Install the HexLock SL axle at a torque of 9 N-m / 80 lb-in.



MAINTENANCE

Your fork requires periodic maintenance, cleaning, and inspection. Torque values of bolts and fasteners must be checked periodically, more often if riding in extreme conditions. To maintain top performance, it is recommended that the fork be periodically disassembled, cleaned, dried and re-lubricated. After every ride wipe down the inner legs and the seal area to extend the life of the seal. **We highly recommend that service to your fork be completed by a qualified bicycle mechanic. You can download service and tuning instructions on the web at www.manitoumtb.com.**

SUGGESTED SERVICE INTERVALS FOR ALL MANITOU SUSPENSION FORKS

NORMAL CONDITIONS

Short, Sporadic Rides

Disassemble fork per Service Manual. Clean out casting and replace Semi Bath oil every 6 months. Service damping systems by changing the damper oil every year. Grease spring stack as needed. On air fork models, check the oil level sitting on top of the air piston every 2 months per directions found on www.manitoumtb.com.

Long, Frequent Rides

Disassemble fork per Service Manual. Clean out casting and replace Semi Bath oil every 4 months. Service damping systems by changing the damper oil every year. Grease spring stack as needed. On air fork models, check the oil level sitting on top of the air piston every 6 weeks per directions found on www.manitoumtb.com.

SEVERE CONDITIONS

Short, Sporadic Rides

Disassemble fork per Service Manual. Clean out casting and replace Semi Bath oil every 4 months. Service damping systems by changing the damper oil every year. Grease spring stack as needed. On air fork models, check the oil level sitting on top of the air piston every 6 weeks per directions found on www.manitoumtb.com.

Long, Frequent Rides

Disassemble fork per Service Manual. Clean out casting and replace Semi Bath oil every 3 months. Service damping systems by changing the damper oil every year. Grease spring stack as needed. On air fork models, check the oil level sitting on top of the air piston every 4 weeks per directions found on www.manitoumtb.com.

TABLE 2- RECOMMENDED TORQUE SPECIFICATIONS

ITEM	TORQUE SPECIFICATIONS - Nm (in-lbs)
HEX AXLE BOLTS	3,4 - 4,5 Nm (30 - 40 in-lb)
REMOTE HANDLEBAR CLAMP	0,45 - 0,68 Nm (4 - 6 in-lb)
REMOTE LEVER CABLE CLAMP SCREW	0,34 - 0,56 Nm (3 - 5 in-lb)

Limited Warranty:

HAYES warrants its products to be free from defects in materials or workmanship under normal intended use for a period of one year (two years in European Union countries) from the date of purchase, subject to normal wear and tear. Unless otherwise prohibited by law, any such defective products will be repaired or replaced at the option of HAYES when received with proof of purchase, freight prepaid. This warranty does not cover breakage, bending, or damage that may result from crashes or falls. This warranty does not cover any defects or damage caused by alterations or modifications of HAYES products or by normal wear, accidents, improper maintenance, damages caused by the use of HAYES products with parts of different manufacturers, improper use or abuse of the product, application or uses other than those set forth in the HAYES instruction manual or failure to follow the instructions contained in the applicable HAYES instruction manual. Instruction manuals can be found online at www.hayescomponents.com. Any modifications made by the BUYER or any subsequent user will render the warranty null and void. This warranty does not apply when the serial number or production code has been deliberately altered, defaced or removed from the product. The cost of normal maintenance or replacement of service items, which are not defective, shall be the BUYER's responsibility. If permitted by local law, this warranty is expressly in lieu of all other warranties (except as to title), express or implied, and in particular and without limitation HAYES disclaims the implied warranties of merchantability or fitness for purpose. If for any reason warranty work is necessary, return the component to the place of purchase or contact your dealer or local HAYES distributor. In the USA, contact HAYES for a return authorization number (RA#) at (888) 686-3472. At that time, instructions for repair, return, or replacement shall be given. Customers in countries other than the USA should contact their dealer or local HAYES distributor.

Limitation of Liability.

Unless required by mandatory law, HAYES shall not be liable for any incidental, indirect, special or consequential damages.

This warranty does not apply to normal wear and tear. Wear and tear parts are subject to damage through normal use, failure to service according to recommendations or riding in conditions other than recommended. The cost of normal maintenance or replacement of service items, which are not defective, shall be paid for by the original purchaser. Wear and tear parts that will not be replaced under warranty include but are not limited to the following:

- Bushings
- Rear Shock
- Mount Hardware
- Handlebar grips
- Tubeless Valves
- Dust Seals
- Fork and Shock air seals and/or O-rings
- Bearings
- Upper Stanchion Tubes
- Stripped or worn bolts
- Remote Lockout Cable
- Gloves
- Lower Stanchion Tubes(Dorado)

MM

manitou

FEDERGABEL-BENUTZERHANDBUCH

MANITOU FEDERGABELN

Herzlichen Glückwunsch! Falls Sie dies lesen, sind Sie der stolze Besitzer einer der besten Fahrradfedergabeln der Welt! Wir sind sicher, dass diese Federgabel Ihr Fahrerlebnis verbessern wird. In Ihrer neuen Manitou-Gabel steckt jede Menge Technik und wir möchten sicherstellen, dass Sie jeden Millimeter Ihrer Tour optimal genießen. Bitte lesen Sie also weiter. Die nachfolgenden Seiten enthalten viele wichtige und nützliche Informationen.

Vielen Dank, dass Sie sich bei der Federung für Manitou entschieden haben.

Dieses Handbuch enthält wichtige Informationen zur Sicherheit, Garantie und Wartung Ihres Manitou-Federungsprodukts. Darüber hinaus sind in diese Handbuch die Angaben zum korrekten und sicheren Einbau Ihrer Federung eingeschlossen.

Dieses Handbuch kann zusammen mit den zusätzlichen Einstellungs- und Serviceleitfäden Ihrer Federung auf unserer Webseite www.manitoumtb.com heruntergeladen werden.

WICHTIGE SICHERHEITSINFORMATIONEN

1. Manitou-Gabeln sind für einen einzelnen Fahrer auf Mountainbikestrecken und ähnlichen Offroad-Bedingungen ausgelegt. Sie wurden nicht für den Tandemeinsatz oder motorisierte Anwendungen entworfen.
2. Es ist sehr wichtig, dass die Manitou-Gabel korrekt in das Fahrrad eingebaut wird. Deshalb wird dringend empfohlen, die Gabel von einem qualifizierten Fahrradmechaniker in Ihr Fahrrad einbauen zu lassen. Eine unsachgemäß eingebaute Gabel ist extrem gefährlich und kann zu schwerwiegenden oder tödlichen Verletzungen führen.
3. Stellen Sie vor der Fahrt sicher, dass die Bremsen korrekt installiert und eingestellt sind. Unsachgemäß eingebaute oder eingestellte Bremsen können zu schwerwiegenden oder tödlichen Verletzungen führen.
4. Stoppen Sie sofort die Fahrt, wenn Sie austretendes Öl, gebogene/gebrochene Teile, einen übermäßigen Durchschlag nach oben oder unten, ungewöhnliche Geräusche oder sichtbare Schäden an der Gabel feststellen, und wenden Sie sich an Hayes Components oder ein zugelassenes Servicecenter für Hayes-Komponenten, damit die Gabel geprüft wird.
5. Verändern Sie Ihre Gabel auf keine Weise. Alle Änderungen Ihrer Manitou-Gabel führen zum Erlöschen der Garantie und können schwerwiegende oder tödliche Verletzungen verursachen.
6. Bitte verwenden Sie ausschließlich Original-Manitou-Ersatzteile. Die Verwendung nicht zugelassener Aftermarktteile führt zum Erlöschen der Garantie und kann schwerwiegende oder tödliche Verletzungen verursachen.

WICHTIGE SICHERHEITSINFORMATIONEN

7. Falls Sie einen Fahrradträger verwenden, bei dem das Fahrrad an den Gabelausfallenden gesichert ist, achten Sie bitte darauf, das Fahrrad bei der Montage oder Demontage nicht seitlich zu kippen. Dadurch können die Struktur des Ausfallendes der Gabel und der Holme beschädigt werden. Sichern Sie die Gabel immer mit dem Schnellspanner und stellen Sie sicher, dass das Hinterrad sicher am Träger befestigt ist. Falls das Fahrrad gekippt wird oder vom Träger fällt, fahren Sie bitte erst dann wieder damit, nachdem die Gabel von Manitou oder einem zugelassenen Servicecenter geprüft wurde. Ein Schaden am Gabelholm oder dem Ausfallende kann dazu führen, dass Sie die Kontrolle über das Fahrrad verlieren und sich schwerwiegende oder tödliche Verletzungen zuziehen.

8. Manitou-Gabeln sind nicht mit Reflektoren gemäß den CPSC-Anforderungen zur Verwendung auf der Straße ausgestattet. Ihr Händler sollte Reflektoren und/oder eine Beleuchtung anbringen, um alle nationalen, regionalen oder örtlichen gesetzlichen Bestimmungen einzuhalten, falls die Gabel im Straßenverkehr verwendet werden soll.

9. Prüfen Sie Ihre Reifen immer vor der Fahrt. Prüfen Sie darüber hinaus, dass die Schnellspanbolzen und/oder Steckachsen korrekt eingestellt und angezogen sind.

EINFAHREN

Ihre neue Gabel wurde dazu ausgelegt, während der ersten Fahrten eingefahren zu werden (ca. 20 Fahrstunden insgesamt). Vor dem Einfahren kann Ihre Gabel sich eventuell stramm und leicht hakelig anfühlen. Nach dem Einfahrzeitraum wird sich Ihre Gabel viel sanfter anfühlen und auf Fahrunebenheiten wesentlich besser reagieren als bei Ihrer ersten Fahrt. Nach 20 Stunden sollten Sie gegebenenfalls die Einstellungen überprüfen, um die Feineinstellung der Gabel vollständig abzuschließen.

GABELMONTAGE - GABELN MIT EINEM GABELKOPF

Wir empfehlen dringend, die Gabel von einem qualifizierten Fahrradmechaniker in Ihr Fahrrad einbauen zu lassen.

⚠️ WARNUNG UNSACHGEMÄSS EINGEBAUTE GABELN KÖNNEN EXTREM GEFÄHRLICH SEIN UND ZU SCHWERWIEGENDEN ODER TÖDLICHEN VERLETZUNGEN FÜHREN.

1. Bauen Sie die alte Gabel von Ihrem Fahrrad ab.
2. Messen und schneiden Sie den Gabelschaft passend für das Steuerrohr Ihres Fahrrads zurecht. Bitte beachten Sie vor dem Schneiden die Angaben Ihres Vorbau- und Steuersatzherstellers, um sicherzustellen, dass die Länge des Steuerrohrs zur Befestigung der Lenkung ausreicht. Stellen Sie sicher, das Steuerrohr nicht unter dem Schnittbereich zu beschädigen.

HINWEIS: Bitte messen Sie sorgfältig, zu kurz geschnittene Steuerrohre werden von der Garantie nicht abgedeckt.

3. Drücken Sie den Gabelkonus auf den Gabelschaft, bis der Konus eng gegen das obere Ende der Krone anliegt. Verwenden Sie dazu ein Gabelkonus-Installationswerkzeug gemäß den Angaben des Steuersatzherstellers.
4. Reinigen und schmieren Sie die Steuersatzlager und Laufbahnen gemäß den Angaben des Steuersatzherstellers.
5. Montieren Sie das untere Lager (falls anwendbar) gemäß den Angaben des Steuersatzherstellers auf dem Gabelkonus.
6. Führen Sie das Gabelschaftrohr in das Steuerrohr des Rahmens ein.
7. Montieren Sie die oberen Lager, Vorbau-Abstandsstücke und den Vorbau.
8. Montieren Sie die Vorbaukappe und Schraube. Ziehen Sie die Schraube gemäß den Angaben des Steuersatzherstellers an.
9. Montieren Sie den Lenker und ziehen Sie die Klemmschrauben oder das Spannsystem des Vorbaus gemäß den Angaben des Vorbauherstellers an.
10. Montieren Sie die Bremsen und stellen Sie diese gemäß den Angaben des Bremsenherstellers ein.
11. Bei Gabeln, die mit einer MILO-Lenkerfernbedienung ausgestattet sind, montieren Sie den Hebel in einer leicht zugänglichen Position und ziehen Sie diesen dann mit den in der Tabelle 2 dieses Handbuchs angegebenen Werten an.
12. a. Bei Gabeln mit einem Standard-Ausfallende (keine Steckachse) muss der Schnellspanner gemäß den Herstellerangaben angezogen werden, nachdem dieses korrekt in der Auslasssenkung des Ausfallendes sitzt. Die korrekte Verwendung und Einstellung der Lenkerfernbedienung entnehmen Sie bitte dem Handbuch Ihres Fahrrads. HINWEIS: Gabeln mit Standard-Ausfallenden sind mit einem zweiten Sicherungsausfallende ausgestattet, um das Rad in der Gabel zu sichern, falls die Lenkerfernbedienung sich löst.
b. Zur Montage der 20-mm-Sechskantachse schieben Sie diese einfach in das Ausfallende, wobei die kleine Sechskantseite zuerst in den größeren Sechskant des Ausfallendes geschoben wird. Schrauben Sie die Einstellschraube in die kleine Sechskantseite ein und ziehen Sie diese leicht an. Schieben Sie die Gabel einige Male nach oben und unten, um die Achse und Nabe zu zentrieren. Ziehen Sie die Spannschrauben der Antriebsseite zuerst an, danach die Endschraube und schließlich die Spannschrauben der Scheibenseite. Ziehen Sie alle Schrauben mit dem in diesem Handbuch empfohlenen Drehmoment an.
c. Die Montage der QR15 Achse können Sie dem Kapitel „Montage QR 15“ dieses Handbuchs entnehmen.
13. Montieren Sie das Bremsseil gemäß den Herstelleranleitungen.

**WARNUNG**

**DIE UNSACHGEMÄSSE VERLEGUNG UND SICHERUNG
DES VORDERBREMSSEISELS AN DER GABEL KANN ZU
SCHWERWIEGENDEN ODER TÖDLICHEN VERLETZUNGEN FÜHREN.**

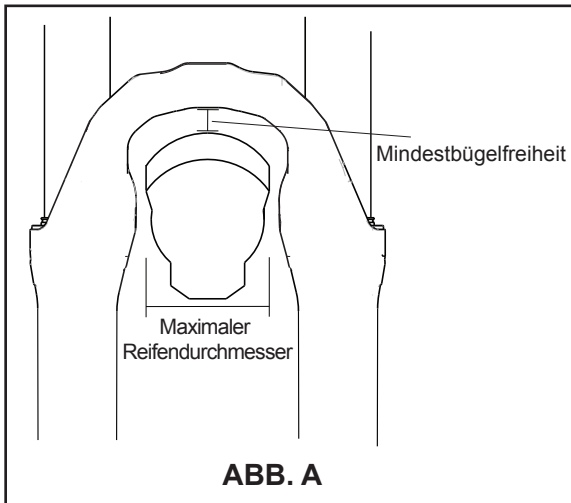
REIFENFREIHEIT

Bevor Sie sich das erst Mal auf Ihr Fahrrad setzen sowie nach jedem Reifenwechsel sollten Sie die korrekte Reifenfreiheit prüfen. Dazu müssen Sie die Reifenbreite und Bügelfreiheit des Reifens messen. Nachstehend wird ein Diagramm aufgeführt, um Sie bei der Prüfen der korrekten Reifenfreiheit zu unterstützen.



WARNUNG

DIENICHTBEACHTUNGDERANGABENBEZÜGLICHDERREIFENFREIHEIT KANN DAZU FÜHREN, DASS DER REIFEN DIE KRONE BERÜHRT, WAS ZU SCHWERWIEGENDENODERTÖDLICHENVERLETZUNGFÜHRENKANN.



Die Abmessungen Ihres spezifischen Gabelmodells können Sie der Tabelle unten entnehmen.

TABELLE 1 - REIFENFREIHEIT

	MINDESTBÜGEL FREIHEIT	MAXIMALE REIFENBREITE
GABELMODELL	(SIEHE ABBILDUNG A)	
R7 PRO, R7 MRD, M30	10 mm	60 mm
CIRCUS SPORT, COMP, EXPERT MINUTE/MARVEL 26 ZOLL GABELN MATCH 26 ZOLL GABELN	9,5 mm	63 mm
MINUTE 29 ZOLL GABELN MARVEL 29 ZOLL GABELN MATCH 29 ZOLL GABELN	12,0 mm	63 mm
MINUTE 27,5 ZOLL GABELN MARVEL 27,5 ZOLL GABELN	12,0 mm	65 mm
MATTOC 26	15,5 mm	63 mm
MAGNUM 27,5	6 mm	63 mm

TABELLE 1 - REIFENFREIHEIT

	MINDESTBÜGEL FREIHEIT	MAXIMALE REIFENBREITE
GABELMODELL	(SIEHE ABBILDUNG A	
MAGNUM	15mm	87mm
MACHETE 27,5+ (27.5+ reifen)	17mm	87mm
MACHETE 27,5+ (29" reifen)	10mm	58mm
MACHETE 29+	6mm	87mm

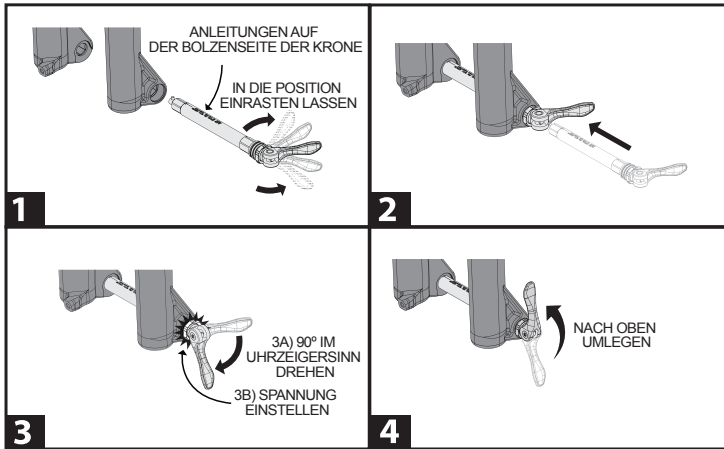
MONTAGEANLEITUNGEN QR15

1. Legen Sie den Hebel in die offene Position um. Sie können einen offenen Pfeil neben der Seite des Hebels sehen. Richten Sie den Querstift gegenüber dem Pfeil auf der Achse aus. Sie werden merken, wie dieser in seine Position klickt, sobald die korrekte Position erreicht ist.
2. Legen Sie das Rad in die Gabel. Führen Sie die Achse in das Ausfallende der Antriebsseite der Gabel ein. Bitte stellen Sie bei der Einführung der Gabel sicher, dass die Schrift bzw. der Pfeil auf der Achse nach oben zeigt und der Querstift vertikal ist. Der Hebel der Achse zeigt nach außen in Richtung der Stirnseite der Gabel. Führen Sie die Achse in das Gesenk und die Nabe ein, bis diese stoppt (der O-Ring neben der Spanndrehscheibe sollte innerhalb der Auslassenkung liegen).
3. Drehen Sie den Hebel 90 Grad im Uhrzeigersinn, bis Sie merken, dass dieser in seine Position klickt.
4. Legen Sie den Hebel auf die geschlossene Position um, um die Achse zu sichern. Falls Sie meinen, dass die Schließung des Hebels zu viel Kraft erfordert, stellen Sie die Spannung mit der Einstelldrehscheibe ein. Reduzieren Sie die Spannung ein, indem Sie die Einstelldrehscheibe im Uhrzeigersinn drehen. Durch Drehen gegen den Uhrzeigersinn wird die Spannung erhöht, falls sich die Achsel bei Schließung des Hebels zu locker anfühlt.

**WARNUNG**

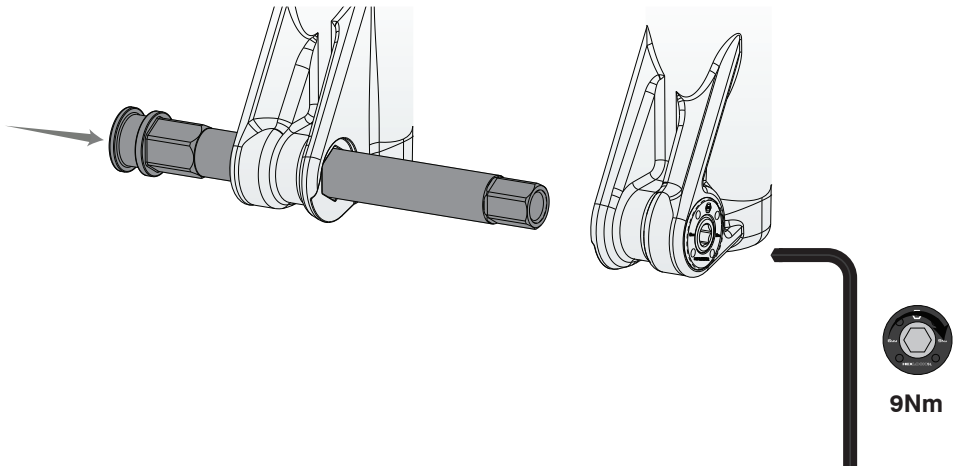
UNSACHGEMÄSS GESPANNTE ACHSEN, NICHT VOLLSTÄNDIG EINGERASTETE HEBEL ODER EINE ANDERE POSITION DES HEBELS ALS DIE NACH OBEN GESCHLOSSENE KANN ZU EINER LÖSUNG DER ACHSE UND ZUSCHWERWIEGENDEN ODER TÖDLICHEN VERLETZUNGEN FÜHREN.

MONTAGEANLEITUNGEN QR15



HEXLOCK SL - EINBAU DER STECKACHSE

1. DIE HEXLOCK SL STECKACHSE MIT EINEM DREHMOMENT VON 9 N·M / 80 LB·IN. EINBAUEN.



WARTUNG

Ihre Gabel muss regelmäßig gewartet, gereinigt und geprüft werden. Die Drehmomentwerte von Schrauben und Verbindungselementen müssen regelmäßig geprüft werden, bei Fahrten unter extremen Bedingungen sogar noch häufiger. Um eine optimale Leistung sicherzustellen, wird empfohlen, die Gabel regelmäßig auseinanderzubauen, zu reinigen, zu trocknen und neu zu schmieren. Wischen Sie nach jeder Fahrt die Innenholme und Dichtbereiche ab, um die Lebensdauer der Dichtungen zu erhöhen. **Wir empfehlen dringend, die Gabel von einem qualifizierten Fahrradmechaniker warten zu lassen. Sie können die Wartungs- und Einstellungsanleitungen online unter www.manitoumtb.com herunterladen.**

EMPFOHLENE WARTUNGSINTERVALLE FÜR ALLE MANITOU-FEDERGABELN

NORMALE BEDINGUNGEN

Kurze, sporadische Fahrten

Bauen Sie die Gabel gemäß dem Handbuch aus. Reinigen Sie alle 6 Monate das Gesenk und wechseln Sie das Öl der Ölbadschmierung. Warten Sie das Dämpfersystem, indem Sie das Dämpferöl jedes Jahr wechseln. Schmieren Sie die Federsäule wie erforderlich. Prüfen Sie bei Luftfedergabeln alle 2 Monate den Ölstand oben am Druckluftkolben gemäß den Anleitungen, die unter www.manitoumtb.com zu finden sind.

Lange, häufige Fahrten

Bauen Sie die Gabel gemäß dem Handbuch aus. Reinigen Sie alle 4 Monate das Gesenk und wechseln Sie das Öl der Ölbadschmierung. Warten Sie das Dämpfersystem, indem Sie das Dämpferöl jedes Jahr wechseln. Schmieren Sie die Federsäule wie erforderlich. Prüfen Sie bei Luftfedergabeln alle 6 Wochen den Ölstand oben am Druckluftkolben gemäß den Anleitungen, die unter www.manitoumtb.com zu finden sind.

SCHWERE EINSATZBEDINGUNGEN

Kurze, sporadische Fahrten

Bauen Sie die Gabel gemäß dem Handbuch aus. Reinigen Sie alle 4 Monate das Gesenk und wechseln Sie das Öl der Ölbadschmierung. Warten Sie das Dämpfersystem, indem Sie das Dämpferöl jedes Jahr wechseln. Schmieren Sie die Federsäule wie erforderlich. Prüfen Sie bei Luftfedergabeln alle 6 Wochen den Ölstand oben am Druckluftkolben gemäß den Anleitungen, die unter www.manitoumtb.com zu finden sind.

Lange, häufige Fahrten

Bauen Sie die Gabel gemäß dem Handbuch aus. Reinigen Sie alle 3 Monate das Gesenk und wechseln Sie das Öl der Ölbadschmierung. Warten Sie das Dämpfersystem, indem Sie das Dämpferöl jedes Jahr wechseln. Schmieren Sie die Federsäule wie erforderlich. Prüfen Sie bei Luftfedergabeln alle 4 Wochen den Ölstand oben am Druckluftkolben gemäß den Anleitungen, die unter www.manitoumtb.com zu finden sind.

TABELLE 2- EMPFOHLENES DREMOMENTWERTE

ELEMENT	DREHMOMENTWERTE - Nm (Zoll-lbs)
SECHSKANTACHSSCHRAUBEN	3,4 - 4,5 Nm (30 - 40 Zoll-lb)
FERNBEDIENLENERKERKLEMMUNG	0,45 - 0,68 Nm (4 - 6 Zoll-lb)
SPANNSCHRAUBE FERNBEDIENUNGSHEBEL	0,34 - 0,56 Nm (3 - 5 Zoll-lb)

Eingeschränkte Garantie:

HAYES garantiert, dass die Produkte bei normalen Verwendungsbedingungen für einen Zeitraum von einem Jahr (zwei Jahren in Ländern der Europäischen Union) ab dem Erwerbsdatum frei von Material- und Verarbeitungsfehlern sind, mit Ausnahme von normaler Abnutzung und üblichem Verschleiß. Sofern dies nicht gesetzlich verboten ist, werden alle fehlerhaften Produkte im Ermessen von HAYES repariert oder ersetzt, sobald diese zusammen mit dem Kaufbeleg Frachtkosten vorausbezahlt eingeschickt werden. Diese Garantie erstreckt sich nicht auf Brüche, Verbiegungen oder andere Schäden, die aufgrund von Stürzen oder des Herabfallens entstehen. Diese Garantie erstreckt sich nicht auf Schäden oder Mängel, die aufgrund von Veränderungen oder Änderungen der HAYES-Produkte bzw. durch normale Abnutzung, Unfälle, der unsachgemäßen Wartung, Schäden aufgrund der Verwendung von HAYES-Produkten zusammen mit denen anderer Hersteller, der unsachgemäßen Verwendung oder des Missbrauchs des Produkts, anderer Anwendungen oder Verwendungen als die in der HAYES-Bedienungsanleitung beschrieben oder der Nichtbefolgung der in der jeweiligen HAYES-Bedienungsanleitung enthaltenen Anweisungen entstehen. Die Bedienungsanleitungen könnten online unter www.hayescomponents.com gefunden werden. Alle Änderungen, die vom KÄUFER oder nachfolgenden Nutzern durchgeführt werden, führen zum Erlöschen der Garantie. Diese Garantie ist nicht anwendbar, wenn die Seriennummer oder der Fertigungscode vorsätzlich geändert, verunstaltet oder vom Produkt entfernt wurde. Die Kosten der normalen Wartung oder der Austausch von Ersatzteilen, die nicht fehlerhaft sind, geht zulasten des KÄUFERS. Soweit die lokalen Gesetze dies zulassen, gilt diese Garantie ausdrücklich anstelle aller sonstigen ausdrücklichen oder stillschweigenden Gewährleistungen (mit Ausnahme des Eigentumsrechts). Insbesondere schließt HAYES ohne Einschränkungen alle Gewährleistungen der Marktgängigkeit oder Eignung für einen bestimmten Zweck aus. Sollte aus irgendwelchen Gründen Reparaturarbeiten erforderlich sein, senden Sie das Bauteil bitte an den Einkaufsort zurück oder wenden sich an Ihren Händler oder lokalen HAYES-Vertreter. Bitte wenden Sie sich in den USA an HAYES unter der Nummer (888) 686-3472, um eine Rückgabegenehmigungsnummer (RA-Nr.) anzufordern. Zu diesem Zeitpunkt erhalten Sie auch die Anleitungen bezüglich der Reparatur, Rücksendung oder des Ersatzes. Kunden in Ländern außerhalb der USA sollten sich an ihren Händler oder lokalen HAYES-Vertreter wenden.

Haftungsbeschränkung.

Soweit das Gesetz nicht zwingend etwas anderes bestimmt, haftet HAYES nicht für beiläufige, indirekte, besondere oder Folgeschäden.

Diese Garantie erstreckt sich nicht auf normalen Verschleiß und übliche Abnutzung. Verschleiß- und Abnutzungsteile werden durch die normale Verwendung, die Nichtdurchführung der Wartung gemäß den Empfehlungen oder Fahrten unter nicht empfohlenen Bedingungen beschädigt. Die Kosten der normalen Wartung oder der Austausch von Ersatzteilen, die nicht fehlerhaft sind, geht zulasten des ursprünglichen Käufers. In der nachstehenden Liste werden die Verschleißteile aufgeführt, die nicht innerhalb der Garantie ersetzt werden:

- | | | |
|-----------------------|-----------------------------|------------------------------|
| - Buchsen | - Staubdichtungen | - Überdrehte oder abgenutzte |
| - Hintere Federung | - Gabel- und Luftfederungs- | Schrauben |
| Montagezubehör | dichtungen und/oder O-Ringe | - Fernbedienungskabel |
| - Lenkergriffe | - Lager | - Handschuhe |
| - Schlauchlos-Ventile | - Obere Standrohre | - Untere Standrohre (Dorado) |

MM

manitou

**MANUAL DEL USUARIO
DE LA HORQUILLA DE SUSPENSIÓN**

HORQUILLAS DE SUSPENSIÓN MANITOU

¡Felicidades! Si está leyendo esto, usted es un orgulloso propietario de los productos de suspensión de bicicletas ¡más finos del mundo! Estamos seguros de que mejorará su experiencia de rodaje. Su nueva horquilla Manitou está equipada con tecnología y queremos asegurarnos de que aproveche al máximo cada milímetro de recorrido. Por esta razón, continúe leyendo. Las páginas internas contienen información importante y de gran utilidad.

Gracias por hacer de Manitou su elección en suspensiones.

Este manual contiene información importante de seguridad, garantía y mantenimiento de su suspensión Manitou. Este manual también incluye instrucciones sobre la instalación segura y apropiada de su suspensión.

Este manual junto con guías de instalación y servicio para su suspensión, se pueden descargar desde el sitio web www.manitoumtb.com.

INFORMACIÓN IMPORTANTE DE SEGURIDAD

1. Las horquillas Manitou están diseñadas para un solo ciclista en los veredas para bicicleta de montaña y en condiciones similares fuera de camino. No están diseñadas para uso en serie ni para aplicaciones motorizadas.
2. Es muy importante que su horquilla Manitou se instale correctamente en la bicicleta. Se recomienda ampliamente que un técnico de bicicletas calificado instale la horquilla en su bicicleta. Una horquilla mal instalada es sumamente peligrosa y puede ocasionar lesiones graves o fatales.
3. Asegúrese de que sus frenos estén instalados y ajustados correctamente antes de montar en su bicicleta. Una instalación o ajuste incorrecto de los frenos puede resultar en lesiones graves o fatales.
4. Pare de montar inmediatamente si observa una fuga de aceite, piezas dobladas o rotas, tope superior o tope inferior excesivo, si se escuchan ruidos anormales u observa daños visuales en la horquilla y póngase en contacto con Hayes Components o con un centro de servicio autorizado de Hayes Components para su inspección.
5. No modifique su horquilla de ninguna manera. Cualquier modificación hecha a su horquilla Manitou invalidará la garantía y podría causar lesiones graves o fatales.
6. Utilice piezas de repuesto autorizadas Manitou únicamente. El uso de refacciones no autorizadas invalidará la garantía y podrían causar falla del amortiguador.

INFORMACIÓN IMPORTANTE DE SEGURIDAD

7. Si está usando un porta bicicletas que la sostiene por las punteras de la horquilla, tenga cuidado de no ladear la bicicleta hacia ninguno de los lados durante el montaje o desmontaje. Pueden ocurrir daños estructurales en las punteras y en las barras de la horquilla. Siempre sujete firmemente la horquilla con la palanca de liberación rápida y asegúrese de que la rueda posterior esté asegurada al porta bicicletas. Si la bicicleta se ladea o se cae del porta bicicletas no la monta hasta que la horquilla sea inspeccionada por Manitou o por un centro de servicio autorizado. Una falla en la barra o puntera de la horquilla puede resultar en pérdida de control de la bicicleta y causar lesiones graves o fatales.

8. Las horquillas Manitou no vienen con reflectores que cumplan con los requerimientos de la CPSC para uso en calle. Su distribuidor debe instalar los reflectores y/o la iluminación para cumplir con las leyes locales, estatales o federales si la horquilla va a ser usada en calle.

9. Siempre revise sus ruedas antes de montar, verifique que los pasadores de liberación rápida y/o los ejes pasantes estén ajustados y apretados correctamente.

RODAJE

Su nueva horquilla está diseñada para un rodaje de unos cuantos primeros paseos (alrededor de un total de 20 horas de tiempo de recorrido). Antes del rodaje, es probable que note que su horquilla se siente ajustada y ligeramente entallada. Después del periodo de rodaje, su horquilla se sentirá mucho más suave y reaccionará a los topes mucho mejor que cuando la instaló por primera vez en su bicicleta. Después de 20 horas, puede volver a revisar los ajustes (donde corresponda) para poner a punto la horquilla completamente.

INSTALACIÓN DE HORQUILLA – HORQUILAS DE CORONA SIMPLE

Le recomendamos ampliamente que su horquilla sea instalada por un técnico de bicicletas calificado.

 **ADVERTENCIA** LAS HORQUILLAS INSTALADAS INCORRECTAMENTE PUEDEN SER MUY PELIGROSAS Y CAUSAR LESIONES GRAVES O FATALES.

1. Quite la vieja horquilla de su bicicleta.
2. Mida y corte el tubo de dirección de modo que encaje en el tubo de la corona de su bicicleta. Antes de cortar consulte las instrucciones del fabricante del juego de dirección y del vástago para asegurarse de que la longitud del tubo de dirección sea suficiente para sujetar la dirección. Asegúrese de no dañar el tubo de dirección de ninguna manera por debajo del área de corte.

NOTA: Mida cuidadosamente, los tubos de dirección demasiado cortos no están cubiertos por la garantía.

3. Presione el anillo de rodadura de la corona sobre el tubo de dirección hasta que el anillo de rodadura asiente cómodamente contra la parte superior de la corona usando una herramienta de instalación de anillo de rodadura de corona siguiendo las instrucciones del fabricante del juego de dirección.
4. Limpie y engrase los rodamientos del juego de dirección y los anillos de rodadura conforme a las instrucciones del fabricante del juego de dirección.
5. Instale los rodamientos inferiores (si es aplicable) en el anillo de rodadura de la corona de la horquilla conforme a las instrucciones del fabricante del juego de dirección.
6. Inserte el tubo de dirección en el tubo de la cabeza del cuadro.
7. Instale los rodamientos superiores, espaciadores de vástago y el vástago.
8. Instale la tapa del vástago y el perno. Apriete el perno conforme a las especificaciones del fabricante del juego de dirección.
9. Instale los manubrios y apriete los tornillos pasadores o el sistema de retención del vástago conforme a las especificaciones del fabricante del vástago.
10. Instale los frenos y ajuste conforme a las instrucciones del fabricante de los frenos.
11. Para las horquillas equipadas con una palanca de bloqueo remoto MILO, instale la palanca en una posición de fácil acceso y apriete conforme a los valores indicados en este manual en la Tabla 2.
12. a. Para horquillas con punteras estándar (eje no pasante), la palanca de liberación rápida debe apretarse conforme a las especificaciones del fabricante de la palanca de liberación rápida después de que asiente correctamente en los orificios escariados de las punteras. Consulte el manual del usuario de la bicicleta respecto al uso y ajuste de la palanca de liberación rápida. NOTA: Las horquillas con punteras estándar están equipadas con una puntera de retención secundaria que sirve para retener la rueda en la horquilla en caso de que se suelte la palanca de liberación rápida.
 - b. Para instalar el eje hexagonal de 20mm, simplemente deslice el eje en la puntera, lado pequeño hexagonal del eje en el lado hexagonal grande de la puntera. Encamine el perno de retención en el lado hexagonal pequeño e inserte ligeramente. Empuje la horquilla hacia arriba y hacia abajo unas cuantas veces para centrar el eje y el cubo. Apriete los pernos pasadores del lado de accionamiento primero, luego el perno de extremo y finalmente los pernos pasadores del lado del disco. Apriete todos los pernos conforme a los valores de apriete recomendados en este manual.
 - c. Para instalar el eje QR15 consulte la sección de Instalación de QR15 en este manual.
13. Instale el cable de freno conforme a las instrucciones del fabricante.

**ADVERTENCIA**

EN CASO DE NO ENCAMINAR Y ASEGURAR CORRECTAMENTE EL CABLE DE FRENO DELANTERO A LA HORQUILLA PUEDE OCASIONAR LESIONES GRAVES O FATALES.

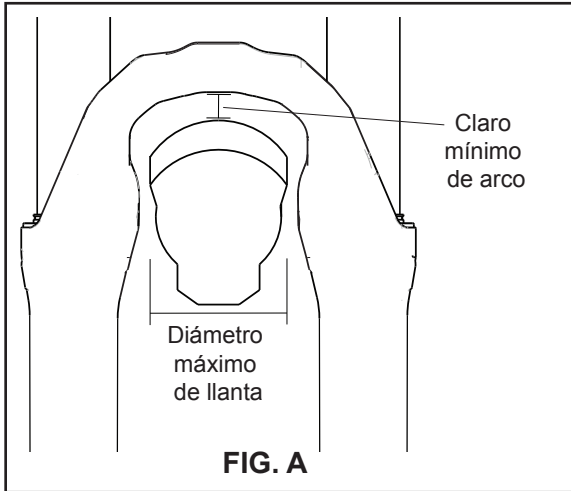
CLARO DE LA LLANTA

Antes de montar su bicicleta por primera vez después de cualquier cambio de llanta debe revisar que tenga el claro de llanta apropiado. Debe medir el ancho de la llanta y el claro del arco de la llanta. A continuación hay un diagrama que le ayudará a revisar el claro de llanta apropiado.



ADVERTENCIA

SI NO SIGUE LA GUÍA DE CLARO DE LLANTA PUEDE RESULTAR EN QUE LA LLANTA GOLPEE LA CORONA LO CUAL A SU VEZ PUEDE OCASIONAR LESIONES GRAVES O FATALES.



Consulte el diagrama a continuación para las dimensiones específicas a su modelo de horquilla.

TABLA 1 - CLARO DE LLANTA

	CLARO DE ARCO MÍNIMO	ANCHO DE LLANTA MÁXIMO
MODELO DE HORQUILLA	(VER FIGURA A)	
R7 PRO, R7 MRD, M30	10 mm	60 mm
CIRCUS SPORT, EXPERT, COMP HORQUILLAS MINUTE/MARVEL 26 HORQUILLAS MATCH 26 PULG	9.5 mm	63 mm
HORQUILLAS MINUTE 29 PULG HORQUILLAS MARVEL 29 PULG HORQUILLAS MATCH 29 PULG	12.0 mm	63 mm
HORQUILLAS MINUTE 27.5 PULG HORQUILLAS MARVEL 27.5 PULG	12.0 mm	65 mm
MATTOC 26	15.5 mm	63 mm
MATTOC 27.5	6 mm	63 mm

TABLA 1 - CLARO DE LLANTA

	CLARO DE ARCO MÍNIMO	ANCHO DE LLANTA MÁXIMO
MODELO DE HORQUILLA	(VER FIGURA A)	
MAGNUM	15mm	87mm
MACHETE 27.5+ (27.5+ llanta)	17mm	87mm
MACHETE 27.5+ (29" llanta)	10mm	58mm
MACHETE 29+	6mm	87mm

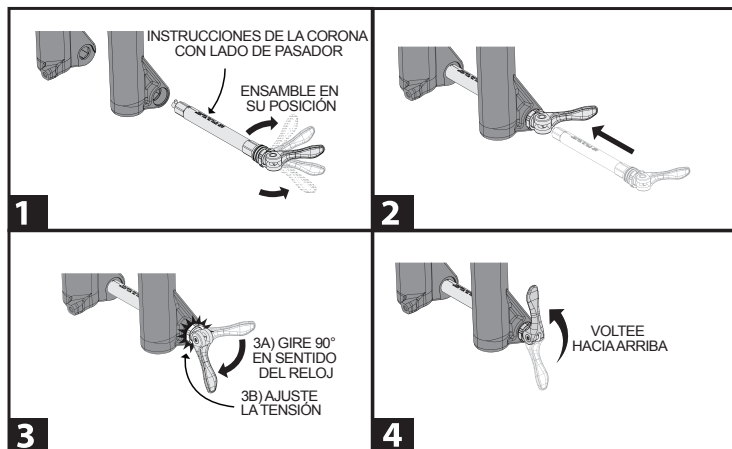
INSTRUCCIONES DE INSTALACIÓN DE QR15

1. Deslice la palanca a la posición abierta. Observará una flecha para abrir en el lado de la palanca. Alinee el pasador transversal con la flecha en el eje. Sentirá que hace clic en su lugar cuando está en la posición correcta.
2. Coloque la rueda en la horquilla. Inserte el eje en la puntera del lado de accionamiento de la horquilla. Al momento de insertar el eje, asegúrese de que la marca o la flecha en el eje esté boca arriba y que el pasador transversal esté en posición vertical. La palanca del eje apuntará hacia el frente de la horquilla. Inserte el eje a través de la parte forjada y el cubo hasta que tope (la junta tórica junto al dial de tensión debe estar dentro del orificio escariado de la parte forjada).
3. Gire la palanca 90 grados en sentido del reloj hasta que sienta que hace clic en su lugar.
4. Levante la palanca a la posición cerrada que bloquea del eje. Si se siente que requiere demasiada fuerza para cerrar la palanca, ajuste la tensión con el dial ajustador. Ajuste girando el dial ajustador en el sentido del reloj para disminuir la tensión. La rotación en sentido contrarreloj incrementa la tensión si el eje se siente demasiado flojo al momento de cerrar la palanca.

**ADVERTENCIA**

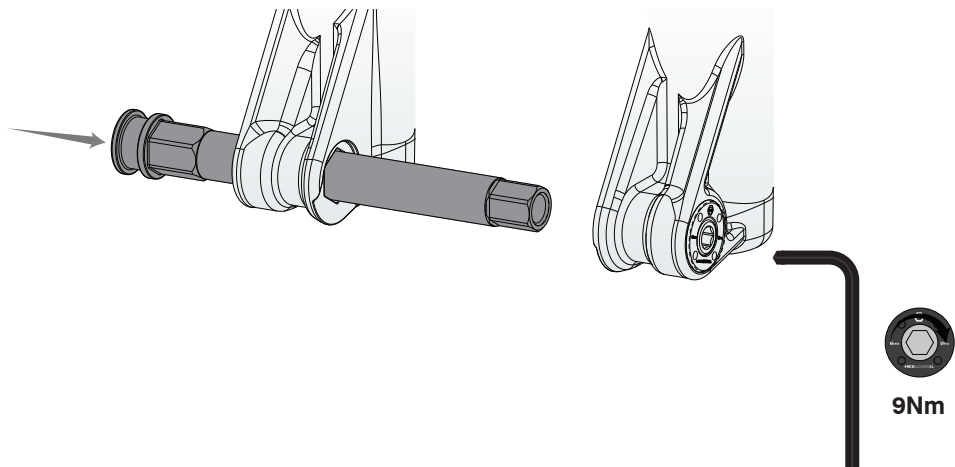
UN EJE TENSADO INCORRECTAMENTE, UNA PALANCA QUE NO ENGANCHA TOTALMENTE O UNA PALANCA EN CUALQUIER OTRA POSICIÓN DISTINTA A LA POSICIÓN CERRADA HACIA ARRIBA PUEDE RESULTAR EN UN DESENGANCHE DEL EJE CON POSIBILIDAD DE OCASIONAR LESIONES GRAVES O FATALES.

INSTRUCCIONES DE INSTALACIÓN DE QR15



HEXLOCK SL - INSTALACIÓN DEL EJE

1. INSTALE EL EJE HEXLOCK SLA UN VALOR DE FIJACIÓN DE 9 NM/80 LB-PULG.



MANTENIMIENTO

Su horquilla requiere de mantenimiento, limpieza e inspección periódicamente. Los valores de par de apriete de tornillos y sujetadores deben ser revisados periódicamente, y con mayor frecuencia si se monta bajo condiciones extremas. Para mantener un desempeño superior, se recomienda que la horquilla sea desensamblada, limpiada, secada y lubricada periódicamente. Después de cada recorrido limpie las barras internas y el área de sellado para extender la vida del sello. **Recomendamos ampliamente que el servicio de su horquilla sea realizado por un técnico de bicicletas calificado. Puede descargar las instrucciones de servicio y puesta a punto en línea en www.manitoumtb.com.**

INTERVALOS DE SERVICIO SUGERIDOS PARA TODAS LAS HORQUILLAS DE SUSPENSIÓN MANITOU

CONDICIONES NORMALES

Recorridos cortos, esporádicos	Recorridos largos, frecuentes
Desensamble la horquilla conforme al Manual de servicio. Limpie el cuadro y reemplace el aceite semi-baño cada 6 meses. Mantenga los sistemas de amortiguamiento cambiando el aceite del amortiguador cada año. Engrase el cañón del resorte como sea necesario. En modelos de horquilla neumática (de aire), revise el nivel de aceite que se encuentra arriba del pistón neumático cada 2 meses conforme a las instrucciones localizadas en www.manitoumtb.com .	Desensamble la horquilla conforme al Manual de servicio. Limpie el cuadro y reemplace el aceite semi-baño cada 4 meses. Mantenga los sistemas de amortiguamiento cambiando el aceite del amortiguador cada año. Engrase el cañón del resorte como sea necesario. En modelos de horquilla neumática (de aire), revise el nivel de aceite que se encuentra arriba del pistón neumático cada 6 semanas conforme a las instrucciones localizadas en www.manitoumtb.com .

CONDICIONES ADVERSAS

Recorridos cortos, esporádicos	Recorridos largos, frecuentes
Desensamble la horquilla conforme al Manual de servicio. Limpie el cuadro y reemplace el aceite semi-baño cada 4 meses. Mantenga los sistemas de amortiguamiento cambiando el aceite del amortiguador cada año. Engrase el cañón del resorte como sea necesario. En modelos de horquilla neumática (de aire), revise el nivel de aceite que se encuentra arriba del pistón neumático cada 6 semanas conforme a las instrucciones localizadas en www.manitoumtb.com .	Desensamble la horquilla conforme al Manual de servicio. Limpie el cuadro y reemplace el aceite semi-baño cada 3 meses. Mantenga los sistemas de amortiguamiento cambiando el aceite del amortiguador cada año. Engrase el cañón del resorte como sea necesario. En modelos de horquilla neumática (de aire), revise el nivel de aceite que se encuentra arriba del pistón neumático cada 4 semanas conforme a las instrucciones localizadas en www.manitoumtb.com .

TABLA 2- ESPECIFICACIONES DE PAR DE TORSIÓN RECOMENDADO

ARTÍCULO	ESPECIFICACIONES DE PAR DE TORSIÓN - Nm (pulg-lb)
PERNOS DE EJE HEXAGONALES	3.4 a 4.5 Nm (30 a 40 pulg-lb)
ABRAZADERA DE MANUBRIO REMOTO	0.45 a 0.68 Nm (4 a 6 pulg-lb)
TORNILLO DE ABRAZADERA DE CABLE DE PALANCA REMOTA	0.34 a 0.56 Nm (3 a 5 pulg-lb)

Garantía limitada:

HAYES garantiza que sus productos no tienen defectos en materiales ni fabricación bajo condiciones normales de uso destinado por un periodo de un año (dos años en los países de la Unión Europea) a partir de la fecha de compra, sujetos al desgaste y deterioro normal. Excepto donde esté prohibido por ley, cualquier producto defectuoso será reparado o reemplazado a opción de HAYES cuando se reciba el recibo de compra, con envío prepagado. Esta garantía no cubre rupturas, dobleces ni daños que puedan resultar de choques o caídas. Esta garantía no cubre ningún defecto ni daños causados por alteraciones o modificaciones de los productos HAYES o por desgaste normal, accidentes, mantenimiento incorrecto, ni daños causados por el uso de los productos HAYES con piezas de otros fabricantes, por uso indebido o abuso del producto, por aplicación o uso distinto a lo establecido en el manual de instrucciones de HAYES o por incumplimiento a seguir las instrucciones contenidas en el manual de instrucciones de HAYES correspondiente. Los manuales de instrucciones se pueden encontrar en línea en www.hayescomponents.com. Cualquier modificación hecha por el COMPRADOR o por cualquier usuario subsecuente anulará o invalidará la garantía. Esta garantía no aplica cuando el número de serie o el código de producción ha sido alterado, deformado o eliminado deliberadamente del producto. El costo del mantenimiento normal o de reposición de los artículos de servicio, los cuales no estén defectuosos, será responsabilidad del COMPRADOR. Conforme lo permita la ley, esta garantía expresamente reemplaza todas las otras garantías (excepto la de titularidad), expresas o implícitas, y en particular y sin limitación HAYES renuncia a la responsabilidad de las garantías implícitas de comerciabilidad o aptitud para un propósito. Si por alguna razón desea aplicar la garantía, devuelva el componente al lugar de compra o póngase en contacto con su distribuidor local de HAYES. En los Estados Unidos, póngase en contacto con HAYES para obtener un número de autorización de devolución (RA#) llamando al (888) 686-3472. En ese momento, recibirá instrucciones para la reparación, devolución o reemplazo. Los clientes en otros países, excepto Estados Unidos, deberán ponerse en contacto con su concesionario o distribuidor local de HAYES.

Responsabilidad limitada.

Salvo cuando sea obligatorio por ley, HAYES no se hará responsable de daños accesorios, indirectos, cuantificables o daños y perjuicios.

Esta garantía no aplica al desgaste y deterioro normal. Las piezas de desgaste y deterioro están sujetas a daños por uso normal, por no proporcionar el servicio conforme a las recomendaciones o por montar bajo condiciones distintas a las recomendadas. El costo del mantenimiento normal o el reemplazo de piezas de servicio, las cuales no estén defectuosas, será pagado por el comprador original. La siguiente lista es de piezas de desgaste y deterioro que no serán reemplazadas bajo garantía:

- | | | |
|------------------------|----------------------------------|---------------------------------|
| - Bujes | - Sellos antipolvo | - Pernos barridos o desgastados |
| - Amortiguador trasero | - Sellos y/o juntas tóricas de | - Cable de bloqueo remoto |
| Herraje de montaje | aire de horquilla y amortiguador | - Guantes |
| - Mangos de manubrio | - Rodamientos | - Puntal inferior |
| - Válvulas sin cámara | - Tubos de puntal superior | Tubos(Dorado) |

MM

manitou

**MODE D'EMPLOI DE LA FOURCHE À
SUSPENSION**

FOURCHES SUSPENDUES MANITOU

Félicitations ! Si vous lisez ceci, c'est que vous êtes l'heureux propriétaire de l'une des meilleures suspensions pour vélos de la planète terre ! Nous sommes certains que ceci va améliorer votre expérience du vélo. Votre nouvelle suspension Manitou est bourrée de technologie, et nous voulons être sûrs que vous tirez le meilleur de chaque millimètre de votre itinéraire. Aussi, veuillez lire. Les pages qui suivent sont truffées d'informations importantes et utiles.

Merci d'avoir choisi Manitou pour votre suspension.

Le présent manuel contient des informations importantes de sécurité, de garantie et d'entretien pour votre suspension Manitou. Sont également comprises des instructions pour installer convenablement et en toute sécurité votre suspension.

Le présent manuel ainsi que des guides supplémentaires d'installation et d'entretien pour votre suspension peuvent être téléchargés sur le site Internet www.manitoumtb.com.

IMPORTANTES CONSIGNES DE SÉCURITÉ

1. Les fourches Manitou sont conçues pour un coureur unique sur des sentiers pour vélo tout-terrain et des conditions hors-piste similaires. Elles ne sont pas conçues pour une utilisation en tandem ou pour des applications motorisées.
2. Il est très important que votre fourche Manitou soit installée convenablement sur la bicyclette. Il est fortement recommandé de faire appel à un mécanicien vélo qualifié pour installer la fourche sur votre bicyclette. Une fourche mal installée est extrêmement dangereuse et peut causer des blessures graves ou mortelles.
3. Veillez à ce que les freins soit correctement installés et réglés avant d'enfourcher votre vélo. Une mauvaise installation ou un mauvais réglage des freins peut causer des blessures graves ou mortelles.
4. Cessez immédiatement d'utiliser la fourche si vous remarquez une fuite d'huile, des pièces tordues/cassées, une surélévation ou un surbaissement, des bruits inhabituels ou des dommages visibles sur la fourche et contactez immédiatement Hayes Components ou un centre d'entretien agréé Hayes Components pour inspection.
5. Ne modifiez pas votre fourche en aucune façon. Toute modification de votre fourche Manitou annulera la garantie et risque de causer des blessures graves ou mortelles.
6. Utiliser uniquement des pièces de rechange Manitou. L'utilisation de quelconques pièces de rechange non agréés du marché secondaire annulera la garantie et risque de causer des blessures graves ou mortelles.

IMPORTANTES CONSIGNES DE SÉCURITÉ

7. Si vous utilisez un cadre qui maintient le vélo par les pattes de fourche, veillez à ne pas incliner le vélo d'un côté ou de l'autre lors du montage ou du démontage. Les pattes et fourreaux de fourche risquent d'être structurellement endommagés. Toujours fixer la fourche solidement avec le dégagement rapide et veiller à ce que la roue arrière soit fixée au cadre. Si la bicyclette est inclinée ou tombe du cadre, ne montez pas jusqu'à ce que la fourche soit inspectée par Manitou ou un centre d'entretien agréé. Une défaillance du fourreau ou d'une patte de fourche peut entraîner une perte de contrôle du vélo et causer des blessures graves ou mortelles.

8. Les fourches Manitou ne sont pas équipées de réflecteurs répondant aux spécifications de la CPSC pour une utilisation sur route. Votre revendeur doit installer des réflecteurs et / ou des éclairages répondant à toutes les lois fédérales, étatiques ou locales si la fourche va être utilisée sur route.

9. Toujours vérifier vos roues avant de monter et vérifier les broches de dégagement rapide et / ou les essieux traversants sont correctement ajustés et serrés.

RODAGE

Votre nouvelle fourche est conçue pour être en rodage durant vos premières courses (environ 20 heures de cyclisme total). Avant le rodage, il est possible que vous remarquiez que la fourche semble trop serrée et quelque peu crantée. Après la période de rodage, votre fourche semblera beaucoup plus douce et réagira beaucoup mieux aux bosses que lors de la première installation sur votre vélo. Au bout de 20 heures, vous pouvez vérifier les réglages (le cas échéant) pour parfaitement ajuster la fourche.

INSTALLATION DE LA FOURCHE - FOURCHES À COURONNE SIMPLE

Nous recommandons vivement que votre fourche soit installée par un mécanicien vélo qualifié.

 **AVERTISSEMENT** DES FOURCHES MAL INSTALLÉES SONT EXTRÊMEMENT DANGEREUSES ET PEUVENT CAUSER DES BLESSURES GRAVES OU MORTELLES.

1. Déposer l'ancienne fourche de votre vélo.
2. Mesurer et couper le tube de direction afin de l'adapter à votre tube de direction. Avant toute découpe, consulter les instructions du fabricant de votre potence et de votre jeu de direction pour vous assurer que vous disposez de suffisamment de longueur de tube de direction pour fixer la direction. Veiller à ne pas endommager le tube de direction de quelque façon en dessous de la zone de coupe.

REMARQUE : Mesurer soigneusement, les tubes de direction coupés trop courts ne sont pas couverts par la garantie.

3. Presser la bague de couronne sur le pivot de fourche jusqu'à ce que la bague s'ajuste contre le haut de la couronne à l'aide d'un outil d'installation de bague de couronne selon les instructions du fabricant du jeu de direction.
4. Nettoyer et graisser les roulements et les bagues du jeu de direction selon les instructions du fabricant du jeu de direction.
5. Installer les roulements inférieurs (le cas échéant) sur la bague de couronne de la fourche selon les instructions du fabricant du jeu de direction.
6. Insérer la colonne de direction dans le tube de direction du cadre.
7. Installer les roulements supérieurs, les entretoises de potence et la potence.
8. Installer le capuchon et le boulon de potence. Serrer le boulon selon les instructions du fabricant du jeu de direction.
9. Installer le guidon et serrer les vis de pincement de la potence ou le système de fixation de la potence selon les instructions du fabricant de la potence.
10. Installer les freins et régler selon les instructions du fabricant de frein.
11. Pour les fourches équipées d'un levier de blocage au guidon MILO, installer le levier dans une position facilement accessible et serrer aux couples indiqués dans ce manuel au tableau 2.
12. a. Pour les fourches à pattes standards (axe non traversant), le dégagement rapide doit être serré selon les spécifications du fabricant du dégagement rapide après avoir été correctement positionné dans les alésages de patte. Consulter le mode d'emploi de votre bicyclette à propos du bon usage et réglage du levier de dégagement rapide. **REMARQUE** : Les fourches avec des pattes standards sont équipées d'une patte de prise secondaire pour retenir la roue dans la fourche au cas où le dégagement rapide se desserre.
- b. Pour installer l'essieu hexagonal 20 mm, il suffit de glisser l'essieu dans la patte, le petit côté de l'essieu hexagonal en premier dans la grande patte hexagonale. Enfiler le boulon de réglage sur le petit côté hexagonal et serrer légèrement. Pousser la fourche de haut en bas plusieurs fois pour centrer l'essieu et le moyeu. Serrer les boulons de serrage latéraux d'entraînement, puis le boulon d'extrémité et enfin les boulons de serrage latéraux de disque. Serrer tous les boulons aux valeurs de couple recommandées décrites dans ce manuel.
- c. Pour installer l'essieu QR15 veuillez vous référer à la section d'installation QR15 de ce manuel.
13. Installer le câble de frein conformément aux instructions du fabricant.



AVERTISSEMENT

UN CÂBLE DE FREIN AVANT MAL ENGAGÉ ET MAL FIXÉ À LA FOURCHE PEUT CAUSER DES BLESSURES GRAVES OU MORTELLES.

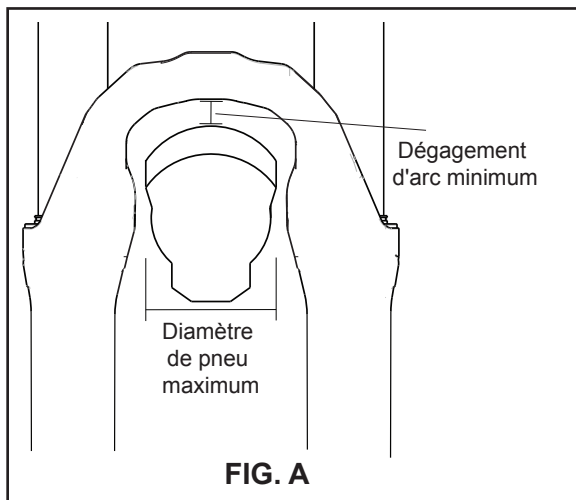
DÉGAGEMENT DES PNEUS

Avant de monter sur votre vélo pour la première fois et après tout changement de pneu, vous devez vérifier le dégagement des pneus. Vous devez mesurer la largeur du pneu et le dégagement de l'arc du pneu. Voici un schéma pour vous aider à vérifier le dégagement approprié des pneus.



AVERTISSEMENT

L'INOBSERVATION DES SPÉCIFICATIONS DE DÉGAGEMENT DE PNEU RISQUE DE FAIRE TAPER LE PNEU CONTRE LA COURONNE ET DE CAUSER DES BLESSURES GRAVES OU MORTELLES.



Veillez vous référer au tableau ci-dessous pour les dimensions spécifiques à votre modèle de fourche.

TABLEAU 1 - DÉGAGEMENT DES PNEUS

	ARCHE MINIMUM DÉGAGEMENT	MAXIMUM LARGEUR DE PNEU
MODÈLE DE FOURCHE	(VOIR LA FIGURE A)	
R7 PRO, R7 MRD, M30	10 mm	60 mm
CIRCUS SPORT, EXPERT, COMP FOURCHES 26 PO MINUTE/MARVEL FOURCHES 26 PO MATCH	9,5 mm	63 mm
FOURCHES 29 PO MINUTE FOURCHES 29 PO MARVEL FOURCHES 29 PO MATCH	12,0 mm	63 mm
FOURCHES 27,5 PO MINUTE FOURCHES 27,5 PO MARVEL	12,0 mm	65 mm
MATTOC 26	15,5 mm	63 mm
MATTOC 27,5	6 mm	63 mm

TABLEAU 1 - DÉGAGEMENT DES PNEUS

	ARCHE MINIMUM DÉGAGEMENT	MAXIMUM LARGEUR DE PNEU
MODÈLE DE FOURCHE	(VOIR LA FIGURE A)	
MAGNUM	15mm	87mm
MACHETE 27,5+ (27.5+ pneu)	17mm	87mm
MACHETE 27,5+ (29 pneu)	10mm	58mm
MACHETE 29+	6mm	87mm

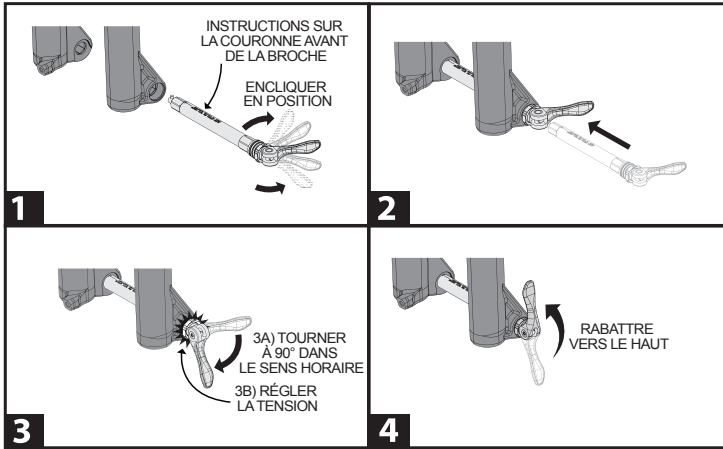
QR15 INSTRUCTIONS D'INSTALLATION

1. Faire pivoter le levier en position ouverte. Vous verrez une flèche ouverte sur le côté du levier. Aligner la contre-goupille sur la flèche de l'essieu. Vous ressentirez un déclic lorsqu'elle atteint la bonne position.
2. Placer la roue dans la fourche. Insérer l'essieu dans la patte latérale d'entraînement de la fourche. En introduisant l'essieu, s'assurer que le repère ou la flèche sur l'essieu est face vers le haut et que la contre-goupille est verticale. Le levier de l'essieu pointera en direction de l'avant de la fourche. Insérer l'essieu à travers le scellement et le moyeu jusqu'à ce qu'il s'arrête (le joint torique du sélecteur de tension doit être à l'intérieur de l'alésage du scellement).
3. Tourner le levier de 90 degrés dans le sens horaire jusqu'à ce qu'il s'enclenche en place.
4. Retourner le levier en position fermée pour verrouiller l'essieu. S'il semble qu'il faille trop de force pour fermer le levier, régler la tension avec la molette de réglage. Régler en tournant la molette de réglage dans le sens horaire pour diminuer la tension. Une rotation anti-horaire augmentera la tension si l'essieu semble trop lâche lors de la fermeture du levier.

**AVERTISSEMENT**

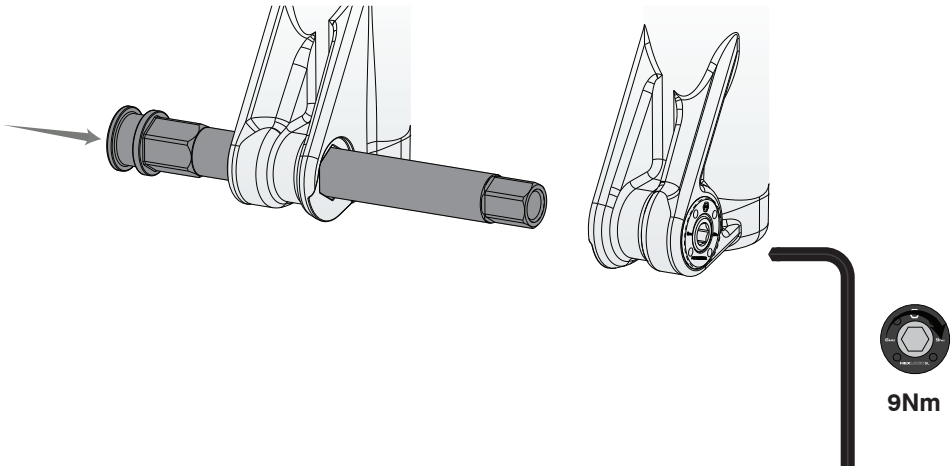
UN ESSIEU MAL TENDU, UN LEVIER INCOMPLÈTEMENT ENGAGÉ OU UN LEVIER EN POSITION AUTRE QUE LA POSITION FERMÉE VERS LE HAUT PEUT ENTRAÎNER LE DÉSENGAGEMENT DE L'ESSIEU ET CAUSER DES BLESSURES GRAVES OU MORTELLES.

QR15 INSTRUCTIONS D'INSTALLATION



HEXLOCK SL - INSTALLATION DE L'ESSIEU

1. INSTALLER L'ESSIEU HEXLOCK SL À UN COUPLE DE SERRAGE DE 9 N-M / 80 LB-IN.



ENTRETIEN

Votre fourche requiert un entretien, un nettoyage et une inspection périodiques. Les valeurs de couple des boulons et des fixations doivent être vérifiées périodiquement, et plus fréquemment pour le cyclisme dans des conditions extrêmes. Pour conserver des performances optimales, il est recommandé que la fourche soit périodiquement démontée, nettoyée, séchée et re-lubrifiée. Après chaque course, essuyer les fourreaux intérieurs et la région du joint afin de prolonger la durée de vie du joint.

Nous recommandons vivement que l'entretien de votre fourche soit effectué par un mécanicien vélo qualifié. Vous pouvez télécharger des instructions d'entretien et de personnalisation sur www.manitoumtb.com.

INTERVALLES D'ENTRETIEN RECOMMANDÉS POUR TOUTES LES FOURCHES SUSPENDUES MANITOU

CONDITIONS NORMALES

Promenades courtes, sporadiques

Démonter la fourche en suivant le mode d'emploi Nettoyer le scellement et remplacer l'huile Semi Bath tous les 6 mois. Entretien des systèmes d'amortissement en changeant l'huile d'amortisseur chaque année. Graisser les lames de ressort le cas échéant. Sur les modèles à fourche pneumatique, vérifier le niveau d'huile au-dessus du piston à air tous les 2 mois selon les directives disponibles sur www.manitoumtb.com.

Promenades longues, fréquentes

Démonter la fourche en suivant le mode d'emploi Nettoyer le scellement et remplacer l'huile Semi Bath tous les 4 mois. Entretien des systèmes d'amortissement en changeant l'huile d'amortisseur chaque année. Graisser les lames de ressort le cas échéant. Sur les modèles à fourche pneumatique, vérifier le niveau d'huile au-dessus du piston à air toutes les 6 semaines selon les directives disponibles sur www.manitoumtb.com.

CONDITIONS SÉVÈRES

Promenades courtes, sporadiques

Démonter la fourche en suivant le mode d'emploi Nettoyer le scellement et remplacer l'huile Semi Bath tous les 4 mois. Entretien des systèmes d'amortissement en changeant l'huile d'amortisseur chaque année. Graisser les lames de ressort le cas échéant. Sur les modèles à fourche pneumatique, vérifier le niveau d'huile au-dessus du piston à air toutes les 6 semaines selon les directives disponibles sur www.manitoumtb.com.

Promenades longues, fréquentes

Démonter la fourche en suivant le mode d'emploi Nettoyer le scellement et remplacer l'huile Semi Bath tous les 3 mois. Entretien des systèmes d'amortissement en changeant l'huile d'amortisseur chaque année. Graisser les lames de ressort le cas échéant. Sur les modèles à fourche pneumatique, vérifier le niveau d'huile au-dessus du piston à air toutes les 4 semaines selon les directives disponibles sur www.manitoumtb.com.

TABLEAU 2 - COUPLES RECOMMANDÉS

ÉLÉMENT	SPÉCIFICATIONS DE COUPLE DE SERRAGE - Nm (po-lbs)
BOULONS D'ESSIEU HEXAGONAL	3,4 - 4,5 Nm (30 - 40 po-lb)
BLOCAGE AU GUIDON	0,45 - 0,68 Nm (4 - 6 po-lb)
VIS DE CÂBLE DE LEVIER DE BLOCAGE AU GUIDON	0,34 - 0,56 Nm (3 - 5 po-lb)

Garantie limitée :

HAYES garantit que ses produits sont exempts de défauts de pièces et de main d'œuvre en utilisation normale prévue pendant une période de un an (deux ans dans les pays de l'Union européenne) à partir de la date d'achat, sous réserve de l'usure normale. Sauf en cas d'interdiction par la loi, de tels produits défectueux seront réparés ou remplacés à la convenance de HAYES lors de la réception avec une preuve d'achat, port payé. Cette garantie ne couvre pas le bris, les déformations ou les dommages qui pourraient résulter de chutes. Cette garantie ne couvre pas les défauts ou les dommages causés par des altérations ou des modifications des produits HAYES ou par l'usure normale, les accidents, un mauvais entretien, les dommages causés par l'utilisation de produits HAYES avec des pièces de différents fabricants, une utilisation mauvaise ou abusive de ce produit, l'application d'usages autres que ceux énoncés dans le manuel d'instruction HAYES ou l'inobservation des instructions contenues dans le mode d'emploi HAYES en vigueur. Les modes d'emploi sont disponibles en ligne sur www.hayescomponents.com. Toute modification apportée par l'ACHETEUR ou tout autre utilisateur ultérieur rendra la garantie nulle et non avenue. Cette garantie ne s'applique pas lorsque le numéro de série ou le code de production a été intentionnellement altéré, rendu illisible ou supprimé du produit. Le coût de l'entretien normal ou du remplacement d'éléments d'entretien, qui ne sont pas défectueux, est de la responsabilité de l'ACHETEUR. Si elle est autorisée par la législation locale, cette garantie remplace expressément toutes les autres garanties (sauf pour le titre), expresse ou implicite, particulièrement et sans limitation HAYES décline les garanties implicites de qualité marchande ou d'adéquation à un usage. Si pour une raison quelconque des travaux sous garantie sont nécessaires, retourner la pièce sur le lieu d'achat ou contacter votre revendeur ou votre distributeur HAYES local. Aux États-Unis, contacter Hayes afin d'obtenir un numéro d'autorisation de retour (N° RA) au (888) 686-3472. À cette occasion, des instructions pour la réparation, le retour ou le remplacement seront données. Les clients hors des États-Unis doivent contacter leur revendeur ou leur distributeur HAYES local.

Limitation de responsabilité.

Sauf si la loi en stipule autrement, HAYES ne sera pas responsable des quelconques dommages accessoires, indirects ou particuliers.

La présente garantie ne s'applique pas à l'usure normale. Les pièces d'usure sont endommagées par l'utilisation normale, l'absence d'entretien conforme aux recommandations ou l'utilisation dans des conditions autres que recommandées. Le coût de l'entretien normal ou du remplacement d'éléments d'entretien, qui ne sont pas défectueux, doit être payé par l'acheteur original. La liste suivante énumère les pièces d'usure qui ne seront pas remplacés sous garantie :

- | | | |
|---------------------------------|---|------------------------------|
| - Bagues | - Joints anti-poussière | - Boulons détachés ou usés |
| - Amortisseur arrière | - Fourche et amortisseur pneumatique joints | - Câble de blocage au guidon |
| - Matériel de montage | et/ou joint toriques | - Gants |
| - Poignées de guidon | - Entretoises | - Plongeur inférieur |
| - Valves pour pneu sans chambre | - Plongeurs supérieurs | Tubes (Dorado) |

MM

manitou

**FORCELLA AMMORTIZZATA - MANUALE
PER L'UTENTE**

FORCELLE AMMORTIZZATE MANITOU

Congratulazioni! Se stai leggendo questo manuale sei diventato l'orgoglioso proprietario di uno dei migliori ammortizzatori per bici del pianeta! Siamo certi che questo prodotto migliorerà la tua esperienza ciclistica. La tua nuova forcella Manitou è dotata di tecnologia sofisticata e vogliamo accertarci che tu possa sfruttarla al massimo su ogni centimetro di strada. Continua a leggere, poiché queste pagine contengono informazioni utili e importanti.

Grazie per avere scelto un ammortizzatore Manitou.

Questo manuale contiene informazioni importanti sulla sicurezza, sulla garanzia e sulla manutenzione di questo prodotto Manitou. Comprende inoltre istruzioni su come installare l'ammortizzatore in modo corretto e sicuro.

Questo manuale e le guide aggiuntive di allestimento e manutenzione per l'ammortizzatore sono scaricabili dal sito Web www.manitoumtb.com.

INFORMAZIONI DI SICUREZZA IMPORTANTI

1. Le forcelle Manitou sono progettate per un solo ciclista su sentieri da mountain bike e condizioni simili in fuoristrada. Non sono progettate per i tandem o i veicoli motorizzati.
2. È molto importante installare correttamente la forcella Manitou sulla bici. Consigliamo caldamente di fare installare la forcella da un meccanico da bici qualificato. Una forcella installata in modo errato è estremamente pericolosa e potrebbe causare lesioni gravi o morte.
3. Verificare che i freni siano installati e correttamente regolati prima di usare la bici. Un'installazione o una regolazione impropria dei freni potrebbe causare lesioni gravi o morte.
4. Interrompere immediatamente l'uso della bici se si notano perdite di olio, parti piegate/rotte, escursione superiore o inferiore eccessiva, rumori insoliti o danni evidenti alla forcella e contattare Hayes Components o un centro di assistenza autorizzato Hayes Components per richiedere un'ispezione.
5. Non modificare in alcun modo la forcella. Qualsiasi modifica apportata alla forcella Manitou annulla la garanzia e potrebbe causare lesioni gravi o morte.
6. Usare solo parti di ricambio Manitou autorizzate. L'uso di parti di ricambio non originali e non autorizzate annulla la garanzia e potrebbe causare malfunzionamento del prodotto.

INFORMAZIONI DI SICUREZZA IMPORTANTI

7. Se si utilizza un sostegno che trattiene la bici per gli inserti della forcella, prestare attenzione a non inclinare la bici su uno dei lati durante il montaggio o lo smontaggio, poiché potrebbero verificarsi danni strutturali agli inserti e alle gambe della forcella. Serrare sempre strettamente la forcella con lo sgancio rapido e verificare che la ruota posteriore sia fissata al sostegno. Se la bici è inclinata o cade dal sostegno, non usarla finché la forcella non viene ispezionata da Manitou o da un centro assistenza autorizzato. Un cedimento della gamba o dell'inserto della forcella potrebbe provocare una perdita di controllo della bici e causare lesioni gravi o morte.

8. Le forcelle Manitou non sono dotate di riflettori conformi ai requisiti CPSC per l'uso su strada. Se la forcella verrà impiegata su strada, il concessionario è tenuto a installare i riflettori e/o le luci per soddisfare eventuali normative statali o locali.

9. Controllare sempre le ruote prima di usare la bici e verificare che i perni a sgancio rapido e/o passanti siano regolati e serrati correttamente.

RODAGGIO

La forcella deve essere sottoposta a rodaggio (circa 20 ore di utilizzo in totale). Prima del rodaggio si può notare che la forcella appare rigida e non molto fluida. Dopo il periodo di rodaggio la forcella diventerà molto più morbida e reagirà agli urti molto meglio rispetto al periodo immediatamente successivo all'installazione. Dopo 20 ore è consigliabile ricontrollare le regolazioni (dove applicabile) per mettere definitivamente a punto la forcella.

INSTALLAZIONE DELLA FORCELLA – FORCELLA A PIASTRA SINGOLA

Consigliamo caldamente di fare installare la forcella da un meccanico da bici qualificato.



AVVERTENZA

UNA FORCELLA INSTALLATA IN MODO ERRATO PUÒ ESSERE MOLTO PERICOLOSA E CAUSARE LESIONI GRAVI O MORTE.

1. Estrarre la vecchia forcella dalla bici.
2. Misurare e tagliare il tubo del cannotto di sterzo per adattarlo al tubo anteriore della bici. Prima di tagliare consultare le istruzioni del produttore dello stelo e della piastra per verificare che la lunghezza del tubo del cannotto di sterzo sia sufficiente per serrare il cannotto. Non danneggiare il tubo del cannotto di sterzo sotto l'area di taglio.

NOTA: misurare con attenzione, poiché i tubi del cannotto di sterzo troppo corti non sono coperti dalla garanzia.

3. Premere l'anello della piastra sul canotto di sterzo finché non è installata saldamente sulla parte superiore della piastra utilizzando uno strumento di installazione apposito e seguendo le istruzioni del produttore della piastra.
4. Pulire e ingrassare i cuscinetti della piastra e dell'anello seguendo le istruzioni del produttore della piastra.
5. Installare i cuscinetti inferiori (se applicabile) sull'anello della piastra della forcella seguendo le istruzioni del produttore della piastra.
6. Inserire il tubo del canotto di sterzo nel tubo anteriore del telaio.
7. Installare i cuscinetti superiori, i distanziatori dello stelo e lo stelo.
8. Installare il tappo e il bullone dello stelo. Serrare il bullone secondo le specifiche del produttore della piastra.
9. Installare il manubrio e serrare le viti di fissaggio o il sistema di fissaggio dello stelo secondo le specifiche del produttore dello stelo.
10. Installare i freni e regolarli secondo le specifiche del produttore dei freni.
11. Per le forcelle dotate di leva di blocco remoto MILO, installare la leva in una posizione facilmente raggiungibile e serrare ai valori indicati nella Tabella 2 di questo manuale.
12. a. Per forcelle con inserto standard (perno non passante), lo sblocco rapido deve essere serrato secondo le specifiche del produttore dello sblocco rapido dopo essere stato installato correttamente nei controfori dell'inserto. Per informazioni sul corretto uso e regolazione della leva di sblocco rapido consultare il manuale della bici. NOTA: le forcelle con inserto standard sono dotate di un inserto di sicurezza secondario per mantenere la ruota nella forcella in caso di allentamento dello sblocco rapido.
b. Per installare il perno esagonale da 20 mm è sufficiente fare scorrere il perno nell'inserto, inserendo per primo il lato esagonale piccolo del perno nel lato esagonale grande dell'inserto. Infilare il dado nel lato esagonale piccolo e serrare leggermente. Spingere in alto e in basso la forcella per alcune volte per centrare il perno e il mozzo. Serrare prima i bulloni di fissaggio del lato di azionamento, quindi il bullone finale e infine i bulloni di fissaggio del lato disco. Serrare tutti i bulloni ai valori di serraggio consigliati riportati in questo manuale.
c. Per installare il perno QR15 consultare la sezione Istruzioni di installazione del QR15 di questo manuale.
13. Installare il cavo del freno secondo le istruzioni del produttore.

**AVVERTENZA**

SE IL CAVO DEL FRENO ANTERIORE VIENE POSIZIONATO E COLLEGATO IN MODO SCORRETTO ALLA FORCELLA POTREBBE CAUSARE LESIONI GRAVI O MORTE.

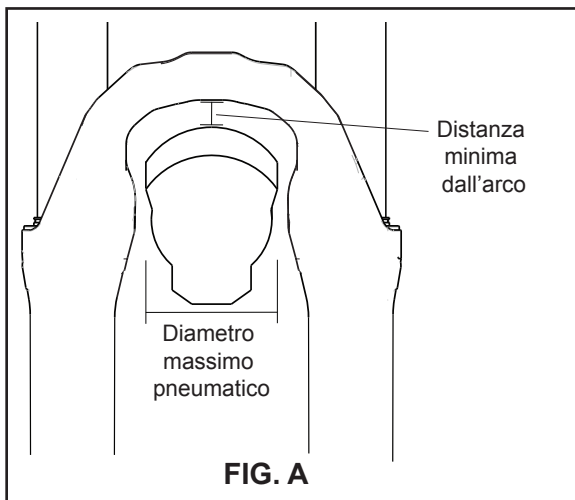
GIOCO DELLO PNEUMATICO

Prima di usare la bici per la prima volta e dopo il cambio di uno pneumatico è necessario controllarne il gioco. Misurare la larghezza dello pneumatico e la distanza dall'arco. Di seguito viene riportato un diagramma che consente di controllare il gioco corretto dello pneumatico.



AVVERTENZA

IL MANCATO RISPETTO DELLE LINEE GUIDA PER IL GIOCO DELLO PNEUMATICO POTREBBE PROVOCARE UN CONTATTO CON LA PIASTRA, CAUSANDO POTENZIALMENTE LESIONI GRAVI O MORTE.



Consultare il grafico sotto riportato per le dimensioni specifiche del modello di forcella acquistato.

TABELLA 1 - GIOCO PNEUMATICO

	DISTANZA MINIMA DALL'ARCO	LARGHEZZA MASSIMA PNEUMATICO
MODELLO FORCELLA	(VEDERE LA FIGURA A)	
R7 PRO, R7 MRD, M30	10 mm	60 mm
CIRCUS SPORT, EXPERT, COMP FORCELLE MINUTE DA 26 POL. FORCELLE MARVEL DA 26 POL. FORCELLE MATCH DA 26 POL.	9,5 mm	63 mm
FORCELLE MINUTE DA 29 POL. FORCELLE MARVEL DA 29 POL. FORCELLE MATCH DA 29 POL.	12 mm	63 mm
FORCELLE MINUTE DA 27,5 POL. FORCELLE MARVEL DA 27,5 POL.	12 mm	65 mm
MATTOC 26	15,5 mm	63 mm
MATTOC 27,5	6 mm	63 mm

TABELLA 1 - GIOCO PNEUMATICO

	DISTANZA MINIMA DALL'ARCO	LARGHEZZA MASSIMA PNEUMATICO
MODELLO FORCELLA	(VEDERE LA FIGURA A)	
MAGNUM	15mm	87mm
MACHETE 27,5+ (27.5+ pneumatico)	17mm	87mm
MACHETE 27,5+ (29 pneumatico)	10mm	58mm
MACHETE 29+	6mm	87mm

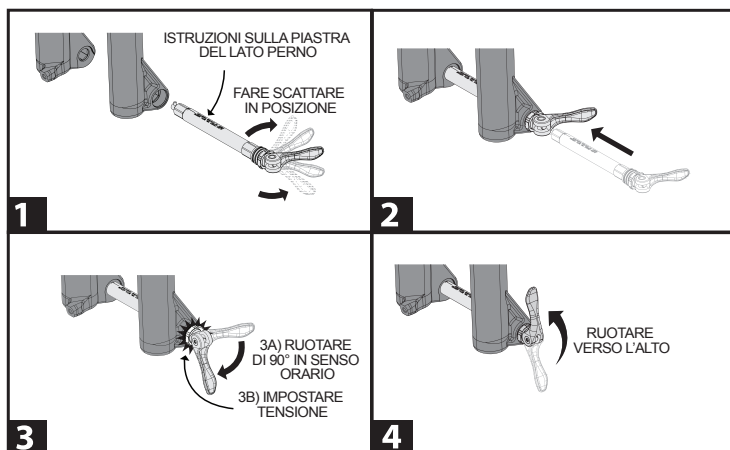
ISTRUZIONI DI INSTALLAZIONE DEL QR15

1. Aprire la leva. Al lato della leva è visibile una freccia di apertura. Allineare la spina trasversale con la freccia sul perno. La posizione corretta è indicata da uno scatto.
2. Collocare la ruota nella forcella. Inserire il perno nell'inserito del lato di azionamento della forcella. Durante l'inserimento del perno, assicurarsi che il segno o la freccia sul perno sia rivolta verso l'alto e che la spina trasversale sia verticale. La leva del perno sarà rivolta verso la parte anteriore della forcella. Inserire il perno attraverso il cerchione e il mozzo finché non si arresta (l'O-ring presso la ghiera di registro della tensione deve essere all'interno del controforo del cerchione).
3. Ruotare la leva di 90 gradi in senso orario finché non scatta in posizione.
4. Sollevare la leva in posizione chiusa, bloccando il perno. Se sembra necessaria una forza eccessiva per chiudere la leva, regolare la tensione con la ghiera di registro. Regolare girando la ghiera di registro in senso orario per ridurre la tensione. Una rotazione in senso antiorario aumenta la tensione se il perno sembra troppo lento quando si chiude la leva.

**AVVERTENZA**

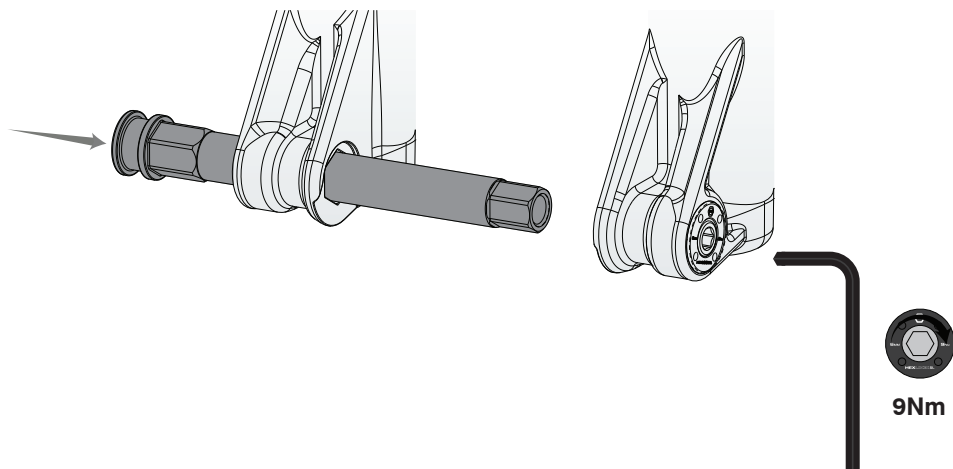
UN PERNO CON UNA TENSIONE ERRATA, UNA LEVA NON COMPLETAMENTE CHIUSA O IN UNA POSIZIONE DIVERSA DALLA POSIZIONE CHIUSA VERSO L'ALTO POTREBBE CAUSARE UN DISINNESTO DEL PERNO, PROVOCANDO POTENZIALMENTE LESIONI GRAVI O MORTE.

ISTRUZIONI DI INSTALLAZIONE DEL QR15



HEXLOCK SL - INSTALLAZIONE DEL PERNO

1. INSTALLARE IL PERNO HEXLOCK SL A UNA COPPIA DI 9 NM.



MANUTENZIONE

La forcella necessita periodicamente di manutenzione, pulizia e ispezione. I valori di serraggio dei bulloni e dei dispositivi di fissaggio devono essere controllati periodicamente, più spesso in caso di uso in condizioni estreme. Per mantenere prestazioni ottimali, è consigliabile smontare, pulire, asciugare e lubrificare periodicamente la forcella. Dopo ogni uso, pulire le gambe interne e l'area delle guarnizioni per prolungarne la durata.

Consigliamo caldamente di fare eseguire la manutenzione della forcella da un meccanico da bici qualificato. Le istruzioni di manutenzione e messa a punto sono scaricabili dal sito Web www.manitoumtb.com.

INTERVALLI DI MANUTENZIONE CONSIGLIATI PER TUTTE LE FORCELLE AMMORTIZZATE MANITOU

CONDIZIONI NORMALI

Usò breve e sporadico

Smontare la forcella seguendo le istruzioni del Manuale di manutenzione. Pulire il cerchione e sostituire il bagno d'olio semiaperto ogni 6 mesi. Effettuare la manutenzione dei sistemi di ammortizzazione cambiando l'olio ogni anno. Ingrassare il pacco delle molle secondo necessità. Sui modelli di forcella ad aria, controllare il livello dell'olio indicato in cima al pistone ad aria ogni 2 mesi secondo le istruzioni riportate sul sito Web www.manitoumtb.com.

Usò lungo e frequente

Smontare la forcella seguendo le istruzioni del Manuale di manutenzione. Pulire il cerchione e sostituire il bagno d'olio semiaperto ogni 4 mesi. Effettuare la manutenzione dei sistemi di ammortizzazione cambiando l'olio ogni anno. Ingrassare il pacco delle molle secondo necessità. Sui modelli di forcella ad aria, controllare il livello dell'olio indicato in cima al pistone ad aria ogni 6 settimane secondo le istruzioni riportate sul sito Web www.manitoumtb.com.

CONDIZIONI IMPEGNATIVE

Usò breve e sporadico

Smontare la forcella seguendo le istruzioni del Manuale di manutenzione. Pulire il cerchione e sostituire il bagno d'olio semiaperto ogni 4 mesi. Effettuare la manutenzione dei sistemi di ammortizzazione cambiando l'olio ogni anno. Ingrassare il pacco delle molle secondo necessità. Sui modelli di forcella ad aria, controllare il livello dell'olio indicato in cima al pistone ad aria ogni 6 settimane secondo le istruzioni riportate sul sito Web www.manitoumtb.com.

Usò lungo e frequente

Smontare la forcella seguendo le istruzioni del Manuale di manutenzione. Pulire il cerchione e sostituire il bagno d'olio semiaperto ogni 3 mesi. Effettuare la manutenzione dei sistemi di ammortizzazione cambiando l'olio ogni anno. Ingrassare il pacco delle molle secondo necessità. Sui modelli di forcella ad aria, controllare il livello dell'olio indicato in cima al pistone ad aria ogni 4 settimane secondo le istruzioni riportate sul sito Web www.manitoumtb.com.

TABELLA 2 - SPECIFICHE DI SERRAGGIO CONSIGLIATE

ARTICOLO	SPECIFICHE DI SERRAGGIO - Nm (pol.-lb)
BULLONI PERNO ESAGONALE	3,4 - 4,5 Nm (30 - 40 pol.-lb)
MORSETTO REMOTO MANUBRIO	0,45 - 0,68 Nm (4 - 6 pol.-lb)
VITE DEL MORSETTO CAVO REMOTO	0,34 - 0,56 Nm (3 - 5 pol.-lb)

Garanzia limitata:

HAYES garantisce che i suoi prodotti sono privi di difetti dei materiali e di lavorazione in condizioni di normale uso previsto per un periodo di un anno (due anni nei paesi dell'Unione Europea) a partire dalla data di acquisto, se soggetti alla normale usura. Tranne quando vietato dalla legge, gli eventuali prodotti difettosi verranno riparati o sostituiti a discrezione di HAYES se accompagnati dalla prova di acquisto, con trasporto prepagato. Questa garanzia non copre rotture, piegature o danni causati da urti o cadute. Questa garanzia non copre eventuali difetti o danni causati da alterazioni o modifiche dei prodotti HAYES o da normale usura, incidenti, manutenzione errata, danni causati dall'uso dei prodotti HAYES con parti di altri produttori, uso improprio o abuso del prodotto, applicazione o usi diversi da quelli indicati nel manuale di istruzione HAYES o dal mancato rispetto delle istruzioni contenute nel manuale di istruzioni HAYES di riferimento. I manuali di istruzioni sono disponibili online nel sito Web www.hayescomponents.com. Qualsiasi modifica apportata dall'ACQUIRENTE o da utenti successivi annullerà la garanzia. Questa garanzia non si applica se il numero di serie o il codice di produzione è stato deliberatamente alterato, cancellato o rimosso dal prodotto. Il costo della normale manutenzione o sostituzione per assistenza di parti non difettose sarà a carico dell'ACQUIRENTE. Se consentito dalla legge in vigore, questa garanzia sostituisce tutte le altre garanzie, salvo quelle relative alla proprietà, espresse o implicite; in particolare, e senza limitazione, HAYES non riconosce le garanzie implicite di commerciabilità o idoneità all'uso. Se per qualsiasi motivo è necessario un lavoro in garanzia, restituire il componente al negozio in cui è stato acquistato o contattare il concessionario o il distributore HAYES di zona. Negli USA, contattare HAYES per ricevere un numero di autorizzazione reso (n. RA) al numero (888) 686-3472. Nel corso della telefonata verranno fornite istruzioni per la riparazione, la restituzione o la sostituzione. I clienti residenti in paesi diversi dagli USA devono contattare il concessionario o il distributore HAYES di zona.

Limitazione di responsabilità.

Tranne quando stabilito dalle leggi in vigore, HAYES non è responsabile in caso di danni incidentali, indiretti, speciali o conseguenti.

Questa garanzia non si applica alla normale usura. Le parti usurate sono soggette a danni dovuti a uso normale, mancata manutenzione conforme alle raccomandazioni o uso in condizioni diverse da quelle consigliate. Il costo della normale manutenzione o sostituzione delle parti non difettose sarà a carico dell'acquirente originale. Segue un elenco di parti soggette a usura che non vengono sostituite in garanzia:

- | | | |
|---|---|--|
| - Boccole | - Parapolvere | - Bulloni spanati o usurati |
| - Materiali di montaggio
ammortizzatore posteriore | - Guarnizioni di tenuta e/o O-ring
forcella e ammortizzatore | - Cavo di blocco remoto |
| - Manopole manubrio | - Cuscinetti | - Guanti |
| - Valvole tubeless | - Tubi montante superiore | - Montante inferiore
Camere d'aria (Dorado) |

MM

manitou

**GEBRUIKSHANDLEIDING
SUSPENSIEVORK**

MANITOU-SUSPENSIEVORKEN

Gefeliciteerd! Als u dit leest, dan bent u de trotse eigenaar van één van de beste suspensieproducten voor fietsen ter wereld! Wij weten zeker dat het uw fietservaring zal verbeteren. Uw nieuwe Manitou-vork zit vol met technologie, en wij willen ervoor zorgen dat u het beste haalt uit elke millimeter verplaatsing. Dus lees verder. De pagina's hieronder zitten vol met belangrijke en nuttige informatie.

Hartelijk dank dat u voor uw suspensie hebt gekozen voor Manitou.

Deze handleiding bevat belangrijke veiligheid-, garantie- en onderhoudsinformatie voor uw Manitou-suspensieproduct. Deze handleiding bevat tevens instructies voor het goed en veilig installeren van uw suspensie.

Men kan deze handleiding, samen met aanvullende installatie- en servicehandleidingen voor uw suspensie, downloaden van de website www.manitoumtb.com.

BELANGRIJKE VEILIGHEIDSINFORMATIE

1. Manitou-vorken zijn ontworpen voor één enkele fietser op mountainbikepaden en vergelijkbare terreincondities. Ze zijn niet ontworpen voor gebruik bij tandems of gemotoriseerde toepassingen.
2. Het is erg belangrijk dat uw Manitou-vork op de juiste manier wordt geïnstalleerd op de fiets. Het wordt sterk aangeraden om een gekwalificeerde fietsmonteur de vork op uw fiets te laten installeren. Een onjuist geïnstalleerde vork is uiterst gevaarlijk en zou kunnen leiden tot ernstig letsel of de dood.
3. Zorg ervoor dat de remmen zijn geïnstalleerd en goed zijn afgesteld voordat u uw fiets gaat gebruiken. Een onjuiste installatie of afstelling van de remmen zou kunnen leiden tot ernstig letsel of de dood.
4. Stop onmiddellijk met het gebruik van de vork als u lekkende olie, verbogen/kapotte onderdelen, teveel uitsteken boven of onder, ongebruikelijke geluiden of visuele schade opmerkt aan de vork, en neem contact op met Hayes Components of een geautoriseerd Hayes Components-servicecentrum voor inspectie.
5. Pas uw vork op geen enkele manier aan. Door elke aanpassing van uw Manitou-vork komt de garantie te vervallen en dit zou ernstig letsel of de dood kunnen veroorzaken.
6. Gebruik alleen geautoriseerde vervangende onderdelen van Manitou. Door het gebruik van enige niet-geautoriseerde extra onderdelen komt de garantie te vervallen en zou kunnen leiden tot ontregeling van de schokbreker.

BELANGRIJKE VEILIGHEIDSINFORMATIE

7. Bij het gebruik van een drager die vastzit aan de fiets bij de vorkpadden, moet u uitkijken dat u de fiets niet kantelt naar een van beide zijden bij het monteren of demonteren. Structurele schade aan de vorkpadden en armen kan optreden. Maak de vork altijd stevig vast met de snelsluiting en zorg ervoor dat het achterwiel is bevestigd aan de drager. Als de fiets wordt gekanteld of van de drager valt, moet u niet gaan fietsen totdat de vork wordt geïnspecteerd door Manitou of een geautoriseerd servicecentrum. Een fout in de vorkarm of het pad zou kunnen leiden tot verlies van controle over de fiets en bijgevolg in ernstig letsel of de dood.

8. Manitou-vorken worden zonder reflectors geleverd en voldoen daarmee niet aan de CPSC-vereisten voor gebruik op de weg. Uw dealer moet reflectors en/of verlichting installeren om te voldoen aan alle federale, nationale of lokale wetgeving indien de vork op de weg gebruikt gaat worden.

9. Controleer altijd uw wielen voorafgaand aan het fietsen, controleer dat de snelsluitingen en/of de steekassen juist zijn afgesteld en vastgezet.

INRIJDEN

Uw vork is ontworpen om in te rijden tijdens uw eerste paar ritten (een totale fietstijd van ongeveer 20 uur). Voorafgaand aan het inrijden, kunt u merken dat uw vork stroef en enigszins getand aanvoelt. Na de inrijperiode voelt uw vork veel soepeler aan en reageert veel beter op hobbels dan op het moment dat u deze voor het eerst op uw fiets zet. Na 20 uur kunt u de afstellingen opnieuw willen controleren (indien van toepassing) om de vork volledig en nauwkeurig af te stellen.

VORKINSTALLATIE – VORKEN MET ENKELE KROON

Wij raden sterk aan om uw vork te laten installeren door een gekwalificeerde fietsmonteur.

 **WAARSCHUWING** ONJUIST GEÏNSTALLEERDE VORKEN KUNNEN ERG GEVAARLIJK ZIJN EN Zouden kunnen leiden tot ernstig letsel of de dood.

1. Verwijder de oude vork van uw fiets.
2. Meet en snijd de stuurstang af zodat deze past op de kopstang van uw fiets. Voorafgaand aan het snijden moet u de instructies van de fabrikant van uw stang en kopset raadplegen om ervoor te zorgen dat u voldoende stuurstanglengte hebt voor het vastklemmen van het stuur. Zorg ervoor dat u de stuurstang op geen enkele manier beschadigt onder het snijgebied.

NB: Meet zorgvuldig want te kort afgesneden stuurstangen vallen niet onder de garantie.

3. Druk het bovenloopvlak op de stuurstang totdat het vlak nauwsluitend tegen de bovenkant van de kroon is geplaatst met gebruik van een installatiegereedschap voor bovenloopvlakken volgens de instructies van de fabrikant van de kopset.
4. Reinig en smeer de kopsetlagers en loopvlakken volgens de instructies van de fabrikant van de kopset.
5. Installeer de onderste lagers (indien van toepassing) op het bovenloopvlak van de vork volgens de instructies van de fabrikant van de kopset.
6. Plaats de stuurstang in de kopstang van het frame.
7. Installeer de bovenste lagers, de vulringen van de stang en de stang.
8. Installeer de stangkap en bout. Draai de bout vast volgens de specificaties van de fabrikant van de kopset.
9. Installeer het stuur en draai de drukschroeven van de stang of het klemsysteem van de stang aan volgens de specificaties van de fabrikant van de stang.
10. Installeer de remmen en stel af volgens de instructies van de fabrikant van de remmen.
11. Voor vorken die zijn uitgerust met een externe MILO-vergrendelhendel, installeert u de hendel op een gemakkelijk toegankelijke positie en draait u aan volgens de waarden die worden aangegeven in tabel 2 in deze handleiding.
12. a. Voor vorken met standaard padden (geen via de as) moet de snelsluiting worden vastgedraaid volgens de specificaties van de fabrikant van de snelsluiting nadat deze op de juiste manier is geplaatst in de verzinboren van de padden. Zie de handleiding van uw fiets voor het juiste gebruik en afstelling van de snelslithendel. NB: Vorken met standaard padden zijn uitgerust met een secundaire vergrendelpad voor het vasthouden van het wiel in de vork in het geval dat de snelsluiting los komt.
 - b. Voor het installeren van de hexagonale as van 20 mm, schuift u de as gewoonweg in het pad, met de kleine hexagonale zijde van de as eerst in de grote hexagonale zijde van het pad. Schroef de stelbout in de kleine hexagonale zijde en maak enigszins nauwsluitend. Duw de vork een paar keer omhoog en omlaag om de as en de naaf te centreren. Draai de klembouten aan de aandrijfzijde eerst vast, vervolgens de eindbout en tenslotte de klembouten aan de schijfzijde. Draai alle bouten vast op de aanbevolen aandraaiwaarden die men kan vinden in deze handleiding.
 - c. Voor het installeren van de QR15-as wordt verwezen naar de paragraaf QR15-installatie in deze handleiding.
13. Installeer de remkabel volgens de instructies van de fabrikant.



WAARSCHUWING

HET NIET JUIST TREKKEN EN STEVIG BEVESTIGEN VAN DE VOORSTE REMKABEL KAN ERNSTIG LETSEL OF DE DOOD VEROORZAKEN.

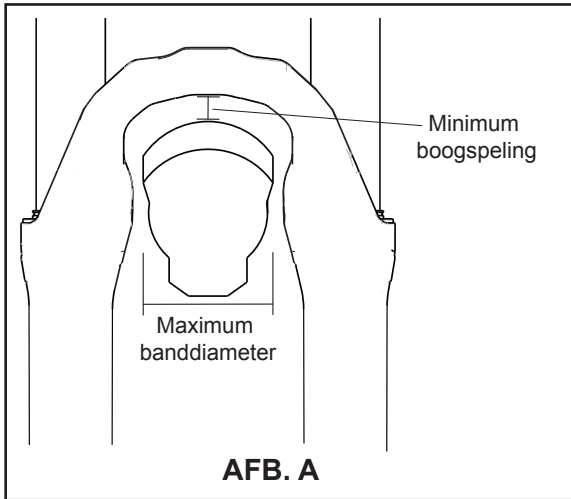
BANDENSPELING

Voordat u uw fiets voor de eerste keer gebruikt en na het verwisselen van de banden, moet u de juiste bandenspelings controleren. U moet de breedte van de banden en de boogspeling van de banden meten. Hieronder staat een diagram om u te helpen bij het controleren van de juiste bandenspelings.



WAARSCHUWING

HET NIET OPVOLGEN VAN DE RICHTLIJNEN VOOR BANDENSPELING ZOU ERTOE KUNNEN LEIDEN DAT DE BAND DE KROON RAAKT MET MOGELIJK ERNSTIG LETSEL OF DE DOOD TOT GEVOLG.



Zie het diagram hieronder voor specifieke afmetingen voor uw vorkmodel.

TABEL 1 - BANDENSPELING

	MINIMUMBOOG SPELING	MAXIMUM BREEDTE VAN DE BANDEN
VORKMODEL	(ZIE AFBEELDING A)	
R7 PRO, R7 MRD, M30	10 mm	60 mm
CIRCUS SPORT, EXPERT, COMP MINUTE/MARVEL-VORKEN VAN 26" MATCH-VORKEN VAN 26"	9,5 mm	63 mm
MINUTE-VORKEN VAN 29" MARVEL-VORKEN VAN 29" MATCH-VORKEN VAN 29"	12,0 mm	63 mm
MINUTE-VORKEN VAN 27,5" MARVEL-VORKEN VAN 27,5"	12,0 mm	65 mm
MATTOC 26	15,5 mm	63 mm
MATTOC 27,5	6 mm	63 mm

TABEL 1 - BANDENSPELING

	MINIMUMBOOG SPELING	MAXIMUM BREEDTE VAN DE BANDEN
VORKMODEL	(ZIE AFBEELDING A)	
MAGNUM	15mm	87mm
MACHETE 27,5+ (27.5+ banden)	17mm	87mm
MACHETE 27,5+ (29 banden)	10mm	58mm
MACHETE 29+	6mm	87mm

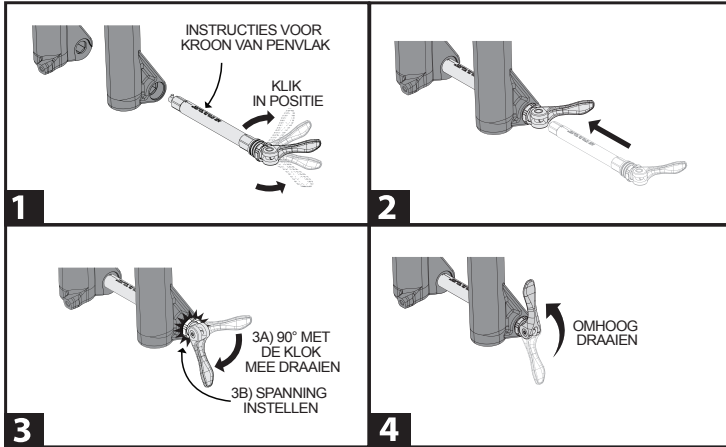
QR15-INSTALLATIE-INSTRUCTIES

1. Draai de hendel naar de geopende stand. U ziet een pijl voor openen aan de zijkant van de hendel. Lijn de dwarspen uit met de pijl op de as. U voelt het op de plaats klikken wanneer het in de juiste stand staat.
2. Plaats het wiel in de vork. Plaats de as in het pad aan de aandrijfzijde van de vork. Bij het plaatsen van de as wilt u ervoor zorgen dat het opschrift of de pijl op de as omhoog is gericht en dat de dwarspen verticaal staat. De hendel van de as is naar buiten gericht richting de voorkant van de vork. Steek de as door het gietwerk en de naaf totdat het stopt (de O-ring bij de spanningsknop moet zich binnen de verzinkboor van het gietwerk bevinden).
3. Draai de hendel 90 graden met de klok mee totdat u deze op de plaats voelt klikken.
4. Draai de hendel omhoog tot de gesloten stand waardoor de as wordt vergrendeld. Als het voelt alsof er teveel kracht nodig is om de hendel te sluiten, stelt u de spanning af met de spanningsknop. Stel af door de afstelknop met de klok mee te draaien om de spanning te verlagen. Door rotatie tegen de klok in wordt de spanning verhoogd als de as te los aanvoelt bij het sluiten van de hendel.

**WAARSCHUWING**

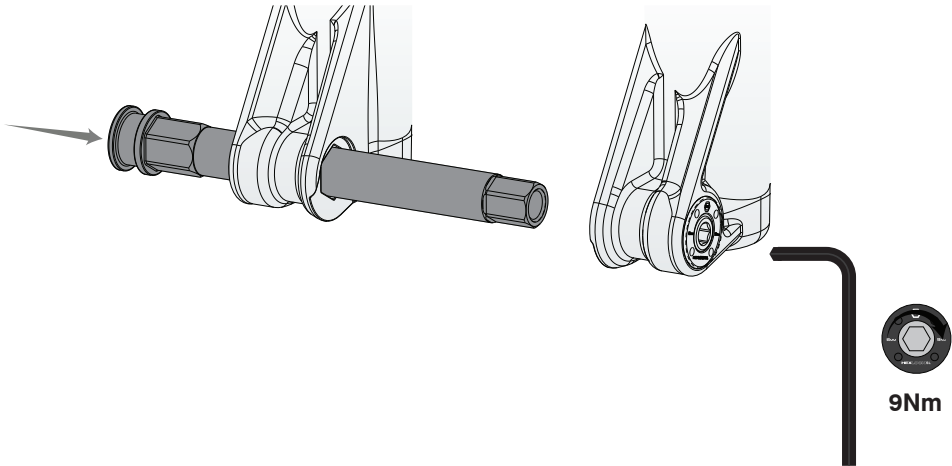
EEN ONJUIST GESPANNEN AS, EEN HENDEL DIE NIET VOLLEDIG IS GEKOPPELD OF EEN HENDEL DIE IN EEN ANDERE STAND STAAT DAN DE OPWAARTSE GESLOTEN STAND, ZOU KUNNEN LEIDEN TOT LOSKOPPELING VAN DE AS MET MOGELIJK ERNSTIG LETSEL OF DE DOOD ALS GEVOLG.

QR15-INSTALLATIE-INSTRUCTIES



HEXLOCK SL - AS INSTALLEREN

1. INSTALLEER DE HEXLOCK SL-AS OP EEN KOPPEL VAN 9 N-M / 80 LB-IN.



ONDERHOUD

Uw vork heeft periodiek onderhoud, reiniging en inspectie nodig. Aandraaiwaarden van bouten en bevestigingsmiddelen moeten periodiek worden gecontroleerd, en vaker bij gebruik onder extreme condities. Om een topprestatie te onderhouden, wordt het aanbevolen om de vork periodiek te demonteren, reinigen, drogen en opnieuw te smeren. Veeg na elke rit de binnenste armen en het afdichtgebied af om de levensduur van de afdichting te verlengen. **Wij raden sterk aan om het onderhoud van uw vork uit te laten voeren door een gekwalificeerde fietsmonteur. U kunt service- en afstelinstructies downloaden van het internet via www.manitoumtb.com.**

AANBEVOLEN SERVICE-INTERVALLEN VOOR ALLE MANITOU-SUSPENSIEVORKEN

NORMALE CONDITIES

Korte, sporadische ritten

Demonteer de vork volgens de servicehandleiding. Reinig het gietwerk en ververs Semi Bath-olie om de 6 maanden. Geef dempingssystemen een servicebeurt door de demperolie elk jaar te verversen. Smeer de veergroep als nodig. Bij modellen met luchtork, moet u het oliepeil bovenop de luchtzuiger om de 2 maanden controleren volgens de aanwijzingen die men kan vinden op www.manitoumtb.com.

Lange, frequente ritten

Demonteer de vork volgens de servicehandleiding. Reinig het gietwerk en ververs Semi Bath-olie om de 4 maanden. Geef dempingssystemen een servicebeurt door de demperolie elk jaar te verversen. Smeer de veergroep als nodig. Bij modellen met luchtork, moet u het oliepeil bovenop de luchtzuiger om de 6 maanden controleren volgens de aanwijzingen die men kan vinden op www.manitoumtb.com.

ZWARE CONDITIES

Korte, sporadische ritten

Demonteer de vork volgens de servicehandleiding. Reinig het gietwerk en ververs Semi Bath-olie om de 4 maanden. Geef dempingssystemen een servicebeurt door de demperolie elk jaar te verversen. Smeer de veergroep als nodig. Bij modellen met luchtork, moet u het oliepeil bovenop de luchtzuiger om de 6 maanden controleren volgens de aanwijzingen die men kan vinden op www.manitoumtb.com.

Lange, frequente ritten

Demonteer de vork volgens de servicehandleiding. Reinig het gietwerk en ververs Semi Bath-olie om de 3 maanden. Geef dempingssystemen een servicebeurt door de demperolie elk jaar te verversen. Smeer de veergroep als nodig. Bij modellen met luchtork, moet u het oliepeil bovenop de luchtzuiger om de 4 maanden controleren volgens de aanwijzingen die men kan vinden op www.manitoumtb.com.

TABEL 2- AANBEVOLEN SPECIFICATIES VOOR AANDRAAIMOMENT

ITEM	AANDRAAISPECIFICATIES - Nm (in-lbs)
HEXAGONALE ASBOUTEN	3,4 - 4,5 Nm (30 - 40 in-lb)
EXTERNE STUURKLEM	0,45 - 0,68 Nm (4 - 6 in-lb)
EXTERNE KLEMSCHROEF VAN HENDELKABEL	0,34 - 0,56 Nm (3 - 5 in-lb)

Beperkte garantie:

HAYES garandeert dat haar producten vrij zijn van defecten in materiaal of uitvoering bij normaal bedoeld gebruik en voor een periode van één jaar (twee jaar in landen van de Europese Unie) vanaf het moment van aankoop, onderhevig aan normale slijtage. Tenzij dit anderszins wettelijk wordt verboden, worden alle dergelijke kapotte producten gerepareerd of vervangen naar goeddunken van HAYES wanneer deze portvrij worden ontvangen met aankoopbewijs. Deze garantie dekt geen breken, buigen of schade die het gevolg kan zijn van botsingen of vallen. Deze garantie dekt geen defecten of schade die wordt veroorzaakt door wijzigingen of aanpassingen van HAYES-producten of door normale slijtage, ongelukken, onjuist onderhoud, schade die wordt veroorzaakt door het gebruik van HAYES-producten met onderdelen van andere fabrikanten, onjuist gebruik of misbruik van het product, andere toepassingen of gebruik dan wat wordt omschreven in de HAYES-instructiehandleiding of het niet opvolgen van de instructies in de toepasselijke HAYES-instructiehandleiding. Instructiehandleidingen kan men online vinden op www.hayescomponents.com. Door alle aanpassingen die worden gedaan door de KOPER of enige volgende gebruiker komt de garantie te vervallen. Deze garantie geldt niet wanneer het serienummer of de productiecode opzettelijk is gewijzigd, beschadigd of verwijderd van het product. De kosten voor normaal onderhoud of vervanging van service-items, die niet kapot zijn, is de verantwoordelijkheid van de KOPER. Indien dit wordt toegestaan door de lokale wetgeving, komt deze garantie expliciet in de plaats van alle andere garanties (behalve met betrekking tot eigendom), expliciet of impliciet, en HAYES verwerpt in het bijzonder en zonder beperking de impliciete garanties van verkoopbaarheid of geschiktheid voor een bepaald doeleinde. Indien om enige reden garantiewerkzaamheden nodig zijn, stuurt u het onderdeel terug naar het punt van aankoop of neemt u contact op met uw dealer of uw lokale HAYES-distributeur. In de VS kunt u contact opnemen met HAYES voor een autorisatienummer voor terugzending (RA#) via (888) 686-3472. Op dat moment worden instructies voor reparatie, terugzending of vervanging gegeven. Klanten in landen buiten de VS, moeten contact opnemen met hun dealer of lokale HAYES-distributeur.

Beperking van aansprakelijkheid.

Tenzij dit wordt vereist door verplichte wetgeving, zal HAYES niet aansprakelijk zijn voor enige incidentele, indirecte, speciale of gevolgschade.

Deze garantie geldt niet voor normale slijtage. Slijtageonderdelen zijn onderhevig aan schade door normaal gebruik, gebrek aan service overeenkomstig de aanbevelingen of fietsen onder andere dan de aanbevolen condities. De kosten voor normaal onderhoud of vervanging van service-items, die niet kapot zijn, moeten worden betaald door de oorspronkelijke koper. De volgende lijst bevat slijtageonderdelen die niet worden vervangen onder de garantie:

- | | | |
|-------------------------------|------------------------------------|-----------------------------|
| - Lagerbussen | - Stofafdichtingen | - Dolle of versleten bouten |
| - Schokdemper achter | - Luchtafdichtingen en/of O-ringen | - Externe vergrendelkabel |
| Montagemateriaal | van vork en schokdemper | - Handschoenen |
| - Stuurgrepen | - Lagere | - Onderste stang |
| - Ventielen zonder binnenband | - Bovenste stangbuizen | buizen (Dorado) |

MM

manitou

**MANUAL DO UTILIZADOR SOBRE A FORQUILHA
DE SUSPENSÃO**

FORQUILHAS DE SUSPENSÃO MANITOU

Parabéns! Se está a ler este documento é porque é um proprietário orgulhoso de um dos melhores produtos de suspensão de bicicletas no planeta! Estamos certos de que melhorará a sua experiência de ciclista. A sua nova forquilha Manitou está equipada com tecnologia e pretendemos garantir que tira o maior partido de cada milímetro de curso. Como tal, continue a ler. As presentes páginas contêm informações importantes e úteis.

Obrigado por escolher a Manitou como fornecedor dos seus produtos de suspensão.

Este manual contém informações importantes sobre a segurança, garantia e manutenção do seu produto de suspensão Manitou. Também encontra neste manual instruções sobre a instalação correcta e segura da sua suspensão.

Este manual juntamente com guias de instalação e assistência adicionais para a sua suspensão podem ser transferidos a partir do site Web www.manitoumtb.com.

INFORMAÇÕES IMPORTANTES SOBRE A SEGURANÇA

1. As forquilhas Manitou foram concebidas para um ciclista em trilhos de bicicleta de montanha e condições todo-o-terreno semelhantes. Não se destinam a uma utilização tandem nem aplicações motorizadas.
2. É muito importante que a sua forquilha Manitou seja instalada correctamente na bicicleta. É vivamente recomendado que a instalação a forquilha na sua bicicleta seja efectuada por um mecânico especializado em bicicletas. Uma forquilha incorrectamente instalada é extremamente perigosa e pode provocar lesões graves ou morte.
3. Certifique-se de que os travões estão instalados e devidamente ajustados antes de andar na sua bicicleta. A instalação ou ajuste incorrecto dos travões pode provocar lesões graves ou morte.
4. Deixe de andar na sua bicicleta imediatamente se observar fuga de óleo, peças dobradas/partidas, suspensão excessivamente em cima ou em baixo, ruídos incomuns ou danos visuais na forquilha e contacte a Hayes Components ou um centro de assistência autorizado da Hayes Components para inspecção.
5. Não modifique a forquilha. Qualquer modificação à sua forquilha Manitou anula a garantia e pode provocar lesões graves ou morte.
6. Utilize apenas peças de substituição autorizadas pela Manitou. A utilização de quaisquer peças do mercado pós-venda não autorizadas anula a garantia e pode provocar a falha do amortecedor.

INFORMAÇÕES IMPORTANTES SOBRE A SEGURANÇA

7. Se utilizar um transportador que fixe a bicicleta através das ponteiras da forquilha, tenha cuidado para não inclinar a bicicleta para qualquer dos lados ao montar ou desmontar a mesma. Podem ocorrer danos estruturais nas pernas e nas ponteiras da forquilha. Aperte sempre bem a forquilha com a libertação rápida e certifique-se de que a roda traseira está fixa ao transportador. Se a bicicleta estiver inclinada ou cair do transportador, não ande na mesma até a forquilha ser inspeccionada pela Manitou ou por um centro de assistência autorizado. Uma avaria na perna ou ponteira da forquilha pode resultar na perda de controlo da bicicleta e provocar lesões graves ou morte.
8. As forquilhas Manitou não são fornecidas com reflectores para cumprirem os requisitos CPSC de utilização na estrada. Se a forquilha se destinar a ser utilizada na estrada, o seu revendedor deve instalar reflectores e/ou iluminação para cumprir quaisquer leis federais, estatais ou locais.
9. Verifique sempre as rodas antes de andar de bicicleta e se as varetas de aperto rápido e/ou os eixos transversais estão devidamente ajustados e apertados.

RODAGEM

A nova forquilha foi concebida para ter um período de rodagem durante os seus primeiros percursos (cerca de 20 horas totais de percursos). Antes da rodagem, pode detectar que a forquilha está dura e ligeiramente presa. Após o período de rodagem, a forquilha está muito mais suave e reagirá muito melhor aos impactos em comparação à primeira vez que andou com a sua bicicleta. Após 20 horas, pode pretender voltar a verificar os ajustes (onde aplicável) para ajustar completamente a forquilha.

INSTALAÇÃO DA FORQUILHA – FORQUILHAS DE COROA ÚNICA

Recomendamos vivamente que a sua forquilha seja instalada por um mecânico especializado em bicicletas.

AVISO FORQUILHAS INCORRECTAMENTE INSTALADAS PODEM SER MUITO PERIGOSAS E PODEM PROVOCAR LESÕES GRAVES OU MORTE.

1. Retire a forquilha antiga da sua bicicleta.
2. Meça e corte o tubo da coluna de direcção a encaixar da testa da bicicleta. Antes de efectuar qualquer corte, consulte as instruções do fabricante do avanço e da caixa de direcção para garantir que o comprimento do tubo do guiador é suficiente para fixar o guiador. Certifique-se de que não danifica a parte superior do guiador sob a área de corte.

NOTA: Meça cuidadosamente, tubos do guiador demasiado curtos não são abrangidos pela garantia.

3. Pressione o anel dentado na coluna de direcção da forquilha até o anel estar bem apoiado contra a parte superior da coroa utilizando uma ferramenta de instalação de anéis dentados de acordo com as instruções do fabricante da caixa de direcção.
4. Limpe e lubrifique os rolamentos e os anéis da caixa de direcção de acordo com as instruções do fabricante da caixa de direcção.
5. Instale os rolamentos inferiores (se aplicável) no anel dentado da forquilha de acordo com as instruções do fabricante da caixa de direcção.
6. Insira o tubo da coluna de direcção na testa do quadro.
7. Instale os rolamentos superiores, os espaçadores do avanço e o avanço.
8. Instale a tampa e o parafuso do avanço. Aperte o parafuso de acordo com as especificações do fabricante da caixa de direcção.
9. Instale o guiador e aplique o binário nos parafusos de aperto do avanço ou no sistema de fixação do avanço de acordo com as especificações do fabricante do avanço.
10. Instale os travões e ajuste os mesmos de acordo com as especificações do fabricante do travão.
11. Relativamente às forquilhas equipadas com uma alavanca de bloqueio remoto MILO, instale a alavanca numa posição facilmente alcançável e aplique o binário de acordo com os valores indicados neste manual na Tabela 2.
12. a. Relativamente às forquilhas com ponteira padrão (não através do eixo), o aperto rápido deve ser apertado de acordo com as especificações do fabricante de aperto rápido após estar devidamente apoiado nos furos opostos à ponteira. Consulte o seu manual de proprietário da bicicleta sobre a utilização e ajuste adequados da alavanca de aperto rápido. NOTA: As forquilhas com ponteiras padrão estão equipadas com uma ponteira de retenção secundária para manter a roda na forquilha caso o aperto rápido se solte.
b. Para instalar o eixo sextavado de 20 mm, basta fazer deslizar o eixo em direcção à ponteira, primeiro o lado sextavado do eixo de pequenas dimensões em direcção à secção sextavada da ponteira de grandes dimensões. Rosque o parafuso de ajuste no lado sextavado pequeno e ajuste ligeiramente. Empurre a forquilha para cima e para baixo algumas vezes para centrar o eixo e o cubo. Aperte os parafusos de aperto do lado motor primeiro e, em seguida, o parafuso final e, por fim, os parafusos de aperto laterais do disco. Aperte todos os parafusos de acordo com os valores de binário recomendados encontrados neste manual.
c. Para instalar o eixo QR15, consulte a secção de instalação do QR15 neste manual.
13. Instale o cabo dos travões de acordo com as instruções do fabricante.

**AVISO**

NÃO ENCAMINHAR CORRECTAMENTE NEM FIXAR BEM O CABO DIANTEIRO DOS TRAVÕES PODE PROVOCAR LESÕES GRAVES OU MORTE.

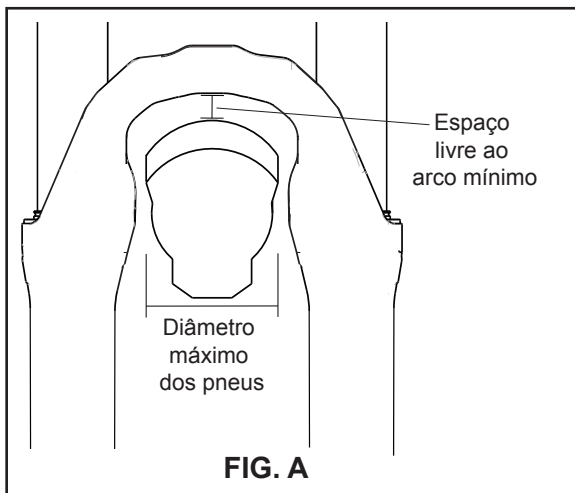
ESPAÇO LIVRE RELATIVAMENTE AO PNEU

Antes de andar na sua bicicleta pela primeira vez e após cada mudança de pneus, verifique o espaço livre correcto relativamente ao pneu. Deve medir a largura e o espaço livre do arco relativamente ao pneu. Abaixo encontra-se um diagrama para o auxiliar na verificação do espaço livre correcto relativamente ao pneu.



AVISO

AINOBSERVÂNCIADASDIRECTRIZESDOESPAÇOLIVRERELATIVAMENTE AO PNEU PODE RESULTAR NO IMPACTO DO PNEU CONTRA A COROA, O QUE PODE PROVOCAR DANOS GRAVES OU MORTE.



Consulte a tabela abaixo para obter as dimensões específicas para o modelo da sua forquilha.

TABELA 1 - ESPAÇO LIVRE RELATIVAMENTE AO PNEU

	ARCO MÍNIMO ESPAÇO LIVRE	MÁXIMO LARGURA DO PNEU
MODELO DA FORQUILHA	(CONSULTE A FIGURA A)	
R7 PRO, R7 MRD, M30	10 mm	60 mm
CIRCUS SPORT, EXPERT, COMP FORQUILHAS MINUTE/MARVEL 26 POL.. FORQUILHAS MATCH 26 POL.	9,5 mm	63 mm
FORQUILHAS MINUTE 29 POL. FORQUILHAS MARVEL 29 POL. FORQUILHAS MATCH 29 POL.	12,0 mm	63 mm
FORQUILHAS MINUTE 27,5 POL. FORQUILHAS MARVEL 27,5 POL.	12,0 mm	65 mm
MATTOC 26	15,5 mm	63 mm
MATTOC 27,5	6 mm	63 mm

TABELA 1 - ESPAÇO LIVRE RELATIVAMENTE AO PNEU

	ARCO MÍNIMO ESPAÇO LIVRE	MÁXIMO LARGURA DO PNEU
MODELO DA FORQUILHA	(CONSULTE A FIGURA A)	
MAGNUM	15mm	87mm
MACHETE 27,5+ (27.5+ pneu)	17mm	87mm
MACHETE 27,5+ (29 pneu)	10mm	58mm
MACHETE 29+	6mm	87mm

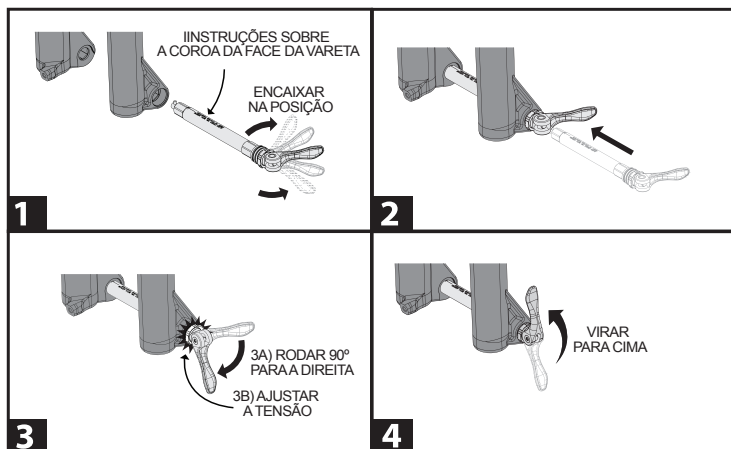
INSTRUÇÕES DE INSTALAÇÃO DE QR15

1. Coloque a alavanca na posição aberta. Verá uma seta aberta na lateral da alavanca. Alinhe a cavilha cruzada com a seta no eixo. Quando a sentir encaixar, está na posição correcta.
2. Coloque a roda na forquilha. Insira o eixo na ponteira do lado de tracção da forquilha. Ao inserir o eixo, certifique-se de que a inscrição ou seta no eixo está virada para cima e que a cavilha cruzada está na vertical. A alavanca do eixo está a apontar em direcção à parte frontal da forquilha. Insira o eixo através da secção fundida e do cubo até parar (o anel de vedação do tensor deve estar no interior do furo oposto à secção fundida).
3. Rode a alavanca 90 graus para a direita até sentir encaixar.
4. Coloque a alavanca na posição fechada, bloqueando o eixo. Se sentir que é necessária demasiada força para fechar a alavanca, ajuste a tensão com indicador de ajuste. Ajuste ao rodar o indicador de ajuste para a direita para reduzir a tensão. A rotação para a esquerda aumenta a tensão se o eixo estiver demasiado solto ao fechar a alavanca.

**AVISO**

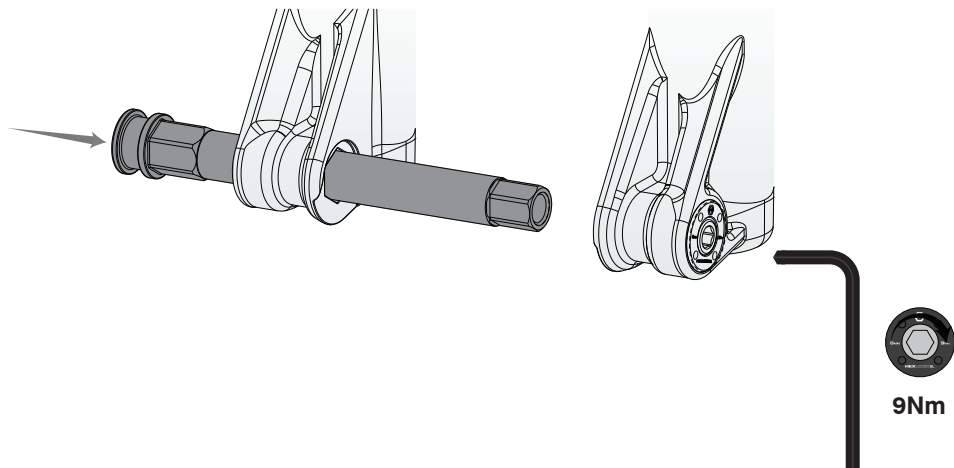
UMEIXO COM TENSÃO INCORRECTA, UMA ALAVANCA NÃO ENGATADA POR COMPLETO OU UMA ALAVANCA NUMA POSIÇÃO QUE NÃO A POSIÇÃO ASCENDENTE FECHADA PODE RESULTAR NA LIBERTAÇÃO DO EIXO, POSSIVELMENTE PROVOCANDO LESÕES GRAVES OU MORTE.

INSTRUÇÕES DE INSTALAÇÃO DE QR15



HEXLOCK SL - INSTALAÇÃO DO EIXO

1. INSTALE O EIXO DO HEXLOCK SL A UM BINÁRIO DE 9 N-M/80 LBS-POL.



MANUTENÇÃO

A sua forquilha requer manutenção periódica, limpeza e inspeção. Os valores binários de parafusos ou fechos devem ser verificados periodicamente, mais frequentemente se utilizados em condições extremas. Para manter um ótimo desempenho, recomenda-se que a forquilha seja desmontada, limpa, seca e relubrificada periodicamente. Após cada viagem limpe as pernas interiores e a zona da junta para expandir a vida da mesma. **Recomendamos vivamente que a assistência à sua forquilha seja feita por um mecânico de bicicletas qualificado. Pode descarregar instruções de assistência e afinação pela internet em www.manitoumtb.com.**

INTERVALOS DE ASSISTÊNCIA SUGERIDOS PARA TODAS AS FORQUILHAS DE SUSPENSÃO MANITOU

CONDIÇÕES NORMAIS

Viagens curtas e esporádicas

Desmonte a forquilha de acordo com o Manual de Assistência. Limpe o eixo e substitua o óleo parcialmente revestido a cada 6 meses. Faça a revisão dos sistemas de amortecimento ao trocar o óleo do amortecedor todos os anos. Lubrifique o conjunto das molas conforme necessário. Em modelos de forquilha pneumática, verifique o nível do óleo assente na parte superior do pistão pneumático a cada 2 meses conforme as instruções que se podem encontrar em www.manitoumtb.com.

Viagens longas e frequentes

Desmonte a forquilha de acordo com o Manual de Assistência. Limpe o eixo e substitua o óleo parcialmente revestido a cada 4 meses. Faça a revisão dos sistemas de amortecimento ao trocar o óleo do amortecedor todos os anos. Lubrifique o conjunto das molas conforme necessário. Em modelos de forquilha pneumática, verifique o nível do óleo assente na parte superior do pistão pneumático a cada 6 semanas conforme as instruções que se podem encontrar em www.manitoumtb.com.

CONDIÇÕES EXTREMAS

Viagens curtas e esporádicas

Desmonte a forquilha de acordo com o Manual de Assistência. Limpe o eixo e substitua o óleo parcialmente revestido a cada 4 meses. Faça a revisão dos sistemas de amortecimento ao trocar o óleo do amortecedor todos os anos. Lubrifique o conjunto das molas conforme necessário. Em modelos de forquilha pneumática, verifique o nível do óleo assente na parte superior do pistão pneumático a cada 6 semanas conforme as instruções que se podem encontrar em www.manitoumtb.com.

Viagens longas e frequentes

Desmonte a forquilha de acordo com o Manual de Assistência. Limpe o eixo e substitua o óleo parcialmente revestido a cada 3 meses. Faça a revisão dos sistemas de amortecimento ao trocar o óleo do amortecedor todos os anos. Lubrifique o conjunto das molas conforme necessário. Em modelos de forquilha pneumática, verifique o nível do óleo assente na parte superior do pistão pneumático a cada 4 semanas conforme as instruções que se podem encontrar em www.manitoumtb.com.

TABELA 2 - ESPECIFICAÇÕES DO BINÁRIO RECOMENDADAS

ITEM	ESPECIFICAÇÕES DO BINÁRIO - Nm (pol.-lbs)
PARAFUSOS DO EIXO SEXTAVADO	3,4 - 4,5 Nm (30 - 40 pol.-lb)
APERTO REMOTO DO GUIADOR	0,45 - 0,68 Nm (4 - 6 pol.-lb)
PARAFUSO DE FIXAÇÃO DO CABO DA ALAVANCA REMOTO	0,34 - 0,56 Nm (3 - 5 pol.-lb)

Garantia Limitada:

A HAYES dá uma garantia aos seus produtos que cobre defeitos nos materiais, mão-de-obra sob uso normal durante um período de um ano (dois anos nos países da União Europeia) desde a data de compra, sujeitos ao desgaste habitual. A não ser que proibido pela lei, tais produtos com defeito serão reparados e substituídos à escolha da HAYES quando recebidos com comprovativo da compra, com fretes pré-pagos. Esta garantia não cobre quebras, dobras ou danos que resultem de colisões ou quedas. Esta garantia não cobre qualquer defeito ou dano causado por alterações ou modificações dos produtos da HAYES ou pelo desgaste habitual, acidentes, manutenção imprópria, danos causados pelo uso dos produtos da HAYES com partes de fabricantes diferentes, uso impróprio ou abuso do produto, aplicação ou usos diferentes daqueles estabelecidos no manual de instruções da HAYES ou falha do cumprimento das instruções contidas no manual de instruções aplicável da HAYES. Os manuais de instruções podem ser encontrados online em www.hayescomponents.com. Quaisquer modificações feitas pelo COMPRADOR ou qualquer utilizador subsequente irão conduzir à extinção da garantia. Esta garantia não se aplica quando o número de série ou código de produção tiver sido deliberadamente alterado, deformado ou removido do produto. O custo da manutenção normal ou substituição de itens de assistência, que não tenham defeito, são da responsabilidade de COMPRADOR. Caso permitido pela lei local, esta garantia substitui expressamente quaisquer outras garantias (excepto por direito), explícitas ou implícitas, e particularmente e sem qualquer limitação a HAYES nega as garantias implícitas de comercialização ou adequação à finalidade. Se por qualquer razão for necessário trabalho no âmbito da garantia, devolva o componente ao local de compra ou contacte o seu comerciante ou distribuidor local da HAYES. Nos EUA, contacte a HAYES para uma autorização de devolução através do número (RA#) (888) 686-3472. Nesse momento, instruções para reparação, devolução ou substituição irão ser dadas. Os clientes noutros países que não os EUA devem contactar o seu comerciante ou distribuidor local da HAYES.

Limitação de Responsabilidade.

A não ser que seja requerido por lei obrigatória, a HAYES não será responsável por quaisquer danos acidentais, indirectos, especiais ou consequenciais.

Esta garantia não se aplica ao desgaste habitual. As partes de desgaste estão sujeitas aos danos causados pelo uso normal, falha ao prestar assistência de acordo com as recomendações ou por andar em condições diferentes das recomendadas. O custo da manutenção normal ou substituição dos itens de assistência, que não tiverem defeito, deverão ser pagos pelo comprador original. Segue-se uma lista das peças de desgaste que não serão substituídas ao abrigo da garantia:

- | | | |
|-------------------------|---------------------------------------|----------------------------|
| - Casquilhos | - Vedantes de pó | - Parafusos decapados |
| - Amortecedor traseiro | - Anéis de vedação e/ou vedantes | ou gastos |
| Equipamento | pneumáticos do amortecedor | - Cabo de bloqueio remoto |
| de montagem | e da forquilha | - Luvas |
| - Punhos do guiador | - Rolamentos | - Tubos da coluna de |
| - Câmara-de-ar Tubeless | - Tubos da coluna de suporte superior | suporte inferior (dourado) |

MM **manitou**

サスペンションフォーク
ユーザーマニュアル

MANITOU サスペンションフォーク

おめでとうございます！今日からあなたも世界最高品質の自転車用サスペンションのオーナーです！Manitou サスペンションフォークは自転車の乗車体験をより快適にします。テクノロジーが凝縮されたこの新しいManitou サスペンションフォークで、1ミリ単位で改善された走行をご実感ください。本マニュアルを最後までお読みください。すべてのページには重要な役立つたくさんの情報が記載されています。

Manitou サスペンションフォークをお選びいただきありがとうございます。

本マニュアルには、Manitou 指すペンション製品の重要な安全、保証、およびメンテナンスに関する情報が記載されています。Manitou サスペンション製品の正しく安全な取り付け方法についての説明もあります。

本マニュアルおよびサスペンションの組立方法やサービスについてのガイドは当社ウェブサイト (www.manitoumtb.com) からダウンロードいただけます。

安全取扱上の重要事項

1. Manitou 製フォークは、マウンテンバイクトレイルや同様のオフロード条件の道路での一人乗り自転車用に設計されています。本製品は二人乗り自転車や原動機付き自転車用には設計されていません。
2. Manitou サスペンションフォークを自転車に正しく取り付けることは非常に重要です。有資格者の自転車整備士に自転車へのフォークの取り付けをご依頼されることを強くお勧めします。不適切に取り付けられたフォークは非常に危険で、重度の怪我や死亡事故につながる恐れがあります。
3. 自転車に乗る前に、ブレーキが設置済みで適切に調整されていることを確認してください。不適切にブレーキを取り付けたり調整したりすると重度の怪我や死亡に至ることがあります。
4. オイル漏れ、部品の湾曲または破損、上下方向への過度の突出、フォークから発生する異音または視覚的に確認できる破損があった場合、ただちにフォークの使用を中止し、Hayes Components または同社の認定サービスセンターに連絡して点検を受けてください。
5. フォークを改造しないでください。Manitou 製フォークを改造した場合、保証の対象外となり、重度の怪我や死亡に至ることがあります。
6. 承認された Manitou 製の交換部品のみを使用してください。承認外の補修部品を使用した場合、保証の対象外となり、衝撃による破損が発生する原因になります。

安全取扱上の重要事項

7. フォークドロップアウトで自転車を支えるキャリアを使用する場合は、キャリアを取り付けまたは取り外しするときに自転車を傾けないように注意してください。フォークドロップアウトや支柱の構造に破損が生じる原因になります。常にフォークをクイックリリースにしっかりと締め付け、リアホイールがキャリアにしっかりと固定されていることを確認してください。自転車が傾いたりキャリアから脱落したりする場合は、Manitou または認定サービスセンターがフォークの点検を行うまで自転車で乗らないでください。フォークの脚またはドロップアウトに損傷があると、自転車のコントロールが取れなくなったり、重度の怪我や死亡につながる事故が発生したりする危険があります。

8. Manitou 製フォークには、路上での使用に適した CPSC の要件を満たす反射器は付いていません。路上でフォークを使用する場合は、国および地方自治体の法令に即した反射器および（または）照明を取り付ける必要があります。

9. 自転車の乗車前には常にホイールを点検し、クイックリリーススキャアーおよび（または）スルーアクスルが適切に調整および固定されていることを確認してください。

ならし運転

新品のフォークは最初の数回の乗車中にならし運転するように設計されています（乗車時間約 20 時間）。ならし運転の前には、フォークは締まってややひっかかりがある状態になっています。ならし運転の期間が過ぎるとフォークはずっと滑らかな感触になり、最初の乗車時に比べてでこぼこ道での走行時の反応が鮮明になります。20 時間乗車した後、必要に応じてフォークの各部を再点検して、全体を微調整してください。

フォークの取り付け - シングルクラウンフォーク

有資格者の自転車整備士に自転車へのフォークの取り付けをご依頼されることを強くお勧めします。




警告

不適切に取り付けられたフォークは非常に危険で、重度の怪我や死亡事故につながる恐れがあります。

1. 古いフォークを自転車から取り外します。
2. 自転車のヘッドチューブに合うように、ステアラーチューブ（操縦管）の長さを測定して切断します。ステアラーチューブを切断する前に、ステムとヘッドセットのメーカーの説明を参照して、操縦管を固定するためにステアラーチューブの長さを十分に取ってください。切断部分の下側でステアラーチューブが破損することのないように長さを調整してください。

注：ステアラーチューブの長さを測定する際には十分に注意してください。ステアラーチューブを短く切断し過ぎた場合、保証は適用されません。

3. ヘッドセットメーカーの説明にしたがって、クラウンレース取付工具を使用してクラウンレースがクラウン上部にしっかりと収まるまでクラウンレースをフォークの操縦管に押し込みます。
4. ヘッドセットメーカーの説明にしたがって、ヘッドセットベアリングとレースをクリーニングし、グリースを塗布します。
5. 該当する場合は、ヘッドセットメーカーの説明にしたがって、下ベアリングをフォーククラウンに取り付けます。
6. ステアラーチューブ（操縦管）をフレームのヘッドチューブ（頭管）に挿入します。
7. 上ベアリング、ステムスペーサー、ステムを取り付けます。
8. ステムスキャップとボルトを取り付けます。ヘッドセットメーカーの説明にしたがって、ボルトを締めます。
9. ステムメーカーの説明にしたがって、ステムピンチスクリューまたはステムクランピングシステムにトルクをかけます。
10. ブレーキメーカーの説明にしたがって、ブレーキを取り付け、調整します。
11. MILO（ミロ）リモートロックアウトレバーが付いたフォークには、容易にアクセスできる位置にレバーを取り付け、本マニュアルの表 2 の値にトルクを調整します。
12.
 - a. スルーアクスル（貫通軸）の付いていない標準的なドロップアウトが装備されたフォークでは、クイックリリースをドロップアウトのカウンターボアに正しく設置した後に、クリックリリースメーカーの仕様にしたがって、クリックリリースを締めて固定する必要があります。クイックリリースレバーの適切な使用方法と調整について、ご使用の自転車の取扱説明書を参照してください。注：標準的なドロップアウトが装備されたフォークには、クリックリリースが緩んだ場合にホイールをフォークに保持する働きを持つセカンダリキャッチドロップアウトが装備されています。
 - b. 20mm のヘックスアクスルを取り付けるには、アクスルの小さい側の六角をドロップアウトの大きい六角に滑り込ませます。小さい側の六角にセットボルトを挿入し、軽く締めます。フォークを 2 ～ 3 回上下に押して、アクスルとハブを中央の位置に合わせます。最初に駆動側のピンチボルト、次にエンドボルト、最後にディスク側のピンチボルトの順で締めます。すべてのボルトを本マニュアル記載の推奨トルク値を参考にして締めます。
 - c. QR15 アクスルを取り付けるには、本マニュアルの QR15 の取り付けに関するセクションを参照してください。
13. ブレーキメーカーの説明にしたがって、ブレーキケーブルを取り付けます。

 **警告** 前部のブレーキケーブルをフォークまで適切に送って安全に固定しないと、重度の怪我や死亡につながる恐れがあります。

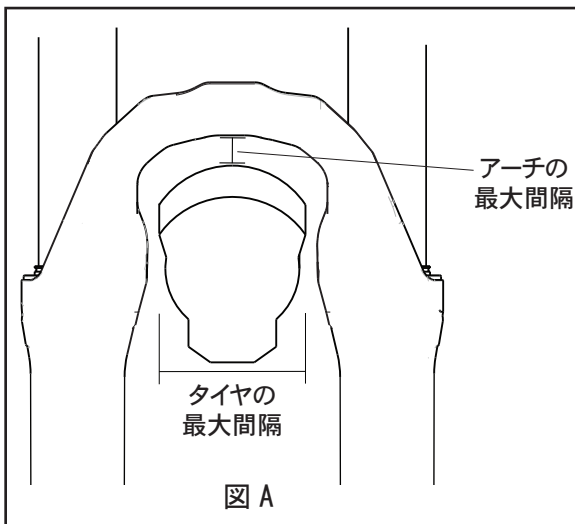
タイヤの間隔

自転車に初めて乗る前およびタイヤを交換した後は、タイヤの間隔が適切であることを必ず確認してください。タイヤの幅とアーチの間隔を測定します。適切なタイヤの間隔を下図に示します。



警告

タイヤの間隔が正しくないと、タイヤがクラウンにぶつかり、重度の怪我や死亡につながる恐れがあります。



各フォームモデルの寸法は下表を参照してください。

表 1 - タイヤの間隔

	アーチの最短 間隔	タイヤの 最大幅
フォームモデル	(図 A 参照)	
R7 PRO、R7 MRD、M30	10mm	60mm
CIRCUS SPORT、EXPERT、COMP MINUTE/MARVEL 26” フォーク MATCH 26” フォーク	9.5mm	63mm
MINUTE 29” フォーク MARVEL 29” フォーク MATCH 29” フォーク	12.0mm	63mm
MINUTE 27.5” フォーク MARVEL 27.5” フォーク	12.0mm	65mm
MATTOC 26	15.5mm	63mm
MATTOC 27.5	6mm	63mm

表 1 - タイヤの間隔

	アーチの最短 間隔	タイヤの 最大幅
フォームモデル	(図 A 参照)	
MAGNUM	15mm	87mm
MACHETE 27.5+ (27.5+ タイヤ)	17mm	87mm
MACHETE 27.5+ (29 タイヤ)	10mm	58mm
MACHETE 29+	6mm	87mm

QR15 の取り付け手順

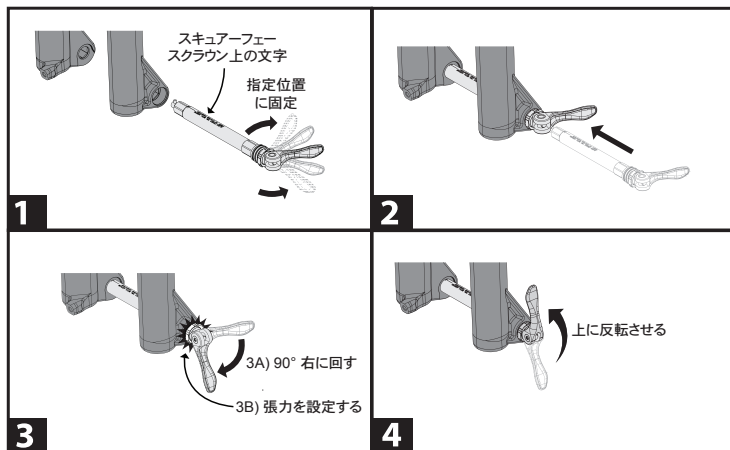
1. レバーを開の位置に反転させます。レバー側面に開状態を示す矢印があります。アクスルの矢印にクロスピンを揃えます。クロスピンが正しい位置に合うとカチッという感触があります。
2. ホイールをフォークに配置します。フォークの駆動側のドロップアウトにアクスルを挿入します。アクスル挿入時に、アクスル上の文字または矢印を上側に向け、クロスピンが垂直になるようにします。アクスルのレバーはフォーク前部の方を向きます。キャストリングとハブにアクスルを停止位置になるまで挿入します（テンションダイヤルの近くにある0リングがキャストリングのカウンターボアの内部にくる必要があります）。
3. カチッという感触があるまで、レバーを 90° 右に回します。
4. レバーを閉の位置に反転させてアクスルをロックします。レバーを閉じる際に非常に強い力が必要とされる場合は、アジャスターダイヤルで張力を調整します。アジャスターダイヤルを右に回して、張力を下げて調整します。レバーを閉じるときにアクスルが緩過ぎる場合はアジャスターダイヤルを左に回して張力を上げます。



警告

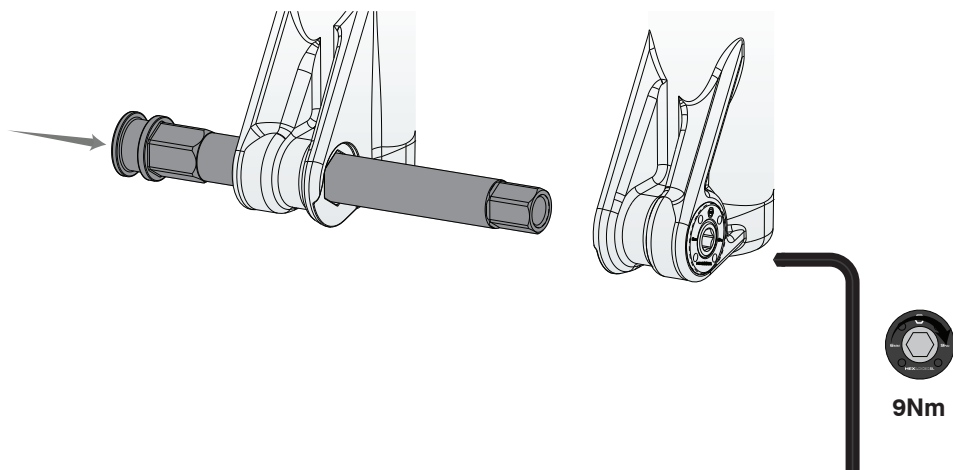
アクスルの張力が不適切だったり、レバーが完全に固定されていなかったり、レバーが上向きの閉位置になっていなかったりすると、アクスルが外れ、重度の怪我や死亡につながる恐れがあります。

QR15 の取り付け手順



HEXLOCK SL - アクスルの取り付け

1. HexLock SL アクスルを9ナノメートル (80 ポンド/インチ) のトルクを使って取り付けます。



メンテナンス

フォークは定期的なメンテナンス、クリーニング、点検が必要です。ボルトと留め具のトルク値は定期的にチェックしてください。特に過酷な条件で乗車される場合は頻繁なチェックが必要です。最高のパフォーマンスを維持するために、フォークを定期的に分解、クリーニング、乾燥、潤滑することをお勧めします。乗車後には毎回、内部の脚とシール周辺の汚れを拭き取るとシールが長持ちします。有資格者の自転車整備士にフォークのメンテナンスをご依頼されることを強くお勧めします。メンテナンスおよびチューニング方法に関する手順は当社ウェブサイト (www.manitoumtb.com) からダウンロードいただけます。

MANITOU サスペンションフォーク全モデルの 推奨メンテナンス期間

通常の乗車条件

短期の単発的な乗車

メンテナンスマニュアルにしたがってフォークを分解します。6 か月毎にキャスティング全体をクリーニングし、Semi Bath オイルを交換します。1 年に 1 回ダンパーオイルを交換してダンピングシステムをメンテナンスします。必要に応じてスプリングスタックを潤滑油を塗布します。エアフォークモデルでは、www.manitoumtb.com にある手順にしたがって、2 か月毎にオイルレベルがエアピストン上部より高い位置にある k とをチェックします。

長期の頻繁な乗車

メンテナンスマニュアルにしたがってフォークを分解します。4 か月毎にキャスティング全体をクリーニングし、Semi Bath オイルを交換します。1 年に 1 回ダンパーオイルを交換してダンピングシステムをメンテナンスします。必要に応じてスプリングスタックを潤滑油を塗布します。エアフォークモデルでは、www.manitoumtb.com にある手順にしたがって、6 週間毎にオイルレベルがエアピストン上部より高い位置にある k とをチェックします。

過酷な乗車条件

短期の単発的な乗車

メンテナンスマニュアルにしたがってフォークを分解します。4 か月毎にキャスティング全体をクリーニングし、Semi Bath オイルを交換します。1 年に 1 回ダンパーオイルを交換してダンピングシステムをメンテナンスします。必要に応じてスプリングスタックを潤滑油を塗布します。エアフォークモデルでは、www.manitoumtb.com にある手順にしたがって、6 週間毎にオイルレベルがエアピストン上部より高い位置にある k とをチェックします。

長期の頻繁な乗車

メンテナンスマニュアルにしたがってフォークを分解します。3 か月毎にキャスティング全体をクリーニングし、Semi Bath オイルを交換します。1 年に 1 回ダンパーオイルを交換してダンピングシステムをメンテナンスします。必要に応じてスプリングスタックを潤滑油を塗布します。エアフォークモデルでは、www.manitoumtb.com にある手順にしたがって、4 週間毎にオイルレベルがエアピストン上部より高い位置にある k とをチェックします。

表 2 - 推奨トルク値

項目	トルク値 - Nm (in-lbs)
ヘックスアクスルボルト	3,4 - 4,5 Nm (30 - 40 in-lb)
リモートハンドルパークランプ	0,45 - 0,68 Nm (4 - 6 in-lb)
リモートレバーケーブルクランプスクリュー	0,34 - 0,56 Nm (3 - 5 in-lb)

限定保証

HAYES は、購入日より 1 年間（EU 諸国は 2 年間）にわたり、通常の摩耗および亀裂を対象として、意図された通常の使用における製品の素材および製造工程上の欠陥がないことを保証します。法律で禁止されていない限り、送料前払いで購入証明書同封で上記の欠陥があった製品を受領した場合、HAYES は独自の判断でかかる製品を修理または交換します。本保証は、衝突や落下に起因する破損、湾曲、または故障には適用されません。HAYES 製品に対する改造または改変あるいは通常の摩耗を原因とする欠陥または損傷、事故、メンテナンス上の不備、他社製部品を HAYES 製品に使用したことによる故障、製品の不適切な使用または乱用、HAYES 製品マニュアルに記載されている方法以外の方法による利用または使用があった場合、もしくは、該当する HAYES 製品マニュアルに記載されている指示事項にしたがわなかった場合、本保証はいかなる場合も適用されません。製品マニュアルはオンライン (www.hayescomponents.com) からダウンロードいただけます。お客様または後続のユーザーによる製品の改変があった場合、本保証は適用されません。製品に明記されている製品番号または製品コードを意図的に改変、破損、または削除した場合、本保証は適用されません。通常のメンテナンスまたは正常部品の交換にかかる費用はお客様の負担となります。現地法で認可される場合、本保証はあらゆる他の保証（権原を除き、明示的または黙示的であるかを問わない）に明示的に代わるものであり、特に、HAYES は商用性または特定の目的における適合性に関する黙示的保証を無制限に否認するものとします。理由のいかなを問わず、保証上の手続きが必要とされる場合、対象となる部品をお買い求めの販売店に返品いただくか、もしくは現地代理店または現地 HAYES 代理店までご連絡ください。米国内のお客様は、HAYES 電話番号 (888) 686-3472 までお問い合わせのうえ、返品承認番号 (RA#) をご照会ください。その際、修理、返品、または交換の方法をご説明いたします。米国以外のお客様は、現地代理店または HAYES 代理店までお問い合わせください。

責任の限定

強制法規で要求される場合を除き、HAYES は、偶発的、間接的、特定の、または保証外の通常の使用による摩耗や亀裂には適用されません。摩耗部品および亀裂部品は、通常の使用による損傷、推奨事項に基づくメンテナンスの不備、または推奨外の条件における乗車を対象とします。通常のメンテナンスまたは正常部品の交換にかかる費用はお客様の負担となります。以下は、保証適用外となる摩耗部品と亀裂部品の一覧です。

- | | | |
|--------------|------------------|---------------------------|
| - ブッシング | - ダストシール | - 剥離または摩耗したボルト |
| - リアショック | - フォーク & ショックエア | - リモートロックアウトケープ |
| を搭載したハードウェア | シールおよび（または）オリング | ブル |
| - ハンドルバーグリップ | - ベアリング | - グローブ |
| プ | - アッパースタンションチューブ | - アンダースタンションチューブ (Dorado) |
| - チューブレスバルブ | プ | |

MM
manitou

悬架用户手册

曼尼通悬架

祝贺您！在您阅读本手册时，您已经拥有全球最佳的自行车悬架产品，成为令人羡慕的群体中的一员。我们可以保证，它能改善您的骑车体验。您的全新曼尼通悬架采用先进的技术，能让您尽享每一段旅程。请继续往下读。本手册载有非常重要和有用的信息。

感谢您选择曼尼通悬架。

本手册载有关于您的曼尼通悬架产品的重要安全、保修和维护信息。有关正确和安全安装悬架的指南也载于本手册。

本手册以及可为您的悬架提供的额外安装和服务指南可从 www.manitoumtb.com 网站下载。

重要的安全信息

1. 曼尼通悬架专为在山地自行车道以及类似野外条件下骑车的单骑人士设计。它们不得用于连接用途或机动应用。
2. 必须确保您的曼尼通悬架正确安装在自行车上，这点非常重要。强烈建议您请合资格的自行车技师将该悬架安装到您的自行车上。不当安装悬架非常危险，可能会造成人员重伤或死亡。
3. 在骑乘前，确保已安装并正确调整刹车。不当安装和调整刹车可能会造成人员重伤或死亡。
4. 如果发现漏油、部件弯曲 / 破损、过度突出或下陷、发出异常噪音或悬架出现可见损坏，请立即停止骑车，联系 Hayes Components 或获授权的 Hayes Components 服务中心进行检查。
5. 切勿以任何方式改造悬架。擅自对曼尼通悬架进行改造会导致保修失效，并可能会造成人员重伤或死亡。
6. 仅适用获授权的曼尼通替换件。使用任何未获授权的配件会导致保修失效，并可能会造成减震装置失灵。

重要的安全信息

7. 如果使用托架通过悬架后又端固定自行车，在安装及拆卸时切勿将自行车倾斜至任一侧。否则会造成悬架后又端或支腿的结构损坏。务必将快速释放装置牢固安装到悬架，并确保后轮固定到托架。若自行车倾斜或从托架上掉落，在经曼尼通或授权服务中心检查前切勿再次骑乘。悬架支腿或后又端失灵会导致自行车失控，造成人员重伤或死亡。
8. 曼尼通悬架并未随附倒后镜，因此不符合在普通公路使用的 CPSC 要求。若悬架将要在普通公路上使用，您的经销商应安装相关倒后镜及 / 或照明装置，以符合任何联邦、州或当地法律规定。
9. 始终在骑乘前检查车轮。检查快速释放叉及 / 或通轴是否正确安装及紧固。

磨合

您的新悬架需要骑乘几次以进行磨合（总骑乘时间：约 20 小时）在磨合前，您可能会觉得您的悬架有点紧，不顺畅。随着磨合进行，您会发现，与您刚安装时相比，您的悬架逐渐变得顺畅，并能更好地对震动作出反应。在 20 小时后，您可以对调整情况重新检查（若适用），以便对悬架进行充分的微调。

悬架安装——单肩盖悬架

我们强烈建议您请合格的自行车技师安装悬架。



警告

不当安装悬架非常危险，可能会造成人员重伤或死亡。

1. 将旧悬架从自行车上拆下。
2. 测量并切割操纵管，以匹配您的自行车头管。在进行任何切割前，请查阅立管及车头碗组制造商的指示说明，确保拥有足够长度的操纵管，以夹紧操纵杆。切勿以任何方式损坏切割区域下的操纵管。

注意：务必仔细测量，操纵管切割过短不在保修范围内。

3. 使用肩盖座圈安装工具，按照车头碗组制造商的指示，将肩盖座圈按在悬架操纵器上，直至座圈紧贴肩盖顶部安装到位。
4. 按照车头碗组制造商的指示，清洁及润滑车头碗组轴承和座圈。
5. 按照车头碗组制造商的指示，在悬架座圈上安装下轴承（若适用）。
6. 将操纵管插入车架的头管中。
7. 安装上轴承、立管定位件及立管。
8. 安装立管盖及螺栓。按照车头碗组制造商的参数规格紧固螺栓。
9. 安装把手，并按照立管制造商的参数规格将立管夹紧螺钉或立管夹紧系统旋紧至立管。
10. 按照刹车制造商的指示安装并调整刹车。
11. 对于配备 MILO 远端锁定杆的悬架，将锁定杆安装在易于操作的位置，并按照本手册表 2 所列的参数值旋紧。
12. a. 对于配备标准后又端（非通轴）的悬架，在快速释放装置正确装入后又端埋头孔后，必须按照快速释放装置制造商的参数规格紧固快速释放装置。有关快速释放操纵杆的正确使用和调整，请参阅自行车车主手册。注意：带有标准后又端的悬架还配备辅助轮挡后又端，以便在快速释放装置松脱时将车轮固定在悬架中。
b. 若要安装 20mm 六角轴，只须将轴滑入后又端，使轴较小的六角端先进入后又端较大的六角端即可。将固定螺栓旋入销六角端，并稍为拧紧。将悬架上下推动几次，以将轴和轮毂定心。首先紧固驱动侧的夹紧螺栓，然后是末端螺栓，最后紧固盘侧夹紧螺栓。按照本手册所载的建议扭矩值紧固所有螺栓。
c. 若要安装 QR15 轴，请参阅本手册的 QR15 安装部分。
13. 按照制造商的指示安装刹车导线。



警告

如果不能正确安排前刹车导线的路线并将其与悬架正确及牢固连接，可能会造成人员重伤或死亡。

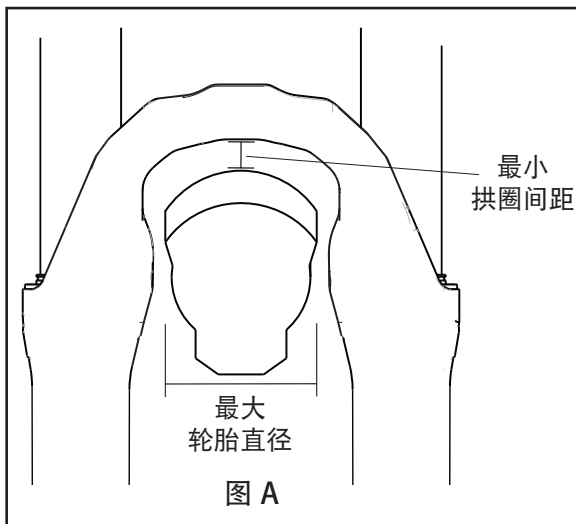
轮胎间距

在首次骑乘前及作出任何改动后，务必检查轮胎间距是否适当。必须测量轮胎的宽度和拱圈间距。下图有助于您检查轮胎间距是否适当。



警告

如果不遵守轮胎间距指引，可能会导致轮胎撞击肩盖，从而造成人员重伤或死亡。



有关您的悬架型号特定的尺寸，请参考下图。

表 1 —— 轮胎间距

	最小拱圈间距	最大轮胎宽度
悬架型号	(见图 A)	
R7 PRO, R7 MRD, M30	10mm	60mm
极限运动、专家、竞赛 MINUTE/MARVEL 26" 悬架 MATCH 26" 悬架	9.5mm	63mm
MINUTE 29" 悬架 MARVEL 29" 悬架 MATCH 29" 悬架	12.0mm	63mm
MINUTE 27.5" 悬架 MARVEL 27.5" 悬架	12.0mm	65mm
MATTOC 26	15.5mm	63mm
MATTOC 27.5	6mm	63mm

表 1 —— 轮胎间距

	最小拱圈 间距	最大 轮胎宽度
悬架型号	(见图 A)	
MAGNUM	15mm	87mm
MACHETE 27.5"+ (27.5+ 胎)	17mm	87mm
MACHETE 27.5"+ (29" 胎)	10mm	58mm
MACHETE 29"+	6mm	87mm

QR15 安装指南

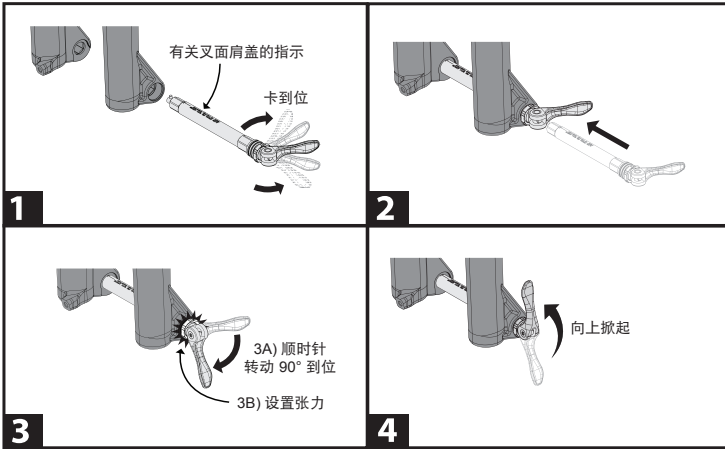
1. 将操纵杆滑入开口位置。您会看到操纵杆的一侧标有空心箭头。将插销与轴上的箭头对齐。当它到达正确位置后，您会感到它卡入到位。
2. 将车轮装入悬架。将轴插入悬架的驱动侧后又端。插入轴时，确保轴上的文字或箭头朝上，插销保持垂直。轴杆将指向悬架前端。将轴插入通过铸体及轮毂，直至停止（张力刻度盘的 O 形环应位于铸体埋头孔内）。
3. 旋转轴杆 90 度，直至您感到它卡到位。
4. 向上掀起轴杆至封闭位置，以锁紧轴。如果感到需要很大的力度才能封闭轴杆，通过调整器刻度盘调整张力。顺时针转动调整器刻度盘即可减少张力。如果感到封闭轴杆时轴过于松动，可逆时针旋转刻度盘增加张力。



警告

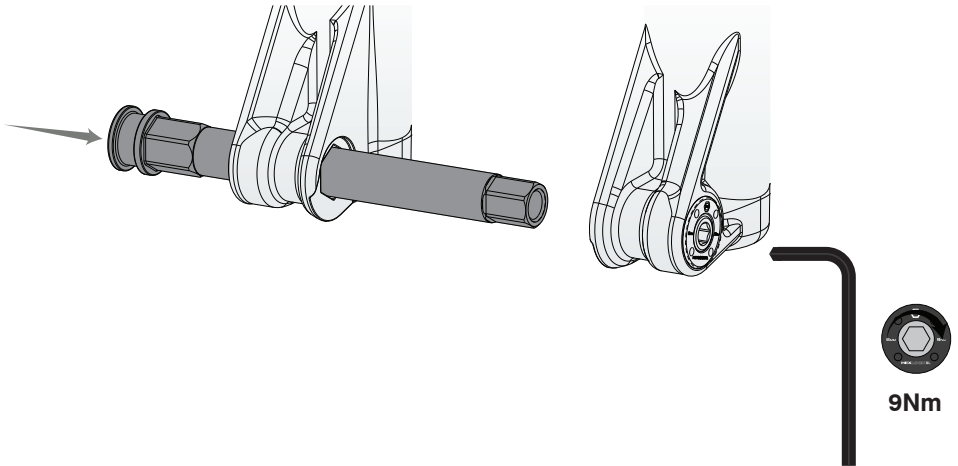
若轴不能正确拉紧，轴杆未完全接合或轴杆位于上封闭位置以外的其他位置，可能会导致轴脱开，从而造成人员重伤或死亡。

QR15 安装指南



HEXLOCK SL - 安装车轴

1. 安装 HEXLOCK SL 车轴，扭矩为 9 N-M / 80 LB-IN



维护

您的悬架需要定期维护、清洁及检查。螺栓及紧固件的扭矩值必须定期检查，在极端条件下骑乘时应更频繁检查。为确保出色的性能，建议定期对悬架进行拆卸、清洁、干燥及重新润滑。在每次骑乘完毕后，对内支腿及座位区进行擦拭，以延长其使用寿命。我们强烈建议由合格的自行车技师对您的悬架进行维护。您可以从 www.manitoumtb.com 网站下载维护及调整指南。

建议的维护时间间隔：

所有曼尼通悬架

正常条件

短时、运动型骑乘

按照维护手册指示拆卸悬架。每 6 个月清洁铸体及更换前叉油。每年更换减震器机油，对减震系统进行维护。根据需要润滑弹簧组。对于气动悬架型号，每 2 个月按照载于 www.manitoumtb.com 的指示检查空气活塞上方的油位。

长时、频繁骑乘

按照维护手册指示拆卸悬架。每 4 个月清洁铸体及更换前叉油。每年更换减震器机油，对减震系统进行维护。根据需要润滑弹簧组。对于气动悬架型号，每 6 周按照载于 www.manitoumtb.com 的指示检查空气活塞上方的油位。

维护条件

短时、运动型骑乘

按照维护手册指示拆卸悬架。每 4 个月清洁铸体及更换前叉油。每年更换减震器机油，对减震系统进行维护。根据需要润滑弹簧组。对于气动悬架型号，每 6 周按照载于 www.manitoumtb.com 的指示检查空气活塞上方的油位。

长时、频繁骑乘

按照维护手册指示拆卸悬架。每 3 个月清洁铸体及更换前叉油。每年更换减震器机油，对减震系统进行维护。根据需要润滑弹簧组。对于气动悬架型号，每 4 周按照载于 www.manitoumtb.com 的指示检查空气活塞上方的油位。

表 2 —— 建议的扭矩规格

项目	扭矩规格 - Nm (in-lbs)
六角轴螺栓	3.4 - 4.5 Nm (30 - 40 in-lb)
远端车把夹	0.45 - 0.68 Nm (4 - 6 in-lb)
远端操纵杆导线夹螺钉	0.34 - 0.56 Nm (3 - 5 in-lb)

有限保证:

HAYES 保证, 其产品并无材料或工艺缺陷, 并可在自购买日其一年内 (欧盟国家为 2 年) 正常用于预期用途, 但正常磨损除外。除非法律另行禁止, 否则 HAYES 在收到任何该等缺陷产品 (连同购买证明, 运费预付) 时可选择对其进行维修或更换。因碰撞或掉落导致的破损、弯曲或损坏不在保修范围内。以下原因导致的缺陷或损坏不在保修范围内: 对 HAYES 产品进行更改或改造、正常磨损、事故或不当维护造成缺陷或损坏, 将其他制造商的产品与 HAYES 产品配合使用、不当使用或滥用相关产品、以违反 HAYES 使用手册指示的方式应用或使用或未能遵循相关 HAYES 使用手册的指示而造成损坏。使用手册可在 www.hayescomponents.com 查阅。购买者或后续用户对产品的任何改造都会造成保修失效。若序列号或生产代码被故意涂改、损毁或从产品上抹掉, 本保修将失效。购买者应负责非缺陷部件的正常维护或更换的成本。若经当地法律许可, 本保证将明确取代所有其他保证 (不论明示或暗示, 有关所有权的保证除外), 尤其包括但不限于以下免责声明: HAYES 概不作出有关产品的适销性及适用于特定目的的任何暗示保证。若因任何原因必须进行保修, 请将相关部件退还购买地或联系您的经销商或当地 HAYES 分销商。在美国, 请致电 (888) 686-3472 联系 HAYES 以获得退货授权号 (RA#)。此时, 将提供维修、退货或更换指示。美国以外国家的客户应联系他们的经销商或当地 HAYES 分销商。

责任限制。

除非法律强制规定, 否则, HAYES 对任何附带、间接、特殊或相应而生的损害赔偿概不负责。

正常磨损不在保修范围内。磨损部件会由于正常使用、未能遵循维修建议在建议以外的条件下骑乘而损坏。非缺陷部件的正常维护或更换成本应由原始购买者支付。以下为不会根据保修更换的磨损部件列表:

- | | | |
|--------|--------------|------------|
| - 衬套 | - 尘封 | - 刮损或磨损的螺栓 |
| - 后减震器 | - 悬架及减震器空气 | - 远端锁紧导线 |
| 安装五金件 | 密封及 / 或 O 形环 | - 手套 |
| - 车把把套 | - 轴承 | - 下支柱 |
| - 气门蕊 | - 上支柱管 | 管 (Dorado) |

Hayes Performance Systems USA
5800 W. Donges Bay Rd.
Mequon, WI 53092

电话: 888.MTN.DISC (888.686.3472)

传真: 262.512.4219

电子邮件: techsupport@hayesbicycle.com

网站: www.hayescomponents.com

Hayes Performance Systems Europe
Dirnismaning 20 a
85748 Garching (b. Munich)
Germany

电话: +49 (89) 203237450

网站: www.hayescomponents.com

Hayes Performance Systems Asia

中国台湾省台北市

中山区民权东路

3 段 37 号 16 楼

邮编: 10476

电话: 886-2-2518-1108

传真: 886-2-2518-2308