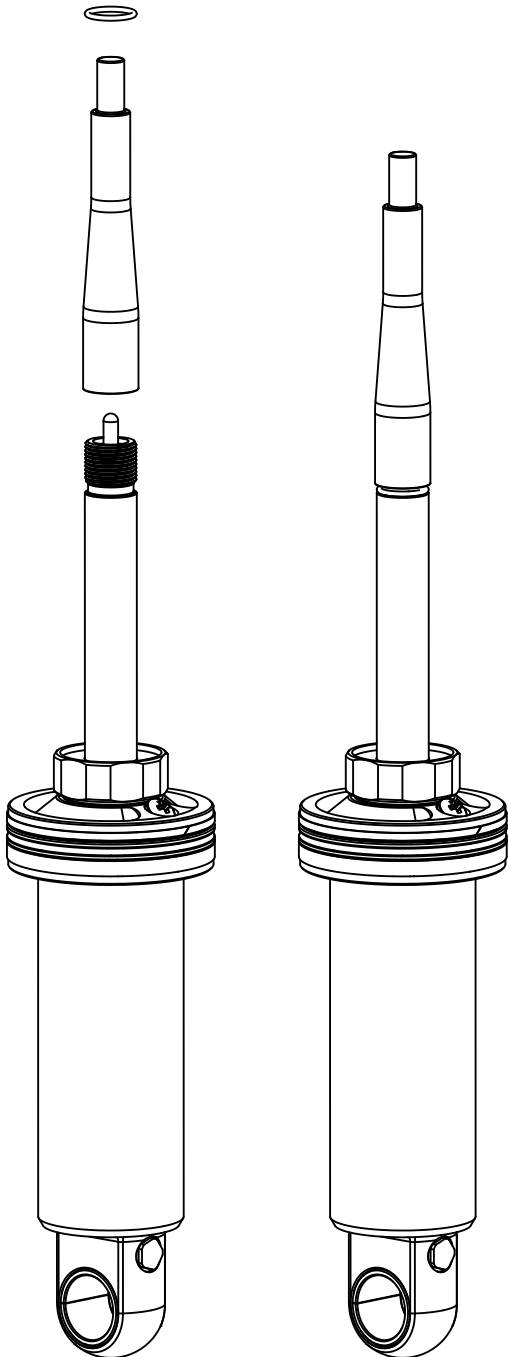


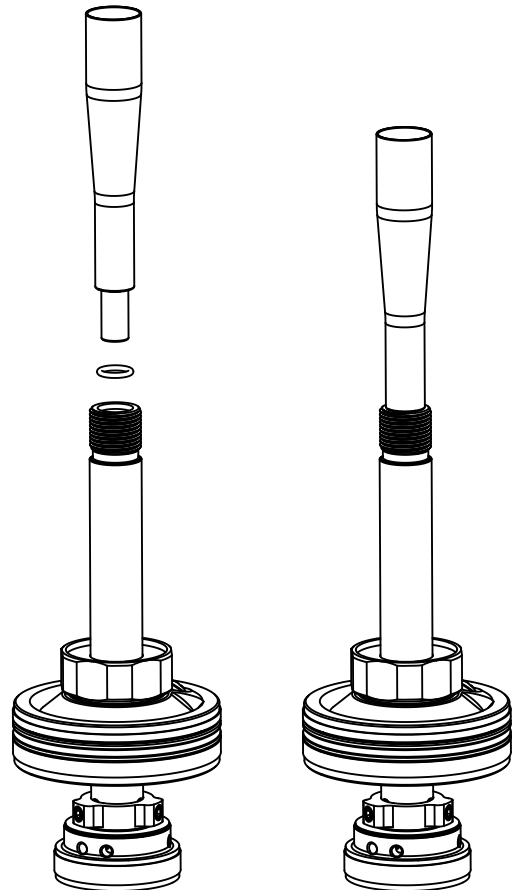
## SHAFT O-RING INSTALL TOOL

### SHAFT OD SEAL INSTALLATION



Place the bullet tool over the threads on the end of the shaft and slide the O-ring over the tool into the groove on the shaft.

### SHAFT ID SEAL INSTALLATION



Start the O-ring horizontally into the end of the shaft and use the end of the tool to push it into the groove on the shaft ID.

For further instructions on service tool usage watch the McLeod Service videos at:  
[www.manitoumtb.com/support/](http://www.manitoumtb.com/support/)