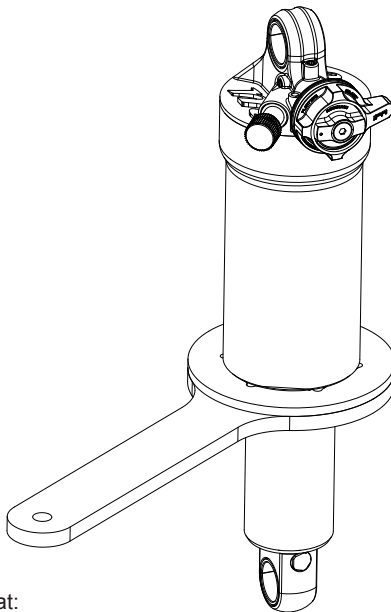


AIR CAN WRENCH

⚠ WARNING Make sure to relieve air can pressure prior to removing the air can.

Hold the top cap eyelet from turning and use the air can wrench to remove or install the air can.

NOTE: Compress shock during air can removal to prevent thread damage.



For further instructions on service tool usage watch the McLeod Service videos at:
www.manitoumtb.com/support/