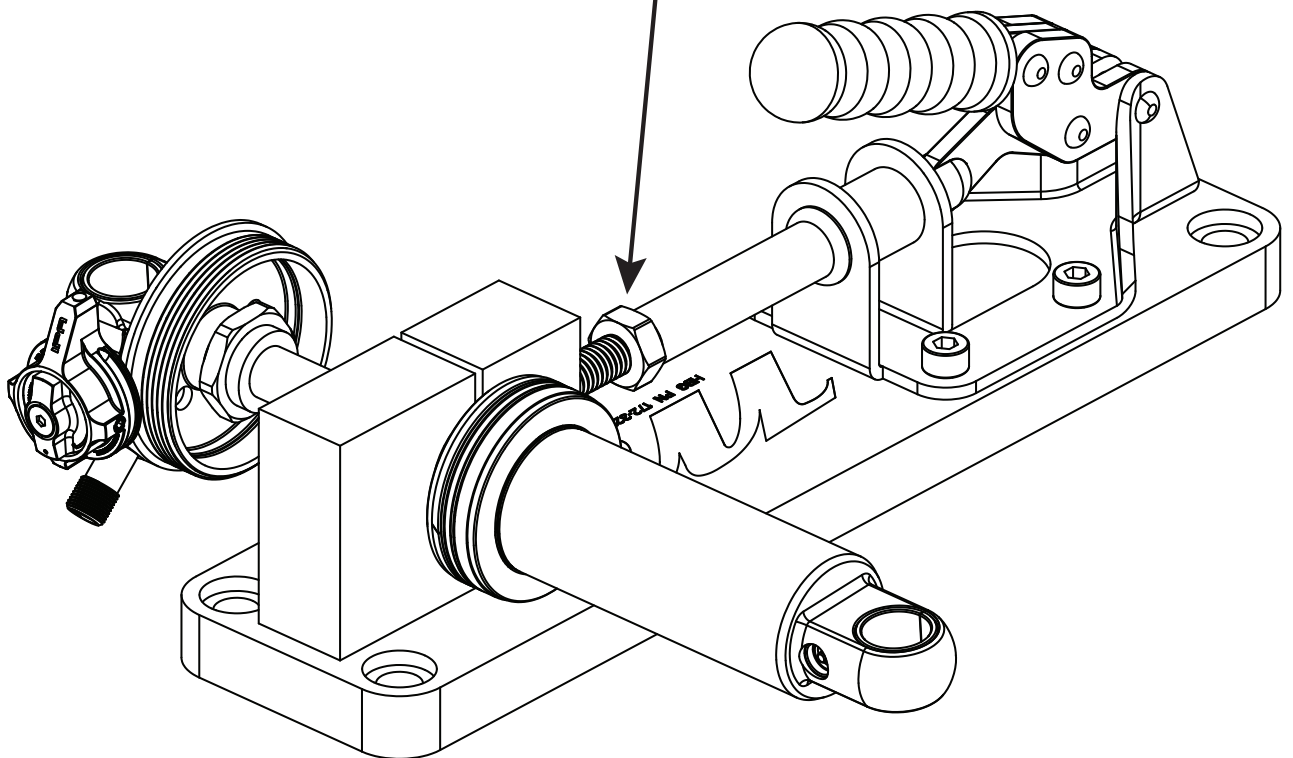


SHAFT CLAMP BLOCK

Use the clamp to hold the shock shaft for service.
The clamp force can be adjusted by loosening
the jam nut and turning the threaded rod to
increase or decrease clamp force.



For further instructions on service tool usage watch the McLeod Service videos at:
www.manitoumtb.com/support/