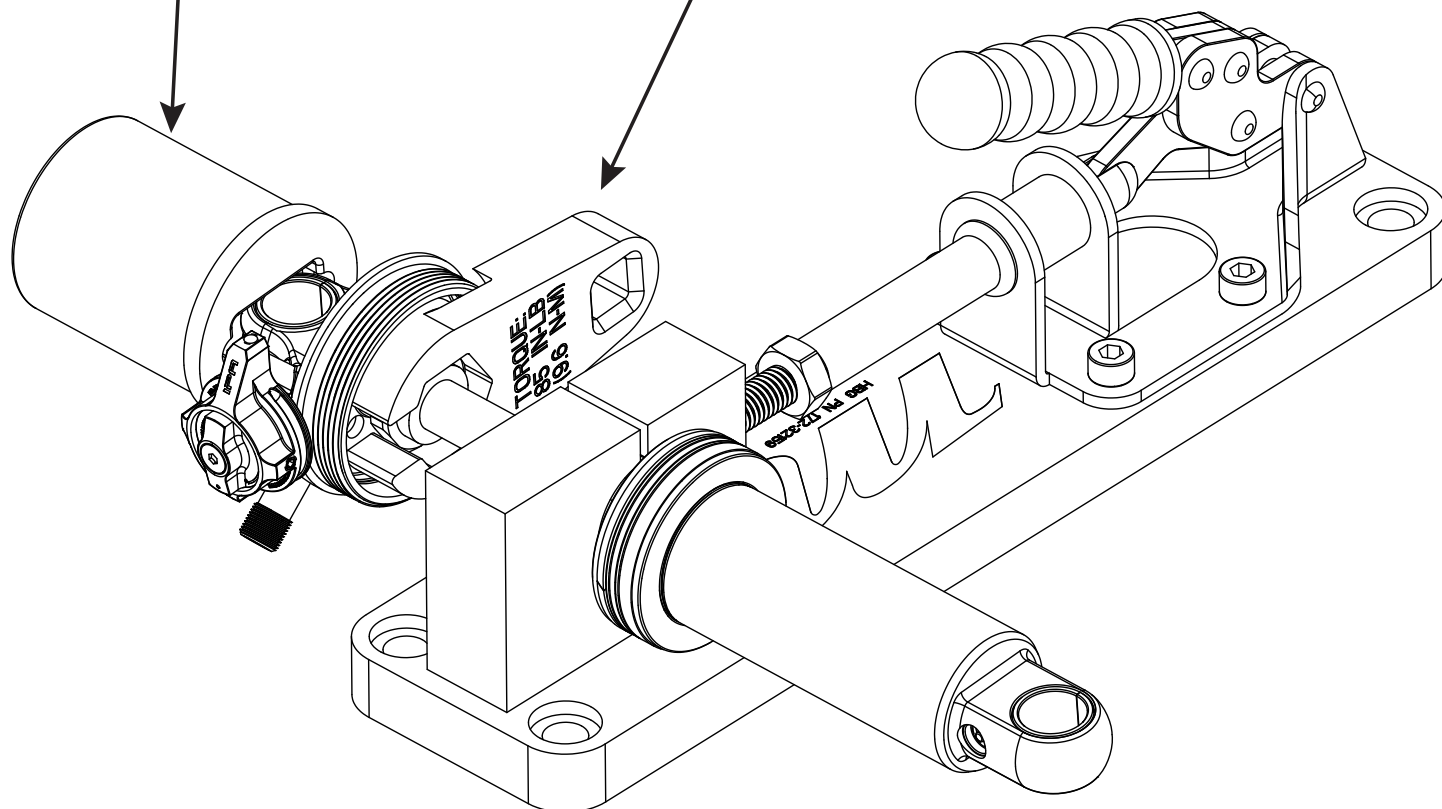


TOP CAP SOCKET/LOCKNUT WRENCH

Use the top cap socket with any 1/2" square drive tool to hold, loosen or tighten the top cap.

Use the top cap nut wrench with a 3/8" square drive tool to loosen or tighten the top cap lock nut. The top cap threads will nest into the groove on the tool to ensure engagement with the nut.



Use the clamp block to hold the shock shaft for service. Part number for the clamp block is 172-32159-K001.

For further instructions on service tool usage watch the McLeod Service videos at:
www.manitoumtb.com/support/