



REYNOLDS

2022 TECHNICAL SERVICE MANUAL



GLOBAL HEADQUARTERS & HAYES BICYCLE GROUP USA

5800 W. Donges Bay Rd.
Mequon, WI 53092

SUPPORT

Website: reynoldscycling.com

Phone: 888.686.3472

Tech Support: reynoldscycling.com/support

For full warranty information, please visit:
reynoldscycling.com/warranty

[facebook.com/ReynoldsCycling](https://www.facebook.com/ReynoldsCycling)



[instagram.com/ReynoldsCycling](https://www.instagram.com/ReynoldsCycling)



#CarbonWheelExperts

TABLE OF CONTENTS

BLACKLABEL AERO RB

- BL Aero 65
- BL Aero 80
- BL Aero RB Exploded Views

BLACKLABEL AERO DB

- BL Aero 46
- BL Aero 65
- BL Aero 80
- BL Aero DB Exploded Views

AR / AR X RB

- AR 29
- AR 29 X
- AR 41
- AR 41 X
- AR 58
- AR 58 X
- AR 80
- AR 80 X
- AR / AR X RB Exploded Views

AR / AR X DB

- AR 29
- AR 29 X
- AR 41
- AR 41 X
- AR 58/62
- AR 58/62 X
- AR 80
- AR 80 X
- AR / AR X DB Exploded Views

AR E

- AR 41 E
- AR E Exploded Views

G SERIES

- BL G700 Pro
- BL G650 Pro
- BL G700 Expert
- BL G650 Expert
- G700
- G650
- G Series Exploded Views

ATR

- BL ATR 700
- BL ATR 650
- ATR X 700
- ATR X 650
- ATR 700
- ATR 650
- ATR Exploded Views

BLACKLABEL MOUNTAIN

- BL 259 XC
- BL 309 / 289 XC
- BL 327 Trail
- BL 329 Trail
- BL 287 Enduro
- BL 289 Enduro
- BL 287 Downhill
- BL 289 Downhill
- BL 347
- BL 349
- BL 407
- BL Mountain Exploded Views

TR / TR S

- TR 249
- TR 249 S
- TR 309 / 289 XC
- TR 309 / 289 S XC
- TR 307
- TR 307 S
- TR 309
- TR 309 S
- TR 309 E
- TR327 Trail
- TR329 Trail
- TR367
- TR367 S
- TR / TR S Exploded Views

TR E

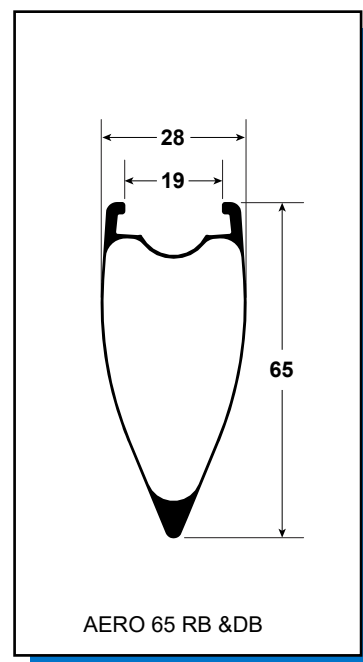
- TR 307 E
- TR 307 E Boost + 157
- TR 309 E
- TR 309 E Boost + 157
- TR 367 E
- TR 367 E Boost + 157
- TR E Exploded Views

AERO 65 CLINCHER RIM BRAKE

77681	WS, 65 AERO C TL RB SHIM 18/24	
77683	W, 65 AERO C TL RB FRONT 18H	1.00
67683	D RIM, HiO AERO 65 C TL RB 18H	1.00
20915	RIM TAPE, TL 22MM 5.5M	1.00
21862	HUB, FRONT AERO RB SP 18H	1.00
21575	SPOKE, SPM CX-RAY SP 260MM BLK	18.00
20911	NIPPLE, HEX HIDDEN INTERNAL	18.00
85585	W ACC KIT, 65 AERO TL RB FRNT	1.00
85112	WHEEL BAG SINGLE, REYNOLDS	1.00
20333	REYNOLDS NEW PROD WEBSITE CARD	1.00
21786	VALVE STEM, TUBELESS 85MM LONG	1.00
20816	SKEWER, QR FRONT UPPER LEVEL	1.00
21880	BRAKE PAD,CRYO BL PWR SHIM (PAIR)	1.00
77684	W, 65 AERO C TL RB SHIMANO 24H	1.00
67684	D RIM, HiO AERO 65 C TL RB 24H	1.00
20915	RIM TAPE, TUBELESS 22MM 5.5 M	1.00
21863	HUB, I9 AERO RB SHIM SP 24H	1.00
21576	SPOKE, SPM CX-RAY 267MM SP BLK	12.00
21584	SPOKE, SPM CX-RAY 265MM SP BLK	12.00
20911	NIPPLE, HEX HIDDEN INTERNAL	24.00
85586	W ACC KIT, 65 AERO TL RB SHIM	1.00
20333	REYNOLDS NEW PROD WEBSITE CARD	1.00
21786	VALVE STEM, TUBELESS 85MM LONG	1.00
20817	SKEWER, QR REAR UPPER LEVEL	1.00
21880	BRAKE PAD,CRYO BL PWR SHIM PAIR	1.00
85112	WHEEL BAG SINGLE, REYNOLDS	1.00

FREEHUB OPTIONS

21862	HUB, FRONT AERO RB SP 18H
21793	SPACER, I9 REAR AXLE
21792	AXLE, I9 RB REAR CL 15/20/130
21912	END CAP, KT FRONT QR QL- LS9PF
21873	END CAP, I9 RB REAR QR 9X130
21856	FREEHUB, I9 RB/DB SHIM 10/11SP
21857	FREEHUB, I9 RB/DB XDR 11/12SPD
21858	FREEHUB, I9 RB/DB CAMPY 11 SPD
20158	BEARING, MR17287
20167	BEARING, ENDURO 61803 ABEC 5
20168	BEARING, ENDURO 61903 ABEC 5
21847	HUB I9 ROAD 3 PAWL SPRING KIT

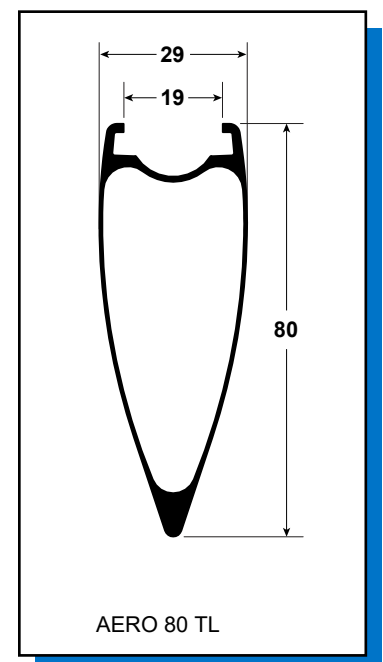


AERO 80 CLINCHER RIM BRAKE

77851	WS, 80 AERO C TL RB SHIM 18/24	
77853	W, 80 AERO C TL RB FRONT 18H	1.00
67853	D RIM, HiO AERO 80 C TL RB 18H	1.00
20915	RIM TAPE, TL 22MM 5.5M	1.00
21862	HUB, FRONT AERO RB SP 18H	1.00
21582	SPOKE, SPM CX-RAY SP 246MM BLK	18.00
20911	NIPPLE, HEX HIDDEN INTERNAL	18.00
85587	W ACC KIT, 80 AERO TL RB FRNT	1.00
85112	WHEEL BAG SINGLE, REYNOLDS	1.00
20333	REYNOLDS NEW PROD WEBSITE CARD	1.00
21787	VALVE STEM, TUBELESS 100MM LONG	1.00
20816	SKEWER, QR FRONT UPPER LEVEL	1.00
21880	BRAKE PAD,CRYO BL PWR SHIM (PAIR)	1.00
77854	W, 80 AERO C TL RB SHIMANO 24H	1.00
67854	D RIM, HiO AERO 80 C TL RB 24H	1.00
20915	RIM TAPE, TUBELESS 22MM 5.5 M	1.00
21863	HUB, I9 AERO RB SHIM SP 24H	1.00
21583	SPOKE, SPM CX-RAY 253MM SP BLK	12.00
21588	SPOKE, SPM CX-RAY 258MM SP BLK	12.00
20911	NIPPLE, HEX HIDDEN INTERNAL	24.00
85588	W ACC KIT, 80 AERO TL RB REAR	1.00
20333	REYNOLDS NEW PROD WEBSITE CARD	1.00
21787	VALVE STEM, TUBELESS 100MM LONG	1.00
20817	SKEWER, QR REAR UPPER LEVEL	1.00
21880	BRAKE PAD,CRYO BL PWR SHIM PAIR	1.00
85112	WHEEL BAG SINGLE, REYNOLDS	1.00

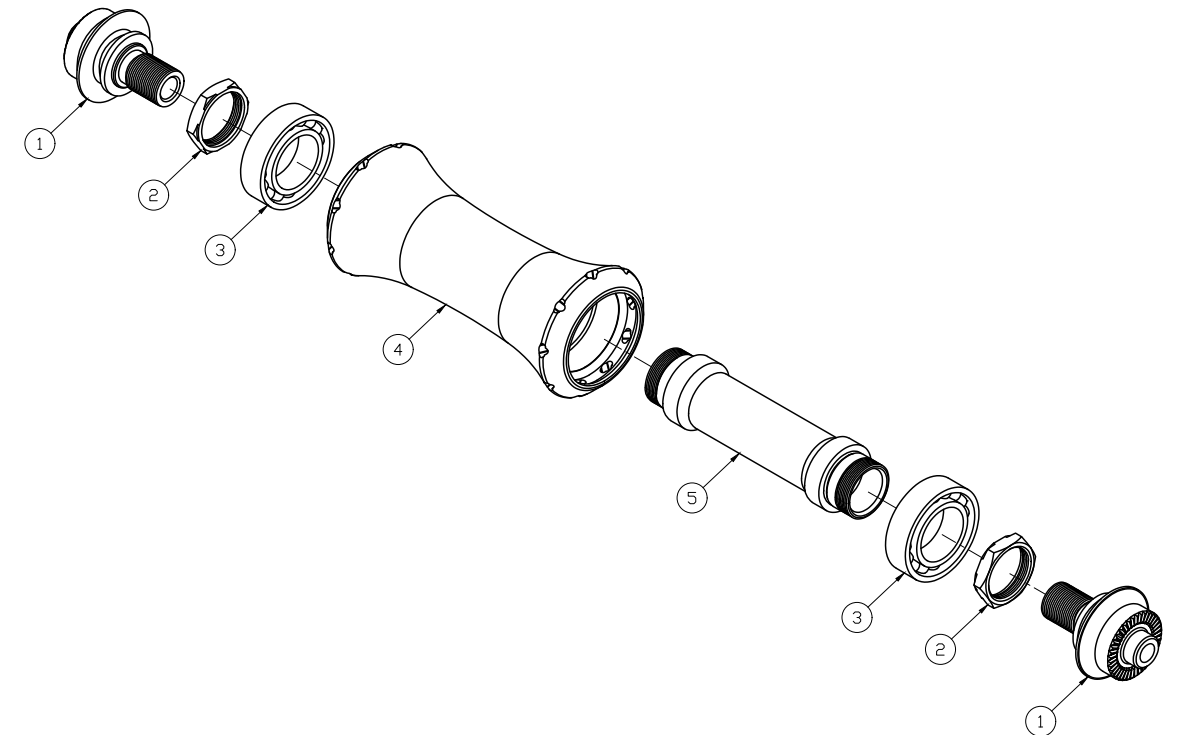
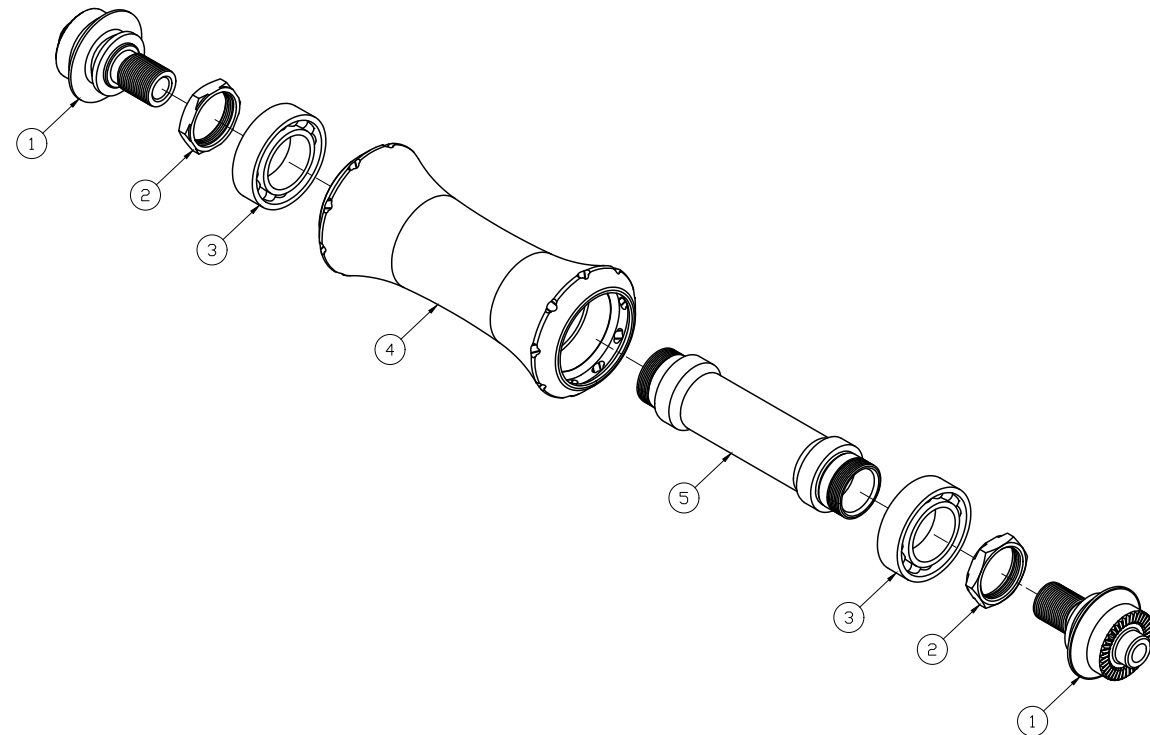
FREEHUB OPTIONS

21862	HUB, FRONT AERO RB SP 18H
21793	SPACER, I9 REAR AXLE
21792	AXLE, I9 RB REAR CL 15/20/130
21912	END CAP, KT FRONT QR QL- LS9PF
21873	END CAP, I9 RB REAR QR 9X130
21856	FREEHUB, I9 RB/DB SHIM 10/11SP
21857	FREEHUB, I9 RB/DB XDR 11/12SPD
21858	FREEHUB, I9 RB/DB CAMPY 11 SPD
20158	BEARING, MR17287
20167	BEARING, ENDURO 61803 ABEC 5
20168	BEARING, ENDURO 61903 ABEC 5
21847	HUB I9 ROAD 3 PAWL SPRING KIT



FRONT AERO RIM BRAKE SP 18H

FRONT AERO RIM BRAKE SP 18H

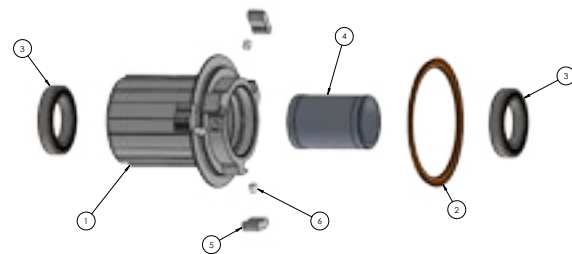
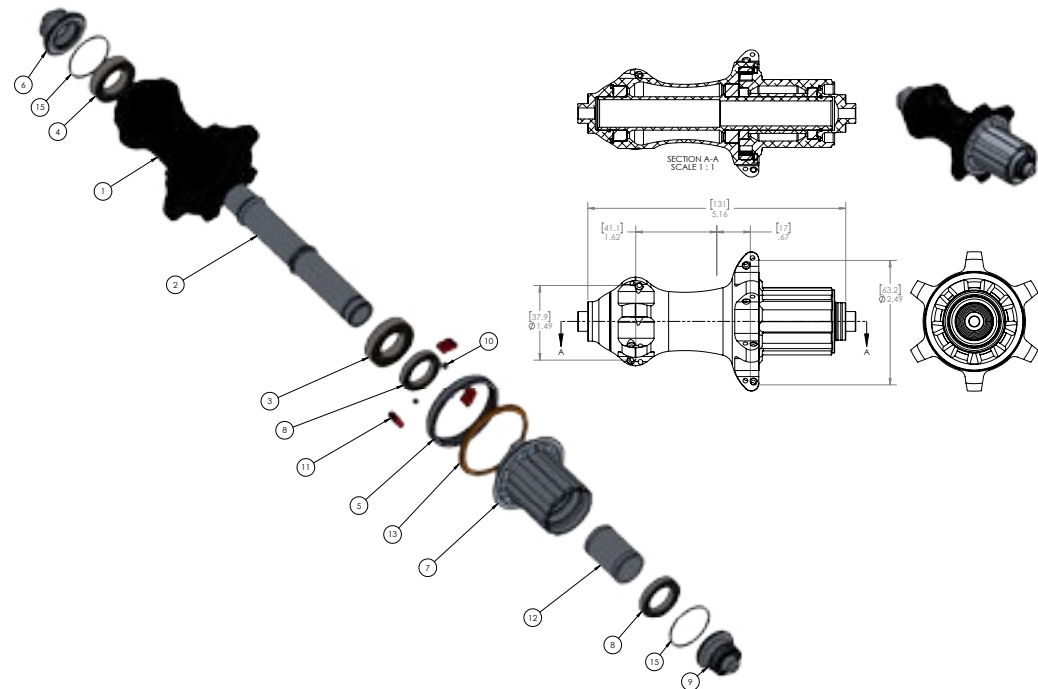


ITEM #	PART #	DESCRIPTION	QTY
1	N/A	END CAP, QR	
2	N/A	Axle Nut	
3	20157	BEARING, 6802, ABEC 3, 2RS	1
4	N/A	Hub Shell	
5	N/A	Axle	

ITEM #	PART #	DESCRIPTION	QTY
1	N/A	END CAP, QR	
2	N/A	Axle Nut	
3	20157	BEARING, 6802, ABEC 3, 2RS	1
4	N/A	Hub Shell	
5	N/A	Axle	

WARNING: The information contained herein is proprietary and confidential to Reynolds Cycling and Reynolds Cycling affiliates. This document is not intended for public distribution or disclosure. This document may be referenced and reproduced for and by Reynolds Cycling and Reynolds Cycling affiliates only.

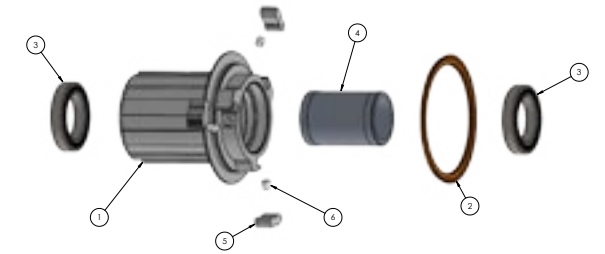
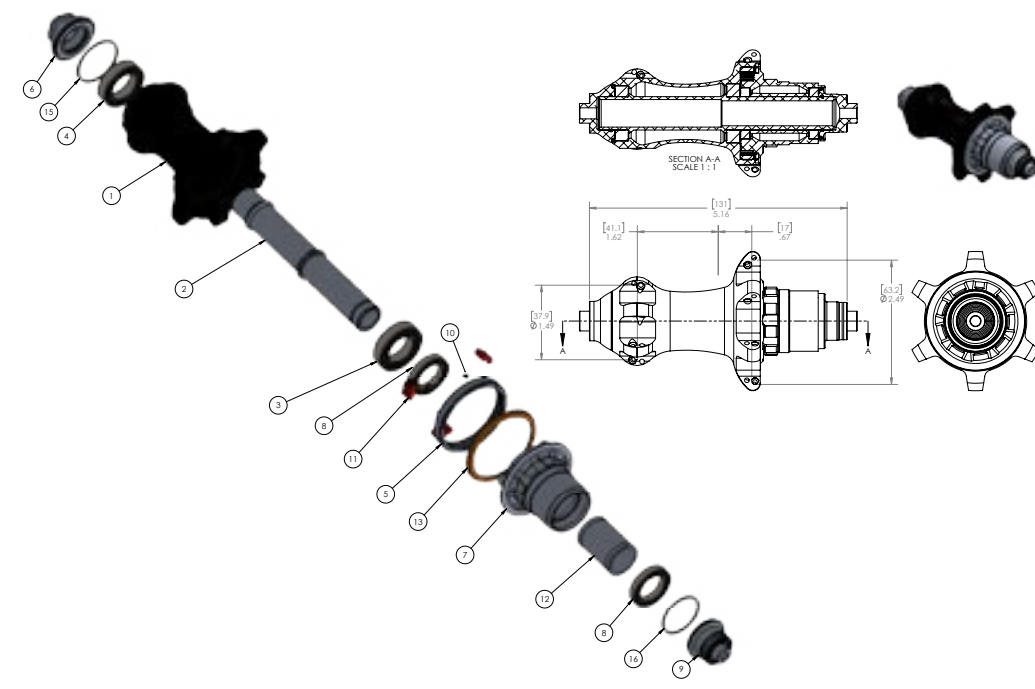
19 AERO RIM BRAKE SHIM SP 24H



ITEM #	PART #	DESCRIPTION	QTY
1	N/A	Hub Shell	
2	21792	AXLE, i9 RB REAR CL 15/20/130	1
3	20168	BEARING, ENDURO 61903 ABEC 5	1
4	20158	BEARING, MR17287	1
5	21771	RATCHET RING i9	1
6	21873	END CAP, i9 RB REAR QR 9x130	1
7	21856	FREEHUB, i9 RB/DB SHIM 10/11SP	1
8	20167	BEARING, ENDURO 61803 ABEC 5	1
9	N/A	See Item 6	
10	21847	HUB, i9 ROAD 3 PAWL SPRING KIT	1
11	N/A	Pawl	
12	21793	SPACER, i9 REAR AXLE	1
13	N/A	Seal Ring	
14	N/A	o-ring	
15	N/A	teflon seal	

ITEM #	PART #	DESCRIPTION	QTY
1	21856	FREEHUB, i9 RB/DB SHIM 10/11SP	1
	21857	FREEHUB, i9 RB/DB XDR 11/12SPD	1
	21858	FREEHUB, i9 RB/DB CAMPY 11 SPD	1
	423-39272	FREEHUB, i9 CAMPY N3W TORCH 13SPD W/DS E	1
2	N/A	SEAL RING	
3	20167	BEARING, ENDURO 61803 ABEC 5	2
4	21793	SPACER, i9 REAR AXLE	1
5	N/A	PAWL	
6	21847	HUB, i9 ROAD 3 PAWL SPRING KIT	1

19 AERO RIM BRAKE XD SP 24H



ITEM #	PART #	DESCRIPTION	QTY
1	N/A	Hub Shell	
2	21792	AXLE, i9 RB REAR CL 15/20/130	1
3	20168	BEARING, ENDURO 61903 ABEC 5	1
4	20158	BEARING, MR17287	1
5	21771	RATCHET RING i9	1
6	21873	END CAP, i9 RB REAR QR 9x130	1
7	21857	FREEHUB, i9 RB/DB XDR 11/12SPD	1
8	20167	BEARING, ENDURO 61803 ABEC 5	1
9	N/A	See Item 6	
10	21847	HUB, i9 ROAD 3 PAWL SPRING KIT	1
11	N/A	Pawl	
12	21793	SPACER, i9 REAR AXLE	1
13	N/A	Seal Ring	
14	N/A	o-ring	
15	N/A	teflon seal	

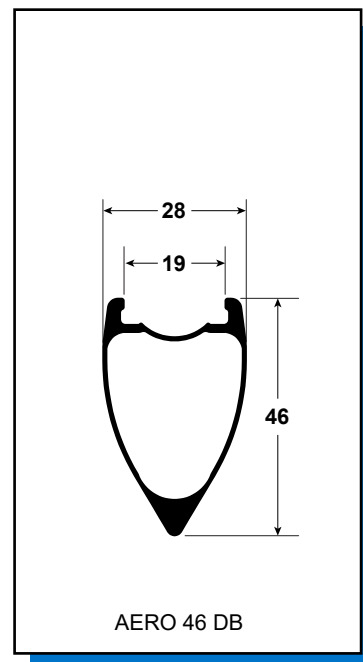
ITEM #	PART #	DESCRIPTION	QTY
1	21856	FREEHUB, i9 RB/DB SHIM 10/11SP	1
	21857	FREEHUB, i9 RB/DB XDR 11/12SPD	1
	21858	FREEHUB, i9 RB/DB CAMPY 11 SPD	1
	423-39272	FREEHUB, i9 CAMPY N3W TORCH 13SPD W/DS E	1
2	N/A	SEAL RING	
3	20167	BEARING, ENDURO 61803 ABEC 5	2
4	21793	SPACER, i9 REAR AXLE	1
5	N/A	PAWL	
6	21847	HUB, i9 ROAD 3 PAWL SPRING KIT	1

AERO 46 CLINCHER ROAD DISC

77341	WS, 46 AERO C TL DB SHIM 20/24	
77343	W, 46 AERO C TL DB FRONT 20H	1.00
67343	D RIM, HiO AERO 46 C TL DB 20H	1.00
20915	RIM TAPE, TUBELESS 22MM 5.5 M	1.00
21860	HUB, i9 DB CL 12MM FRONT 20H	1.00
21533	SPOKE, SPM CX-RAY SP 290MM BLK	20.00
20911	NIPPLE, HEX HIDDEN INTERNAL	20.00
85581	W ACC KIT, 46 AERO TL DB FRNT	1.00
85112	WHEEL BAG SINGLE, REYNOLDS	1.00
20333	REYNOLDS NEW PROD WEBSITE CARD	1.00
21013	VALVE STEM, TUBELESS 75MM LONG	1.00
21869	END CAP, i9 DB FRT TA 15X100	1.00
77344	W, 46 AERO C TL DB SHIMANO 24H	1.00
67344	D RIM, HiO AERO 46 C TL DB 24H	1.00
20915	RIM TAPE, TUBELESS 22MM 5.5 M	1.00
21861	HUB, i9 DB CL 142/12 SHIM 24H	1.00
21605	SPOKE, SPM CX-RAY SP 285MM BLK	12.00
21593	SPOKE, SPM CX-RAY SP 280MM BLK	12.00
20911	NIPPLE, HEX HIDDEN INTERNAL	24.00
85582	W ACC KIT, 46 AERO TL DB REAR	1.00
20333	REYNOLDS NEW PROD WEBSITE CARD	1.00
21013	VALVE STEM, TUBELESS 75MM LONG	1.00
85112	WHEEL BAG SINGLE, REYNOLDS	1.00

FREEHUB OPTIONS

21793	SPACER, i9 REAR AXLE
21791	AXLE, i9 DB REAR CL 15/12/1
21867	END CAP, i9 DB FRT QR 9X100
21868	END CAP, i9 DB FRT TA 12X100
21869	END CAP, i9 DB FRT TA 15X100
21870	END CAP, i9 DB REAR QR 9X135
21871	END CAP, i9 DB REAR TA 12X142
21872	END CAP, i9 DB REAR TA 12X135
21856	FREEHUB, i9 RB/DB SHIM 10/11SP
21857	FREEHUB, i9 RB/DB XDR 11/12SPD
21858	FREEHUB, i9 RB/DB CAMPY 11 SPD
20158	BEARING, MR17287
20167	BEARING, ENDURO 61803 ABEC 5
20168	BEARING, ENDURO 61903 ABEC 5
21847	HUB i9 ROAD 3 PAWL SPRING KIT

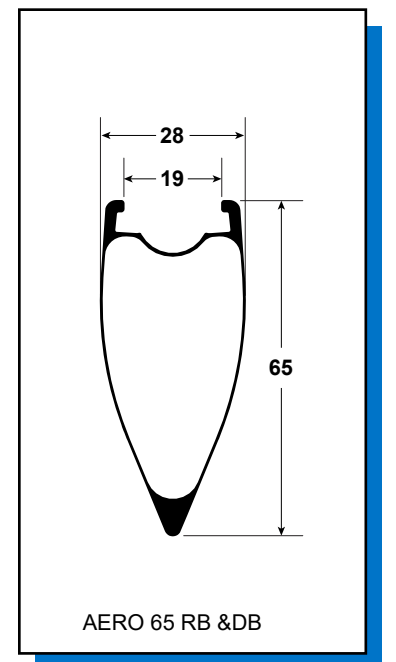


AERO 65 CLINCHER ROAD DISC

77661	WS, 65 AERO C TL DB SHIM 20/24	
77663	W, 65 AERO C TL DB FRONT 20H	1.00
67663	D RIM, HiO AERO 65 C TL DB 20H	1.00
20915	RIM TAPE, TUBELESS 22MM 5.5 M	1.00
21860	HUB, i9 DB CL 12MM FRONT 20H	1.00
21592	SPOKE, SPM CX-RAY SP 275MM BLK	10.00
20911	NIPPLE, HEX HIDDEN INTERNAL	20.00
85583	W ACC KIT, 65 AERO TL DB FRNT	1.00
85112	WHEEL BAG SINGLE, REYNOLDS	1.00
20333	REYNOLDS NEW PROD WEBSITE CARD	1.00
21786	VALVE STEM, TUBELESS 85MM LONG	1.00
21869	END CAP, i9 DB FRT TA 15X100	1.00
77664	W, 65 AERO C TL DB SHIMANO 24H	1.00
67664	D RIM, HiO AERO 65 C TL DB 24H	1.00
20915	RIM TAPE, TUBELESS 22MM 5.5 M	1.00
21861	HUB, i9 DB CL 142/12 SHIM 24H	1.00
21576	SPOKE, SPM CX-RAY SP 267MM BLK	12.00
21584	SPOKE, SPM CX-RAY SP 265MM BLK	12.00
20911	NIPPLE, HEX HIDDEN INTERNAL	24.00
85584	W ACC KIT, 65 AERO TL DB REAR	1.00
20333	REYNOLDS NEW PROD WEBSITE CARD	1.00
21786	VALVE STEM, TUBELESS 85MM LONG	1.00
85112	WHEEL BAG SINGLE, REYNOLDS	1.00

FREEHUB OPTIONS

21793	SPACER, i9 REAR AXLE
21791	AXLE, i9 DB REAR CL 15/12/1
21867	END CAP, i9 DB FRT QR 9X100
21868	END CAP, i9 DB FRT TA 12X100
21869	END CAP, i9 DB FRT TA 15X100
21870	END CAP, i9 DB REAR QR 9X135
21871	END CAP, i9 DB REAR TA 12X142
21872	END CAP, i9 DB REAR TA 12X135
21856	FREEHUB, i9 RB/DB SHIM 10/11SP
21857	FREEHUB, i9 RB/DB XDR 11/12SPD
21858	FREEHUB, i9 RB/DB CAMPY 11 SPD
20158	BEARING, MR17287
20167	BEARING, ENDURO 61803 ABEC 5
20168	BEARING, ENDURO 61903 ABEC 5
21847	HUB i9 ROAD 3 PAWL SPRING KIT

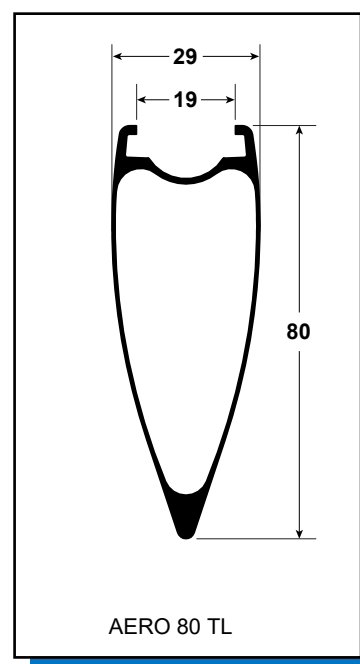


AERO 80 CLINCHER ROAD DISC

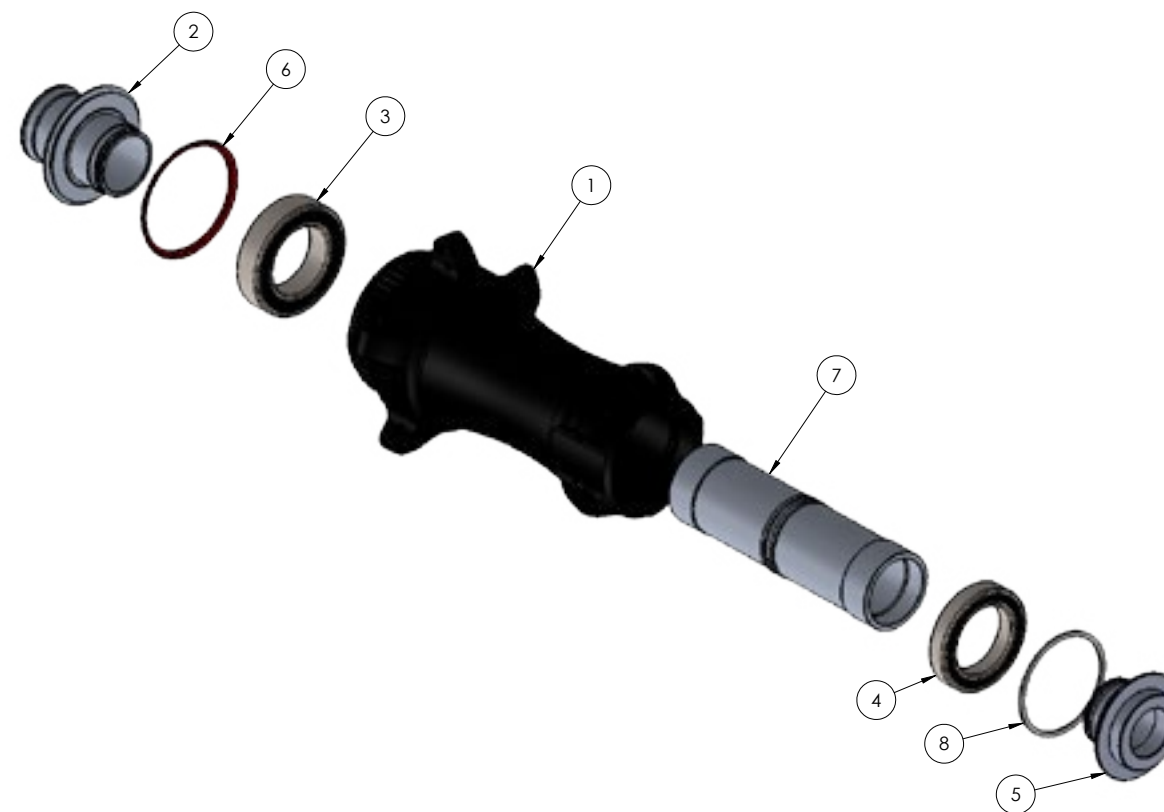
77861	WS, 80 AERO C TL DB SHIM 20/24	
77863	W, 80 AERO C TL DB FRONT 20H	1.00
67863	D RIM, HiO AERO 80 C TL DB 20H	1.00
20911	NIPPLE, HEX HIDDEN INTERNAL	20.00
20918	RIM TAPE, TL 22MM 5.5M INSTALED	1.00
21571	SPOKE, SPM CX-RAY SP 262MM BLK	10.00
21575	SPOKE, SPM CX-RAY SP 260MM BLK	10.00
21860	HUB, i9 DB CL 12MM FRONT 20H	1.00
85112	WHEEL BAG SINGLE, REYNOLDS	1.00
85595	W ACC KIT, 80 AERO TL DB FRNT	1.00
77864	W, 80 AERO C TL DB SHIMANO 24H	1.00
67864	D RIM, HiO AERO 80 C TL DB 24H	1.00
20911	NIPPLE, HEX HIDDEN INTERNAL	24.00
20918	RIM TAPE, TL 22MM 5.5M INSTALED	1.00
21586	SPOKE, SPM CX-RAY SP 254MM BLK	12.00
21730	SPOKE, SPM CX-RAY SP 257MM BLK	12.00
21861	HUB, i9 DB CL 142/12 SHIM 24H	1.00
85112	WHEEL BAG SINGLE, REYNOLDS	1.00
85596	W ACC KIT, 80 AERO TL DB REAR	1.00
77867	WS, 80 AERO C TL DB XD 20/24	
77863	W, 80 AERO C TL DB FRONT 20H	1.00
77870	W, 80 AERO C TL DB XD 24H	1.00
67864	D RIM, HiO AERO 80 C TL DB 24H	1.00
20911	NIPPLE, HEX HIDDEN INTERNAL	24.00
20918	RIM TAPE, TL 22MM 5.5M INSTALED	1.00
21586	SPOKE, SPM CX-RAY SP 254MM BLK	12.00
21730	SPOKE, SPM CX-RAY SP 257MM BLK	12.00
21866	HUB, i9 DB CL 142/12 XD 24H	1.00
85112	WHEEL BAG SINGLE, REYNOLDS	1.00
85596	W ACC KIT, 80 AERO TL DB REAR	1.00

FREEHUB OPTIONS

21793	SPACER, i9 REAR AXLE
21791	AXLE, i9 DB REAR CL 15/12/1
21867	END CAP, i9 DB FRT QR 9X100
21868	END CAP, i9 DB FRT TA 12X100
21869	END CAP, i9 DB FRT TA 15X100
21870	END CAP, i9 DB REAR QR 9X135
21871	END CAP, i9 DB REAR TA 12X142
21872	END CAP, i9 DB REAR TA 12X135
21856	FREEHUB, i9 RB/DB SHIM 10/11SP
21857	FREEHUB, i9 RB/DB XDR 11/12SPD
21858	FREEHUB, i9 RB/DB CAMPY 11 SPD
20158	BEARING, MR17287
20167	BEARING, ENDURO 61803 ABEC 5
20168	BEARING, ENDURO 61903 ABEC 5
21847	HUB i9 ROAD 3 PAWL SPRING KIT

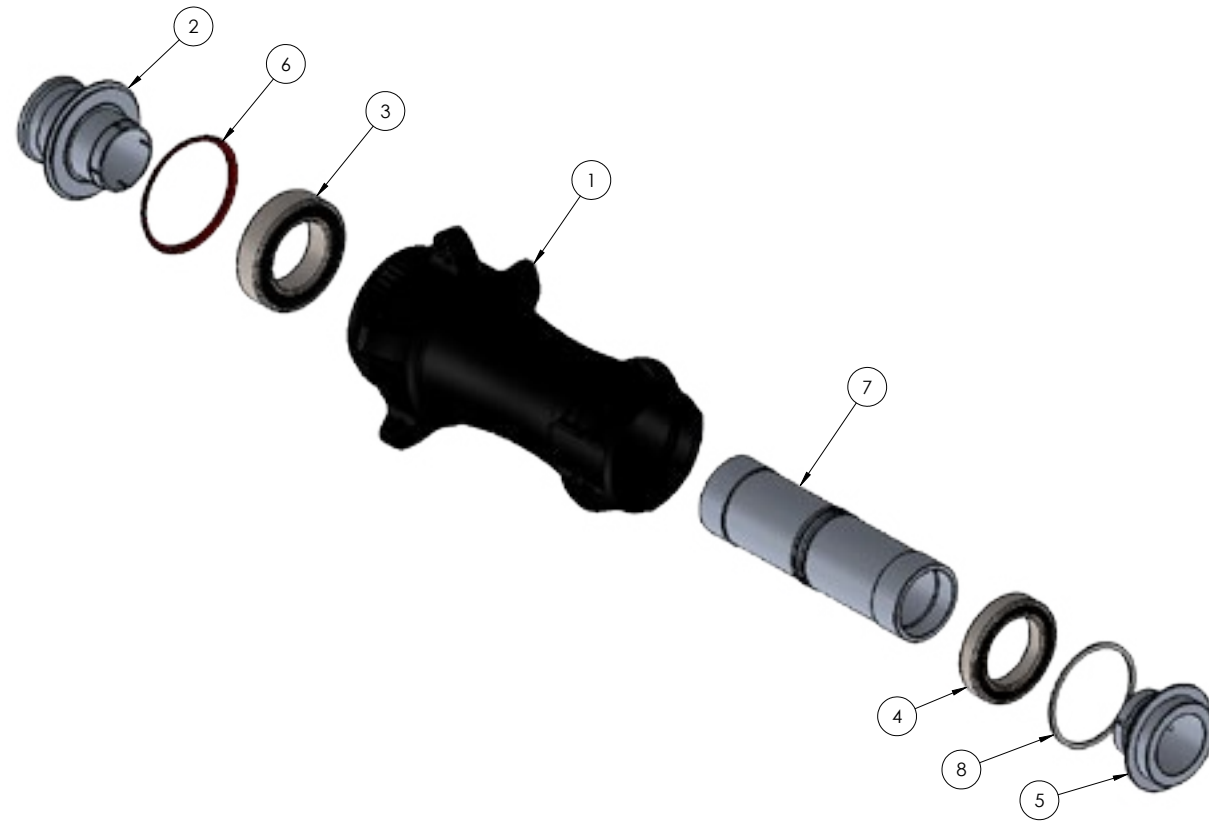


i9 DISC BRAKE CL 12MM FRONT 20H



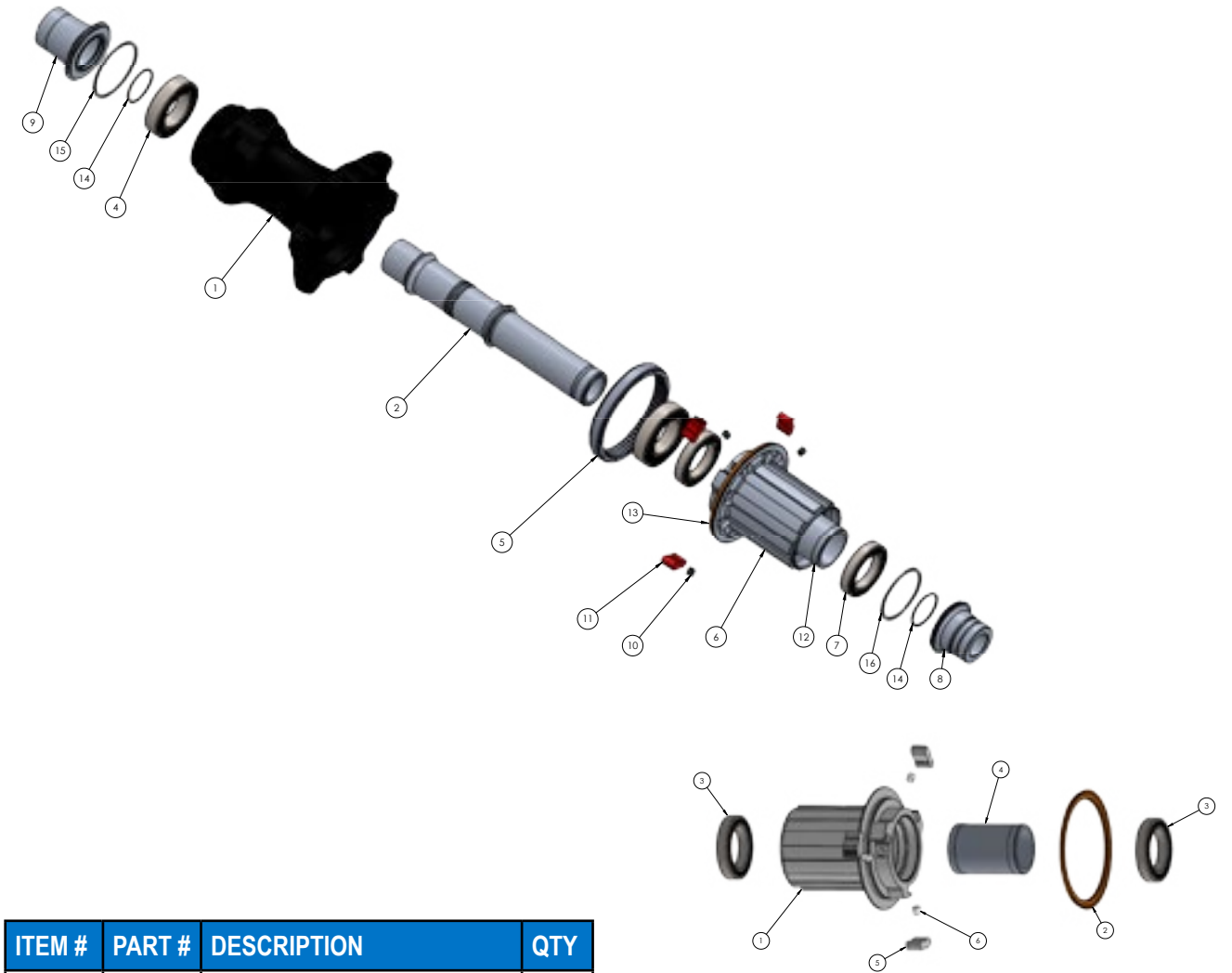
ITEM #	PART #	DESCRIPTION	QTY
1		Hub Shell	1
2	21868	END CAP, i9 DB FRT TA 12x100	1
3	20185	BEARING, MR17287	1
4	20167	BEARING, ENDURO 61803 ABEC 5	1
5	N/A	See Item 2	
6	N/A		
7	21784	AXLE, i9 DB FRONT 12/15/100	1
8	N/A		

I9 DISC BRAKE CL 15MM FRONT 20H



ITEM #	PART #	DESCRIPTION	QTY
1		Hub Shell	1
2	21840	END CAP, i9 FRONT 15mm KIT	1
3	20185	BEARING, MR17287	1
4	20167	BEARING, ENDURO 61803 ABEC 5	1
5	N/A	See Item 2	
6	N/A		
7	21784	AXLE, I9 DB FRONT 12/15/100	1
8	N/A		

I9 DISC BRAKE CL 14212 SHIM 24H

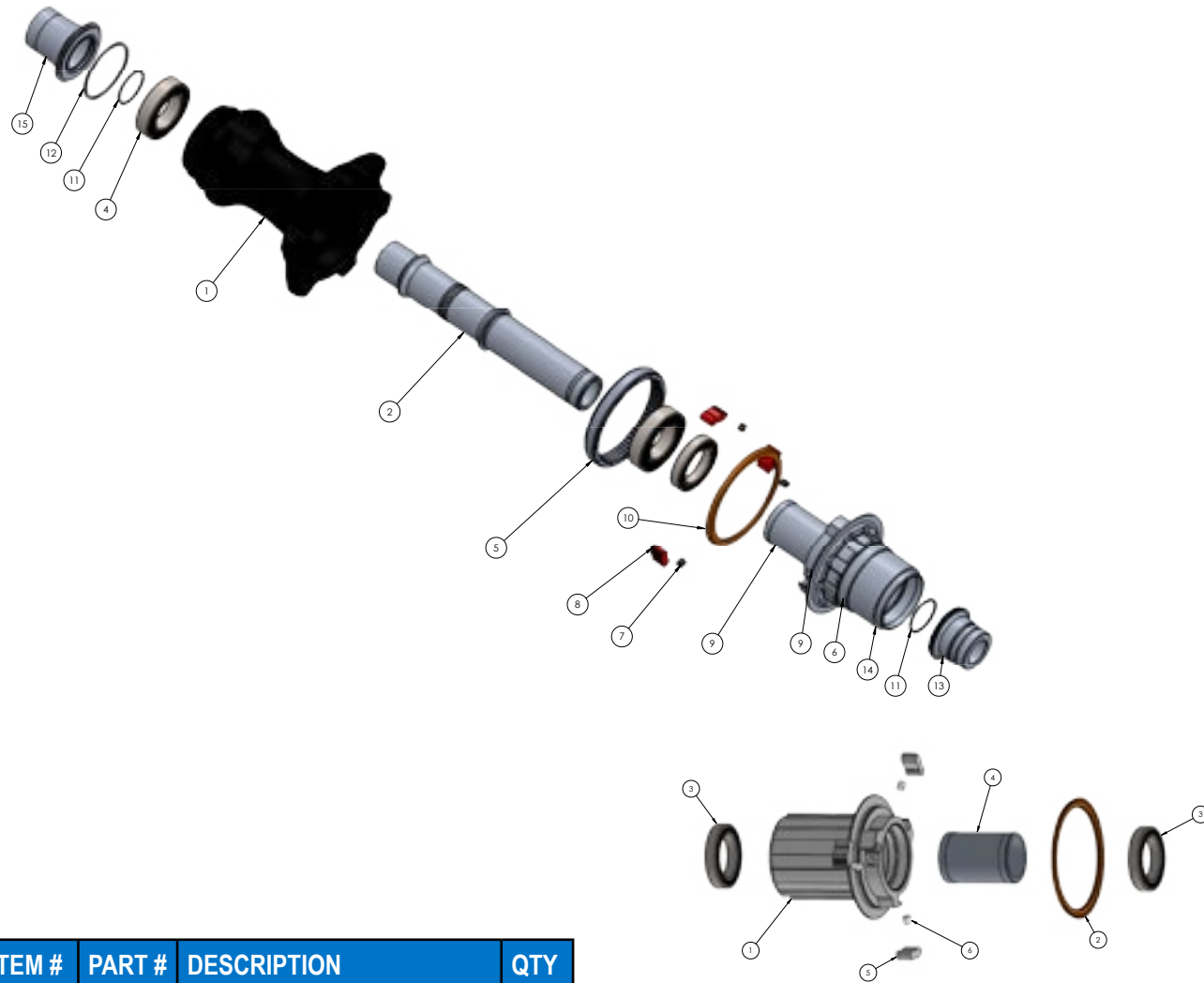


ITEM #	PART #	DESCRIPTION	QTY
1	N/A	Hub Shell	
2	21791	AXLE, i9 DB REAR CL 15/12/135	1
3	20168	BEARING, ENDURO 61903 ABEC 5	1
4	20185	BEARING, MR17287	1
5	21771	RATCHET RING i9	1
6	21856	FREEHUB, i9 RB/DB SHIM 10/11SP	1
7	20167	BEARING, ENDURO 61803 ABEC 5	1
8	21871	END CAP, i9 DB REAR TA 12x142	1
9	N/A	See Item 8	
10	21847	HUB, i9 ROAD 3 PAWL SPRING KIT	1
11	N/A	Pawl	
12	21793	SPACER, i9 REAR AXLE	1
13	N/A	Seal Ring	
14	N/A	o-ring	
15	N/A	teflon seal	
16	N/A	teflon seal	

ITEM #	PART #	DESCRIPTION	QTY
1	21856	FREEHUB, i9 RB/DB SHIM 10/11SP	1
	21857	FREEHUB, i9 RB/DB XDR 11/12SPD	1
	21858	FREEHUB, i9 RB/DB CAMPY 11 SPD	1
	423-39272	FREEHUB, i9 CAMPY N3W TORCH 13SPD W/DS E	1
2	N/A	SEAL RING	
3	20167	BEARING, ENDURO 61803 ABEC 5	2
4	21793	SPACER, i9 REAR AXLE	1
5	N/A	PAWL	
6	21847	HUB, i9 ROAD 3 PAWL SPRING KIT	1

I9 DISC BRAKE CL 14212 XDR 24H

NOTES



ITEM #	PART #	DESCRIPTION	QTY
1	N/A	Hub Shell	
2	21791	AXLE, i9 DB REAR CL 15/12/135	1
3	20168	BEARING, ENDURO 61903 ABEC 5	1
4	20185	BEARING, MR17287	1
5	21771	RATCHET RING i9	1
6	20167	BEARING, ENDURO 61803 ABEC 5	1
7	21847	HUB, i9 ROAD 3 PAWL SPRING KIT	1
8	N/A	Pawl	
9	21793	SPACER, i9 REAR AXLE	1
10	N/A	Seal Ring	
11	N/A	o-ring	
12	N/A	teflon seal	
13	21871	END CAP, i9 DB REAR TA 12x142	1
14	21857	FREEHUB, i9 RB/DB XDR 11/12SPD	1
15	N/A	See 13	

ITEM #	PART #	DESCRIPTION	QTY
1	21856	FREEHUB, i9 RB/DB SHIM 10/11SP	1
	21857	FREEHUB, i9 RB/DB XDR 11/12SPD	1
	21858	FREEHUB, i9 RB/DB CAMPY 11 SPD	1
	423-39272	FREEHUB, i9 CAMPY N3W TORCH 13SPD W/DS E	1
2	N/A	SEAL RING	
3	20167	BEARING, ENDURO 61803 ABEC 5	2
4	21793	SPACER, i9 REAR AXLE	1
5	N/A	PAWL	
6	21847	HUB, i9 ROAD 3 PAWL SPRING KIT	1

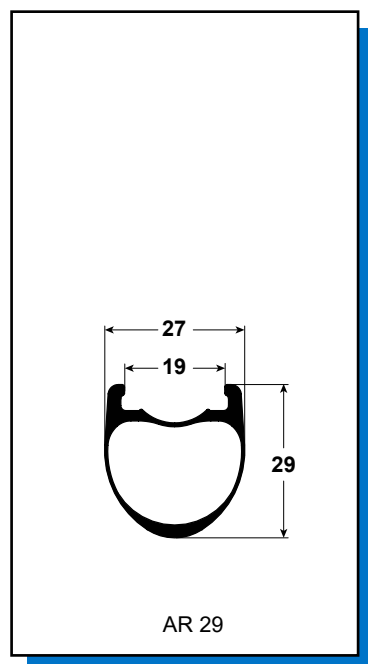
WARNING: The information contained herein is proprietary and confidential to Reynolds Cycling and Reynolds Cycling affiliates. This document is not intended for public distribution or disclosure. This document may be referenced and reproduced for and by Reynolds Cycling and Reynolds Cycling affiliates only.

AR29 TUBELESS CLINCHER

78261	WS, AR29 TL RB SHIM 20/24	
78263	W, AR29 TL RB FRONT 20H	1
58283	D RIM, AR29 TL RB 20H	1
20918	RIM TAPE, TL 22MM 5.5M INSTALLED	1
22105	HUB, GW RB FRNT 5/100 20H	1
22416	SPOKE, SPM SPRINT SP 284MM BLK	20
20355	NIPPLE,EXT BLACK BRASS SQ HEAD	20
22323	DECAL, AR29 RB	1
20635	DECAL, BRAKE WEAR	1
20008	DECAL, REGISTER WHEELS	1
20332	WHEEL RAP HANG TAG	1
20119	BOX, TW DBLE WHL RNLD BOX 2016	0.5
78264	W, AR29 TL RB SHIMANO 24H	1
58284	D RIM, AR29 TL RB 24H	1
20918	RIM TAPE, TL 22MM 5.5M INSTALLED	1
22106	HUB, GW RB SHIM 5/130 24H	1
22419	SPOKE, SPM SPRINT SP 290MM BLK	12
22430	SPOKE, SPM SPRINT SP 293MM BLK	12
20355	NIPPLE,EXT BLACK BRASS SQ HEAD	24
22323	DECAL, AR29 RB	1
20635	DECAL, BRAKE WEAR	1
20008	DECAL, REGISTER WHEELS	1
20332	WHEEL RAP HANG TAG	1
20119	BOX, TW DBLE WHL RNLD BOX 2016	0.5
85410	W ACC KIT, ATTACK C RB TL F SHI	1
3040	9 X 12 X 4MIL ZIP LOCK BAG	1
20333	REYNOLDS NEW PROD WEBSITE CARD	1
21011	VALVE STEM, TUBELESS 45MM LONG	1
21880	BRAKE PADS CRYO PWR SHIM (PAIR)	1
20813	FRONT SKEWER MID-LEVEL	1
85589	W ACC KIT, ATTACK RB TL SHIM	1
3040	9 X 12 X 4MIL ZIP LOCK BAG	1
20333	REYNOLDS NEW PROD WEBSITE CARD	1
21011	VALVE STEM, TUBELESS 45MM LONG	1
21880	BRAKE PADS CRYO PWR SHIM (PAIR)	1
20814	REAR SKEWER MID-LEVEL	1

FREEHUB OPTIONS

22099	SPACER, GW RED 17.5*15*2.1mm
22129	END CAP, GW RB FRNT QR 9/100
22130	END CAP, GW RB REAR QR 9/130
22568	FREEHUB, GW TR3 CAMPY 4 PAWL 3 BEARING
22569	FREEHUB, GW TR3 SPL 4 PAWL 3 BEARING
22570	FREEHUB, GW TR3 XDR 4 PAWL 3 BEARING
22159	AXLE, GW RB REAR 15/20/120 ALLOY 130
22160	AXLE, GW FRONT QR
22162	SPACER, GW REAR AXLE
22163	SEAL, GW REAR HUB NDS
22162	SPACER, GW REAR AXLE
22163	SEAL, GW REAR HUB NDS

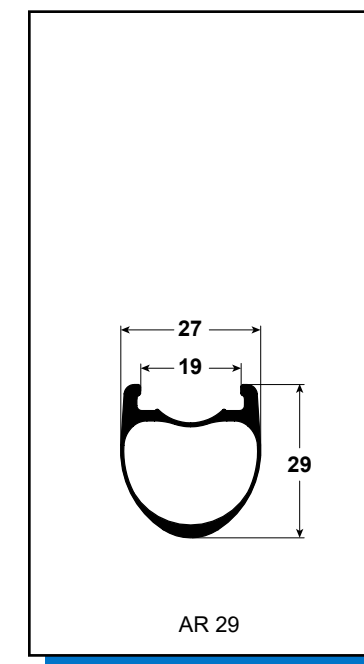


AR29 X TUBELESS CLINCHER

78281	WS, AR29x TL RB SHIM 20/24	
78283	W, AR29x TL RB FRONT 20H	1
68283	D RIM, HiO AR29 TL RB 20H	1
20918	RIM TAPE, TL 22MM 5.5M INSTALLED	1
22105	HUB, GW RB FRNT 5/100 20H	1
21558	SPOKE, SPM CXSPNT SP 284MM BLK	20
20311	NIPPLE,EXT BLACK ALLOY SQ HEAD	20
20635	DECAL, BRAKE WEAR	1
20008	DECAL, REGISTER WHEELS	1
20332	WHEEL RAP HANG TAG	1
20119	BOX, TW DBLE WHL RNLD BOX 2016	0.5
78284	W, AR29x TL RB SHIMANO 24H	1
68284	D RIM, HiO AR29 TL RB 24H	1
20918	RIM TAPE, TL 22MM 5.5M INSTALLED	1
22106	HUB, GW RB SHIM 5/130 24H	1
21649	SPOKE, SPM CXSPNT SP 293MM BLK	12
21665	SPOKE, SPM CXSPNT SP 290MM BLK	12
20311	NIPPLE,EXT BLACK ALLOY SQ HEAD	24
20635	DECAL, BRAKE WEAR	1
20008	DECAL, REGISTER WHEELS	1
20332	WHEEL RAP HANG TAG	1
20119	BOX, TW DBLE WHL RNLD BOX 2016	0.5
85410	W ACC KIT, ATTACK C RB TL F SHI	1
3040	9 X 12 X 4MIL ZIP LOCK BAG	1
20333	REYNOLDS NEW PROD WEBSITE CARD	1
21011	VALVE STEM, TUBELESS 45MM LONG	1
21880	BRAKE PADS CRYO PWR SHIM (PAIR)	1
20813	FRONT SKEWER MID-LEVEL	1
85589	W ACC KIT, ATTACK RB TL SHIM	1
3040	9 X 12 X 4MIL ZIP LOCK BAG	1
20333	REYNOLDS NEW PROD WEBSITE CARD	1
21011	VALVE STEM, TUBELESS 45MM LONG	1
21880	BRAKE PADS CRYO PWR SHIM (PAIR)	1
20814	REAR SKEWER MID-LEVEL	1

FREEHUB OPTIONS

22099	SPACER, GW RED 17.5*15*2.1mm
22129	END CAP, GW RB FRNT QR 9/100
22130	END CAP, GW RB REAR QR 9/130
22568	FREEHUB, GW TR3 CAMPY 4 PAWL 3 BEARING
22569	FREEHUB, GW TR3 SPL 4 PAWL 3 BEARING
22570	FREEHUB, GW TR3 XDR 4 PAWL 3 BEARING
22159	AXLE, GW RB REAR 15/20/120 ALLOY 130
22160	AXLE, GW FRONT QR
22162	SPACER, GW REAR AXLE
22163	SEAL, GW REAR HUB NDS
22162	SPACER, GW REAR AXLE
22163	SEAL, GW REAR HUB NDS

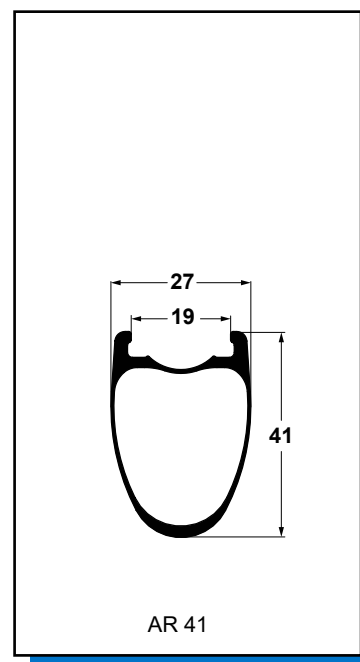


AR41 TUBELESS CLINCHER

78381	WS, AR41x TL RB SHIM 20/24	
78383	W, AR41x TL RB FRONT 20H	1
68383	D RIM, HiO AR41 TL RB 20H	1
20918	RIM TAPE, TL 22MM 5.5M INSTALLED	1
22105	HUB, GW RB FRNT 5/100 20H	1
21668	SPOKE, SPM CXSPNT SP 273MM BLK	20
20311	NIPPLE,EXT BLACK ALLOY SQ HEAD	20
20635	DECAL, BRAKE WEAR	1
20008	DECAL, REGISTER WHEELS	1
20332	WHEEL RAP HANG TAG	1
20119	BOX, TW DBLE WHL RNLD BOX 2016	0.5
78384	W, AR41x TL RB SHIMANO 24H	1
68384	D RIM, HiO AR41 TL RB 24H	1
20918	RIM TAPE, TL 22MM 5.5M INSTALLED	1
22106	HUB, GW RB SHIM 5/130 24H	1
21557	SPOKE, SPM CXSPNT SP 282MM BLK	12
21564	SPOKE, SPM CXSPNT SP 279MM BLK	12
20311	NIPPLE,EXT BLACK ALLOY SQ HEAD	24
20635	DECAL, BRAKE WEAR	1
20008	DECAL, REGISTER WHEELS	1
20332	WHEEL RAP HANG TAG	1
20119	BOX, TW DBLE WHL RNLD BOX 2016	0.5
85442	W ACC KIT, ASLT C RB TL F SHIM	1
3040	9 X 12 X 4MIL ZIP LOCK BAG	1
20333	REYNOLDS NEW PROD WEBSITE CARD	1
21012	VALVE STEM, TUBELESS 55MM LONG	1
21880	BRAKE PADS CRYO PWR SHIM (PAIR)	1
20813	FRONT SKEWER MID-LEVEL	1
85591	W ACC KIT, ASSAULT RB TL SHIM	1
3040	9 X 12 X 4MIL ZIP LOCK BAG	1
20333	REYNOLDS NEW PROD WEBSITE CARD	1
21012	VALVE STEM, TUBELESS 55MM LONG	1
21880	BRAKE PADS CRYO PWR SHIM (PAIR)	1
20814	REAR SKEWER MID-LEVEL	1

FREEHUB OPTIONS

22099	SPACER, GW RED 17.5*15*2.1mm
22129	END CAP, GW RB FRNT QR 9/100
22130	END CAP, GW RB REAR QR 9/130
22568	FREEHUB, GW TR3 CAMPY 4 PAWL 3 BEARING
22569	FREEHUB, GW TR3 SPL 4 PAWL 3 BEARING
22570	FREEHUB, GW TR3 XDR 4 PAWL 3 BEARING
22159	AXLE, GW RB REAR 15/20/120 ALLOY 130
22160	AXLE, GW FRONT QR
22162	SPACER, GW REAR AXLE
22163	SEAL, GW REAR HUB NDS
22162	SPACER, GW REAR AXLE
22163	SEAL, GW REAR HUB NDS

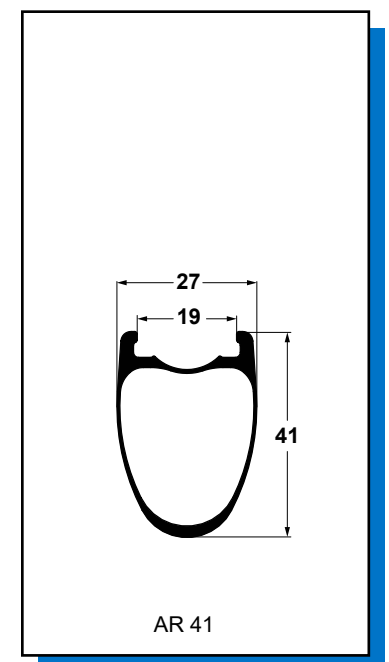


AR41 X TUBELESS CLINCHER

78381	WS, AR41x TL RB SHIM 20/24	
78383	W, AR41x TL RB FRONT 20H	1
68383	D RIM, HiO AR41 TL RB 20H	1
20918	RIM TAPE, TL 22MM 5.5M INSTALLED	1
22105	HUB, GW RB FRNT 5/100 20H	1
21668	SPOKE, SPM CXSPNT SP 273MM BLK	20
20311	NIPPLE,EXT BLACK ALLOY SQ HEAD	20
20635	DECAL, BRAKE WEAR	1
20008	DECAL, REGISTER WHEELS	1
20332	WHEEL RAP HANG TAG	1
20119	BOX, TW DBLE WHL RNLD BOX 2016	0.5
78384	W, AR41x TL RB SHIMANO 24H	1
68384	D RIM, HiO AR41 TL RB 24H	1
20918	RIM TAPE, TL 22MM 5.5M INSTALLED	1
22106	HUB, GW RB SHIM 5/130 24H	1
21557	SPOKE, SPM CXSPNT SP 282MM BLK	12
21564	SPOKE, SPM CXSPNT SP 279MM BLK	12
20311	NIPPLE,EXT BLACK ALLOY SQ HEAD	24
20635	DECAL, BRAKE WEAR	1
20008	DECAL, REGISTER WHEELS	1
20332	WHEEL RAP HANG TAG	1
20119	BOX, TW DBLE WHL RNLD BOX 2016	0.5
85442	W ACC KIT, ASLT C RB TL F SHIM	1
3040	9 X 12 X 4MIL ZIP LOCK BAG	1
20333	REYNOLDS NEW PROD WEBSITE CARD	1
21012	VALVE STEM, TUBELESS 55MM LONG	1
21880	BRAKE PADS CRYO PWR SHIM (PAIR)	1
20813	FRONT SKEWER MID-LEVEL	1
85591	W ACC KIT, ASSAULT RB TL SHIM	1
3040	9 X 12 X 4MIL ZIP LOCK BAG	1
20333	REYNOLDS NEW PROD WEBSITE CARD	1
21012	VALVE STEM, TUBELESS 55MM LONG	1
21880	BRAKE PADS CRYO PWR SHIM (PAIR)	1
20814	REAR SKEWER MID-LEVEL	1

FREEHUB OPTIONS

22099	SPACER, GW RED 17.5*15*2.1mm
22129	END CAP, GW RB FRNT QR 9/100
22130	END CAP, GW RB REAR QR 9/130
22568	FREEHUB, GW TR3 CAMPY 4 PAWL 3 BEARING
22569	FREEHUB, GW TR3 SPL 4 PAWL 3 BEARING
22570	FREEHUB, GW TR3 XDR 4 PAWL 3 BEARING
22159	AXLE, GW RB REAR 15/20/120 ALLOY 130
22160	AXLE, GW FRONT QR
22162	SPACER, GW REAR AXLE
22163	SEAL, GW REAR HUB NDS
22162	SPACER, GW REAR AXLE
22163	SEAL, GW REAR HUB NDS

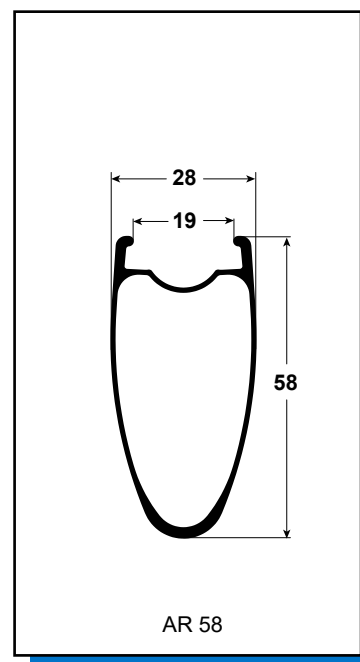


AR58 TUBELESS CLINCHER

78431	WS, AR58 TL RB SHIM 20/24	
78433	W, AR58 TL RB FRONT 20H	1
58484	D RIM, AR58 TL RB 20H	1
20918	RIM TAPE, TL 22MM 5.5M INSTALLED	1
22105	HUB, GW RB FRNT 5/100 20H	1
22400	SPOKE, SPM SPRINT SP 255MM BLK	20
20355	NIPPLE,EXT BLACK BRASS SQ HEAD	20
22329	DECAL, AR58 RB	1
20635	DECAL, BRAKE WEAR	1
20008	DECAL, REGISTER WHEELS	1
20332	WHEEL RAP HANG TAG	1
20119	BOX, TW DBLE WHL RNLD BOX 2016	0.5
78434	W, AR58 TL RB SHIMANO 24H	1
58485	D RIM, AR58 TL RB 24H	1
20918	RIM TAPE,TL 22MM 5.5M INSTALED	1
22106	HUB, GW RB SHIM 5/130 24H	1
22392	SPOKE, SPM SPRINT SP 260MM BLK	12
22396	SPOKE, SPM SPRINT SP 264MM BLK	12
20355	NIPPLE,EXT BLACK BRASS SQ HEAD	24
22329	DECAL, AR58 RB	1
20635	DECAL, BRAKE WEAR	1
20008	DECAL, REGISTER WHEELS	1
20332	WHEEL RAP HANG TAG	1
20119	BOX, TW DBLE WHL RNLD BOX 2016	0.5
85416	W ACC KIT,STRIKE C RB TL F SHI	1
3040	9 X 12 X 4MIL ZIP LOCK BAG	1
20333	REYNOLDS NEW PROD WEBSITE CARD	1
21013	VALVE STEM, TUBELESS 75MM LONG	1
21880	BRAKE PADS CRYO PWR SHIM (PAIR)	1
20813	FRONT SKEWER MID-LEVEL	1
85593	W ACC KIT, STRIKE RB SHIM	1
3040	9 X 12 X 4MIL ZIP LOCK BAG	1
20333	REYNOLDS NEW PROD WEBSITE CARD	1
21013	VALVE STEM, TUBELESS 75MM LONG	1
21880	BRAKE PADS CRYO PWR SHIM (PAIR)	1
20814	REAR SKEWER MID-LEVEL	1

FREEHUB OPTIONS

22099	SPACER, GW RED 17.5*15*2.1mm
22129	END CAP, GW RB FRNT QR 9/100
22130	END CAP, GW RB REAR QR 9/130
22568	FREEHUB, GW TR3 CAMPY 4 PAWL 3 BEARING
22569	FREEHUB, GW TR3 SPL 4 PAWL 3 BEARING
22570	FREEHUB, GW TR3 XDR 4 PAWL 3 BEARING
22159	AXLE, GW RB REAR 15/20/120 ALLOY 130
22160	AXLE, GW FRONT QR
22162	SPACER, GW REAR AXLE
22163	SEAL, GW REAR HUB NDS
22162	SPACER, GW REAR AXLE
22163	SEAL, GW REAR HUB NDS

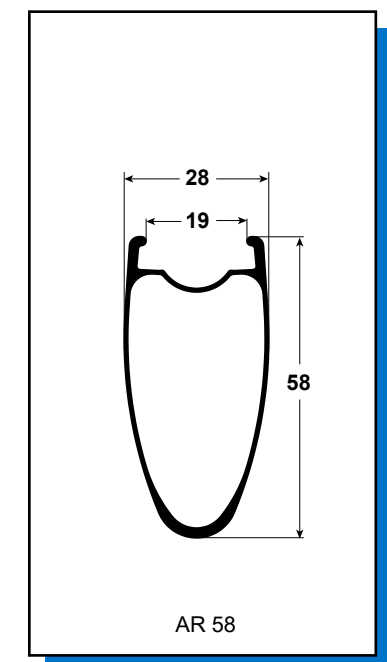


AR58 X TUBELESS CLINCHER

78481	WS, AR58x TL RB SHIM 20/24	
78483	W, AR58x TL RB FRONT 20H	1
68484	D RIM, H/O AR58 TL RB 20H	1
20918	RIM TAPE, TL 22MM 5.5M INSTALLED	1
22105	HUB, GW RB FRNT 5/100 20H	1
21662	SPOKE, SPM CXSPNT SP 255MM BLK	20
20311	NIPPLE,EXT BLACK ALLOY SQ HEAD	24
20635	DECAL, BRAKE WEAR	1
20008	DECAL, REGISTER WHEELS	1
20332	WHEEL RAP HANG TAG	1
20119	BOX, TW DBLE WHL RNLD BOX 2016	0.5
78484	W, AR58x TL RB SHIMANO 24H	1
68485	D RIM, H/O AR58 TL RB 24H	1
20918	RIM TAPE,TL 22MM 5.5M INSTALED	1
22106	HUB, GW RB SHIM 5/130 24H	1
21551	SPOKE, SPM CXSPNT SP 260MM BLK	12
21647	SPOKE, SPM CXSPNT SP 264MM BLK	12
20311	NIPPLE,EXT BLACK ALLOY SQ HEAD	24
20635	DECAL, BRAKE WEAR	1
20008	DECAL, REGISTER WHEELS	1
20332	WHEEL RAP HANG TAG	1
20119	BOX, TW DBLE WHL RNLD BOX 2016	0.5
85416	W ACC KIT,STRIKE C RB TL F SHI	1
3040	9 X 12 X 4MIL ZIP LOCK BAG	1
20333	REYNOLDS NEW PROD WEBSITE CARD	1
21013	VALVE STEM, TUBELESS 75MM LONG	1
21880	BRAKE PADS CRYO PWR SHIM (PAIR)	1
20813	FRONT SKEWER MID-LEVEL	1
85593	W ACC KIT, STRIKE RB SHIM	1
3040	9 X 12 X 4MIL ZIP LOCK BAG	1
20333	REYNOLDS NEW PROD WEBSITE CARD	1
21013	VALVE STEM, TUBELESS 75MM LONG	1
21880	BRAKE PADS CRYO PWR SHIM (PAIR)	1
20814	REAR SKEWER MID-LEVEL	1

FREEHUB OPTIONS

22099	SPACER, GW RED 17.5*15*2.1mm
22129	END CAP, GW RB FRNT QR 9/100
22130	END CAP, GW RB REAR QR 9/130
22568	FREEHUB, GW TR3 CAMPY 4 PAWL 3 BEARING
22569	FREEHUB, GW TR3 SPL 4 PAWL 3 BEARING
22570	FREEHUB, GW TR3 XDR 4 PAWL 3 BEARING
22159	AXLE, GW RB REAR 15/20/120 ALLOY 130
22160	AXLE, GW FRONT QR
22162	SPACER, GW REAR AXLE
22163	SEAL, GW REAR HUB NDS
22162	SPACER, GW REAR AXLE
22163	SEAL, GW REAR HUB NDS

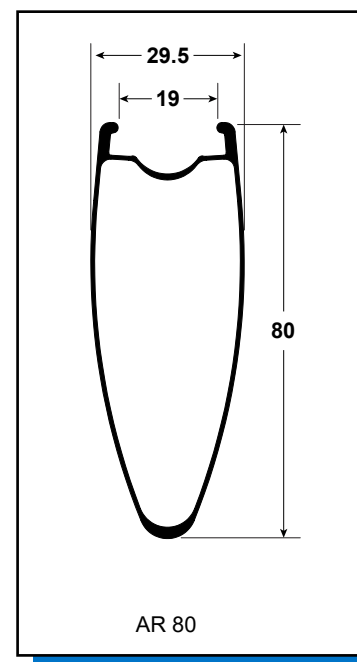


AR80 TUBELESS CLINCHER

78846	WS, AR80 DB SHIMANO 24/24H	
78848	W, AR80 DB FRONT 24H	1
58849	D RIM, AR80 TL DB 24H EXT	1
20918	RIM TAPE, TL 22MM 5.5M INSTALED	1
22142	HUB, GW TR3 FRNT DB 12/100 24H	1
22386	SPOKE, SPM SPRINT SP 244MM BLK	12
22385	SPOKE, SPM SPRINT SP 243MM BLK	12
20355	NIPPLE, EXT BLACK BRASS SQ HEAD	24
22122	END CAP, GW DB FRNT 15MM TA	1
22311	DECAL, AR80	1
20007	DECAL, NOT INTENDED FOR RB USE	1
20008	DECAL, REGISTER WHEELS	1
20332	WHEEL RAP HANG TAG	1
20119	BOX, TW DBLE WHL RNLD BOX 2016	0.5
85542	W ACC KIT, AM DB 100MM BRASS TL	1
3040	9 X 12 X 4MIL ZIP LOCK BAG	1
20333	REYNOLDS NEW PROD WEBSITE CARD	1
21787	VALVE STEM, TL BRASS 100MM LONG	1
78849	W, AR80 DB SHIMANO 24H	1
58849	D RIM, AR80 TL DB 24H EXT	1
20918	RIM TAPE, TL 22MM 5.5M INSTALLED	1
22143	HUB, GW TR3 SHIM DB 142/12 24H	1
22386	SPOKE, SPM SPRINT SP 244MM BLK	12
22434	SPOKE, SPM SPRINT SP 240MM BLK	12
20355	NIPPLE, EXT BLACK BRASS SQ HEAD	24
22311	DECAL, AR80	1
20007	DECAL, NOT INTENDED FOR RB USE	1
20008	DECAL, REGISTER WHEELS	1
20332	WHEEL RAP HANG TAG	1
20119	BOX, TW DBLE WHL RNLD BOX 2016	0.5
85542	W ACC KIT, AM DB 100MM BRASS TL	1
3040	9 X 12 X 4MIL ZIP LOCK BAG	1
20333	REYNOLDS NEW PROD WEBSITE CARD	1
21787	VALVE STEM, TL BRASS 100MM LONG	1

FREEHUB OPTIONS

22099	SPACER, GW RED 17.5*15*2.1mm
22129	END CAP, GW RB FRNT QR 9/100
22130	END CAP, GW RB REAR QR 9/130
22568	FREEHUB, GW TR3 CAMPY 4 PAWL 3 BEARING
22569	FREEHUB, GW TR3 SPL 4 PAWL 3 BEARING
22570	FREEHUB, GW TR3 XDR 4 PAWL 3 BEARING
22159	AXLE, GW RB REAR 15/20/120 ALLOY 130
22160	AXLE, GW FRONT QR
22162	SPACER, GW REAR AXLE
22163	SEAL, GW REAR HUB NDS
22162	SPACER, GW REAR AXLE
22163	SEAL, GW REAR HUB NDS

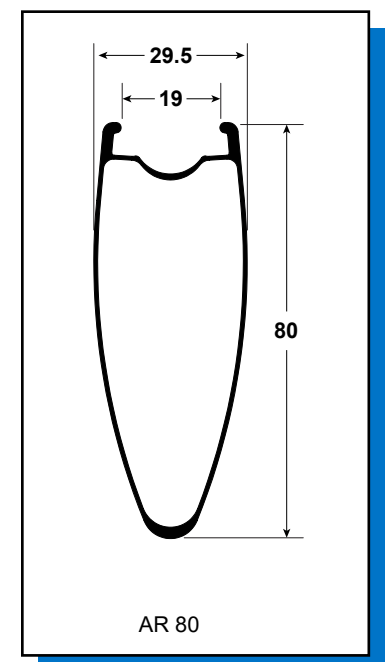


AR80 X TUBELESS CLINCHER

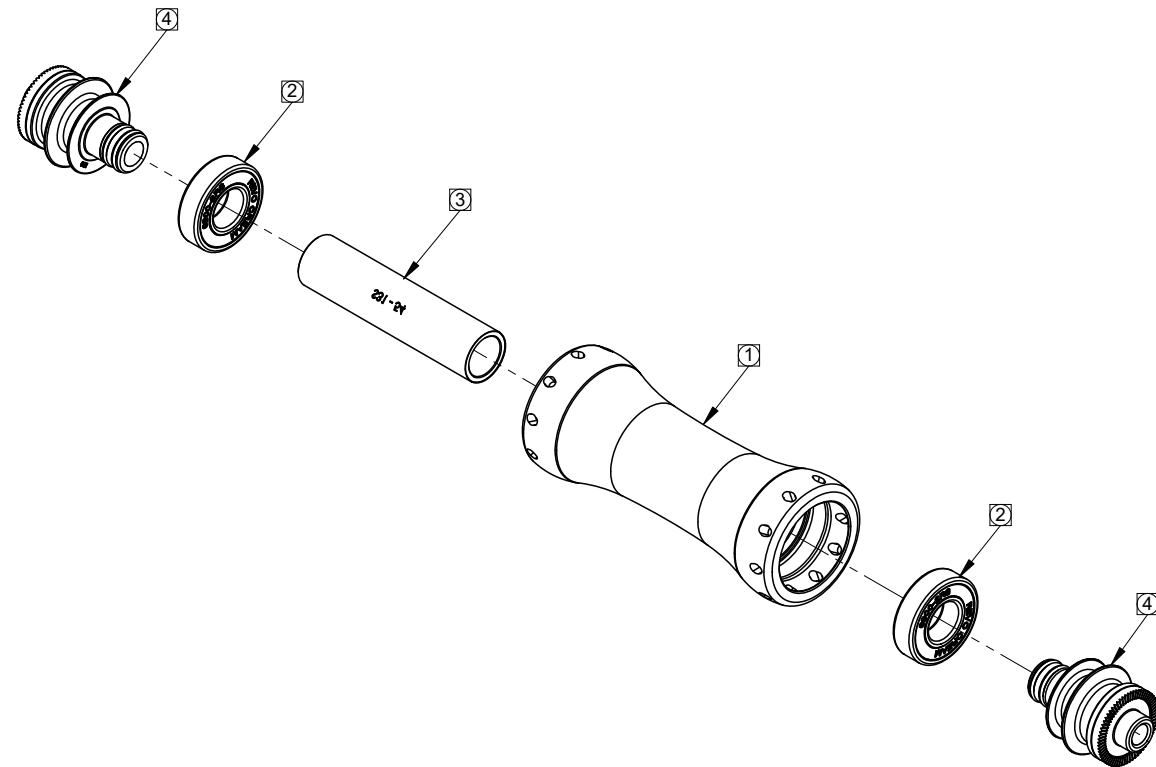
78891	WS, AR80x RB SHIMANO 20/24H	
78893	W, AR80x RB FRONT 20H	1
68843	D RIM, H2O AR80 TL RB 20H EXT	1
20918	RIM TAPE, TL 22MM 5.5M INSTALLED	1
22105	HUB, GW RB FRNT 5/100 20H	1
21717	SPOKE, SPM CXSPNT SP 235MM BLK	20
20311	NIPPLE, EXT BLACK ALLOY SQ HEAD	20
20813	FRONT SKEWER MID-LEVEL	1
20635	DECAL, BRAKE WEAR	1
20008	DECAL, REGISTER WHEELS	1
20332	WHEEL RAP HANG TAG	1
20119	BOX, TW DBLE WHL RNLD BOX 2016	0.5
85535	W ACC KIT, RB 100MM ALLOY TL	1
3040	9 X 12 X 4MIL ZIP LOCK BAG	1
20333	REYNOLDS NEW PROD WEBSITE CARD	1
21777	VALVE STEM, TL ALLOY 100MM LONG	1
21880	BRAKE PADS CRYO PWR SHIM (PAIR)	1
78894	W, AR80x RB SHIMANO 24H	1
68844	D RIM, H2O AR80 TL RB 24H EXT	1
20918	RIM TAPE, TL 22MM 5.5M INSTALED	1
22106	HUB, GW RB SHIM 5/130 24H	1
21722	SPOKE, SPM CXSPNT SP 240MM BLK	12
21707	SPOKE, SPM CXSPNT SP 245MM BLK	12
20311	NIPPLE, EXT BLACK ALLOY SQ HEAD	24
20814	REAR SKEWER MID-LEVEL	1
20635	DECAL, BRAKE WEAR	1
20008	DECAL, REGISTER WHEELS	1
20332	WHEEL RAP HANG TAG	1
20119	BOX, TW DBLE WHL RNLD BOX 2016	0.5
85535	W ACC KIT, RB 100MM ALLOY TL	1
3040	9 X 12 X 4MIL ZIP LOCK BAG	1
20333	REYNOLDS NEW PROD WEBSITE CARD	1
21777	VALVE STEM, TL ALLOY 100MM LONG	1
21880	BRAKE PADS CRYO PWR SHIM (PAIR)	1

FREEHUB OPTIONS

22099	SPACER, GW RED 17.5*15*2.1mm
22129	END CAP, GW RB FRNT QR 9/100
22130	END CAP, GW RB REAR QR 9/130
22568	FREEHUB, GW TR3 CAMPY 4 PAWL 3 BEARING
22569	FREEHUB, GW TR3 SPL 4 PAWL 3 BEARING
22570	FREEHUB, GW TR3 XDR 4 PAWL 3 BEARING
22159	AXLE, GW RB REAR 15/20/120 ALLOY 130
22160	AXLE, GW FRONT QR
22162	SPACER, GW REAR AXLE
22163	SEAL, GW REAR HUB NDS
22162	SPACER, GW REAR AXLE
22163	SEAL, GW REAR HUB NDS

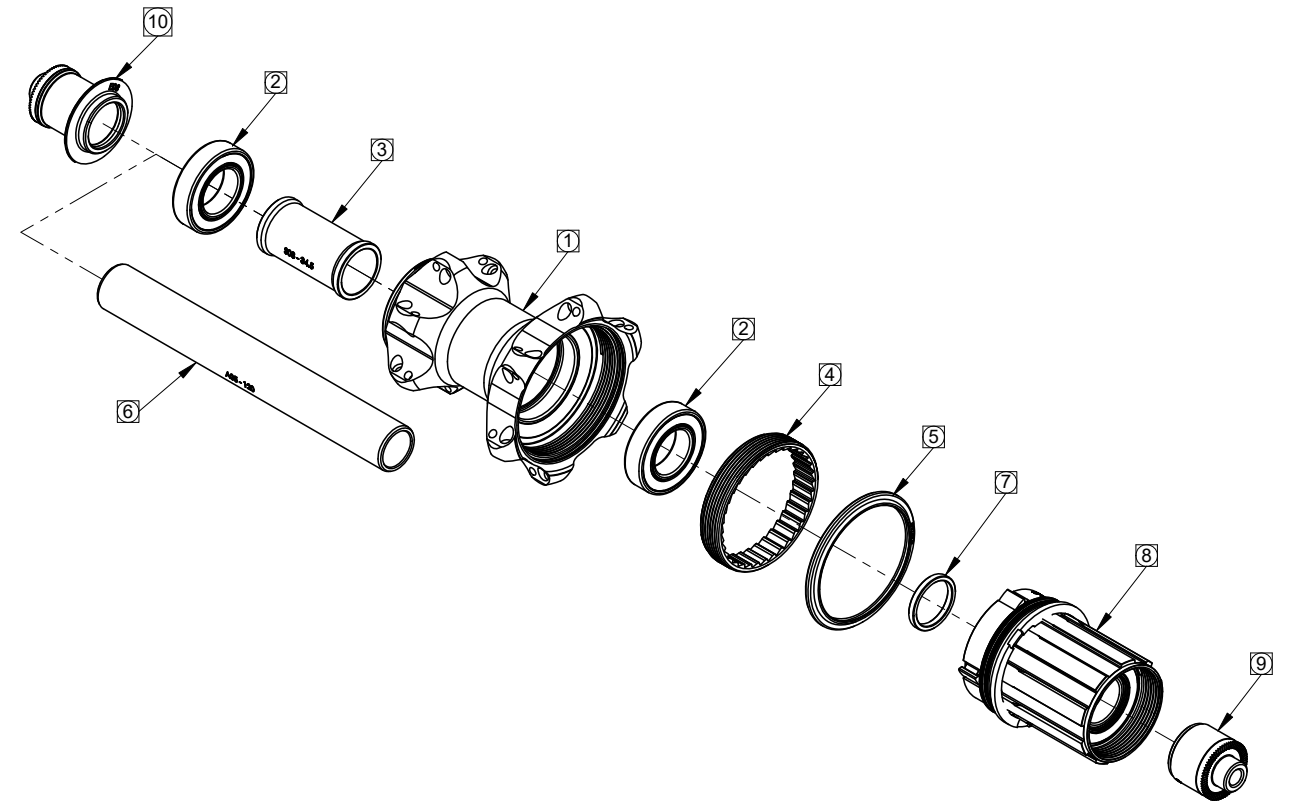


GW RB FRNT 9100 SP 20H



ITEM #	PART #	DESCRIPTION	QTY
1	N/A	Hub Shell	1
2	20154	BEARING, 6900	2
3	22160	AXLE, GW FRONT QR	1
4	22129	END CAP, GW RB FRNT QR 9/100	1

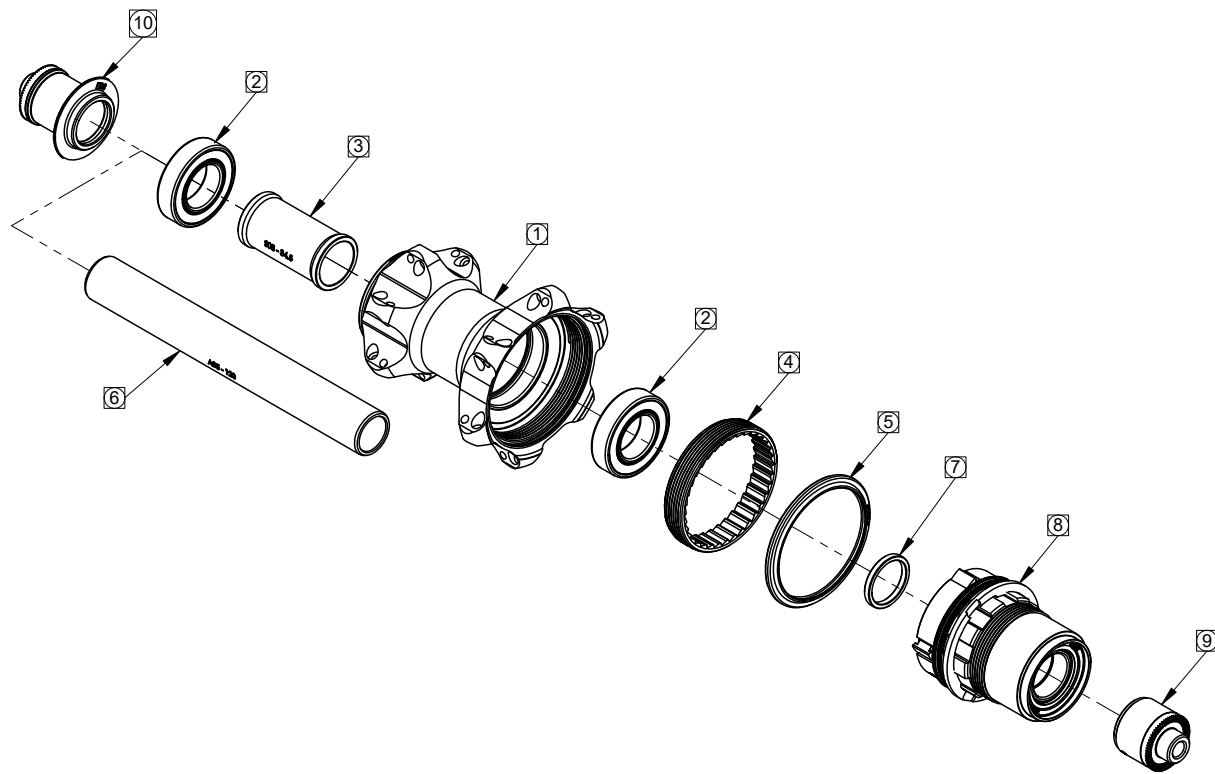
GW RB SHIM 9130 SP 24H



ITEM #	PART #	DESCRIPTION	QTY
1	N/A	Hub Shell	
2	20156	BEARING, 6902, ENDURO	2
3	22162	SPACER, GW REAR AXLE	1
4	N/A	RATCHET RING	
5	N/A	Seal Ring	1
6	22159	AXLE, GW RB REAR 15/20/120 ALLOY 130	1
7	22099	SPACER, GW, RED 17.5*15*2.1 mm	1
8	22569	FREEHUB, GW TR3 SPL 4 PAWL 3 BEARING	1
9	22130	END CAP, GW RB REAR QR 9/130	1
10	N/A	See 9	

ITEM #	PART #	DESCRIPTION	QTY
1	22569	FREEHUB, GW TR3 SPL 4 PAWL 3 BEARING	1
	22570	FREEHUB, GW TR3 XDR 4 PAWL 3 BEARING	1
	22568	FREEHUB, GW TR3 CAMPY 4 PAWL 3 BEARING	1
	423-39079	FREEHUB, GW CAMPY N3W 11-13SPD 4 PAWL 3 BEARING	1
2	N/A	SEAL RING	

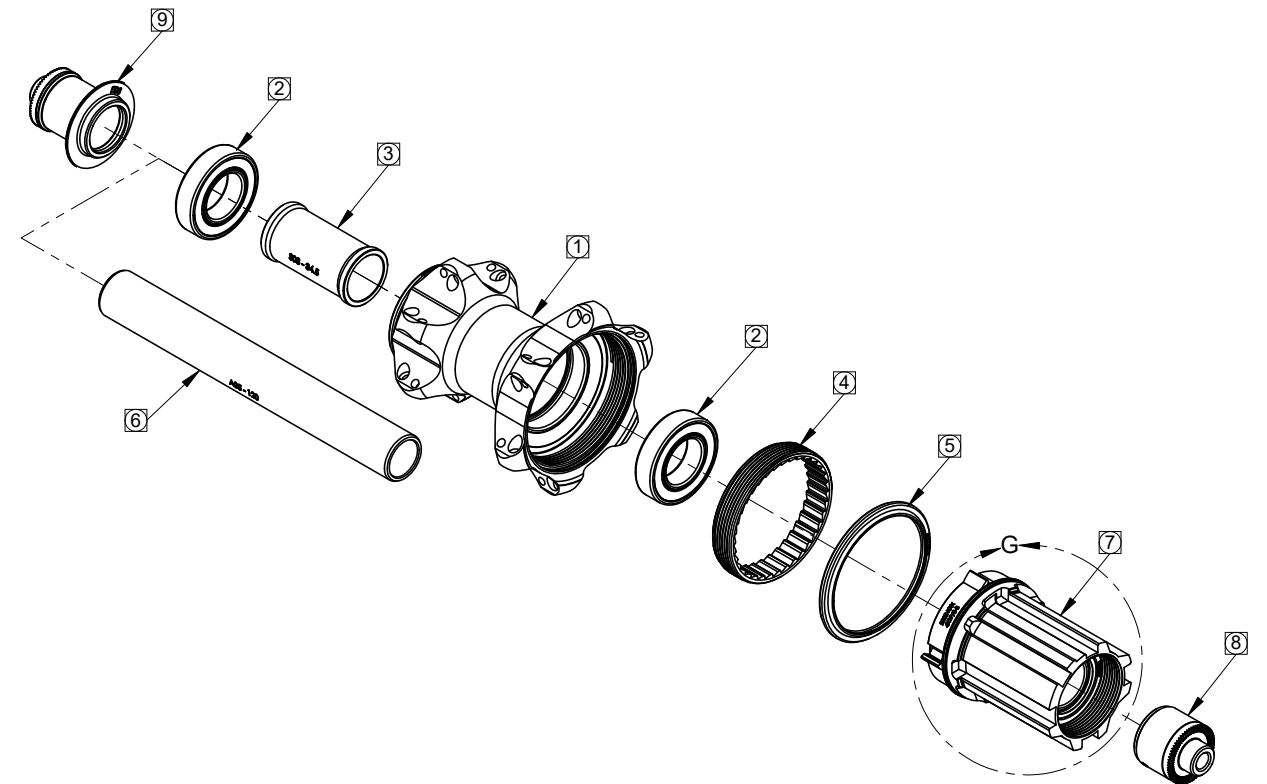
GW CL RB XDR 9130 SP 24H



ITEM #	PART #	DESCRIPTION	QTY
1	N/A	Hub Shell	
2	20156	BEARING, 6902, ENDURO	2
3	22162	SPACER, GW REAR AXLE	1
4	N/A	RATCHET RING	
5	N/A	Seal Ring	1
6	22159	AXLE, GW RB REAR 15/20/120 ALLOY 130	1
7	22099	SPACER, GW, RED 17.5*15*2.1 mm	1
8	22570	FREEHUB, GW TR3 XDR 4 PAWL 3 BEARING	1
9	22130	END CAP, GW RB REAR QR 9/130	1
10	N/A	See 9	

ITEM #	PART #	DESCRIPTION	QTY
1	22569	FREEHUB, GW TR3 SPL 4 PAWL 3 BEARING	1
	22570	FREEHUB, GW TR3 XDR 4 PAWL 3 BEARING	1
	22568	FREEHUB, GW TR3 CAMPY 4 PAWL 3 BEARING	1
	423-39079	FREEHUB, GW CAMPY N3W 11-13SPD 4 PAWL 3 BEARING	1
2	N/A	SEAL RING	

GW RB CAMPY 9130 SP 24H



ITEM #	PART #	DESCRIPTION	QTY
1	N/A	Hub Shell	
2	20156	BEARING, 6902, ENDURO	2
3	22162	SPACER, GW REAR AXLE	1
4	N/A	RATCHET RING	
5	N/A	Seal Ring	1
6	22159	AXLE, GW RB REAR 15/20/120 ALLOY 130	1
7	22099	SPACER, GW, RED 17.5*15*2.1 mm	1
8	22568	FREEHUB, GW TR3 CAMPY 4 PAWL 3 BEARING	1
9	22130	END CAP, GW RB REAR QR 9/130	1
10	N/A	See 9	

ITEM #	PART #	DESCRIPTION	QTY
1	22569	FREEHUB, GW TR3 SPL 4 PAWL 3 BEARING	1
	22570	FREEHUB, GW TR3 XDR 4 PAWL 3 BEARING	1
	22568	FREEHUB, GW TR3 CAMPY 4 PAWL 3 BEARING	1
	423-39079	FREEHUB, GW CAMPY N3W 11-13SPD 4 PAWL 3 BEARING	1
2	N/A	SEAL RING	

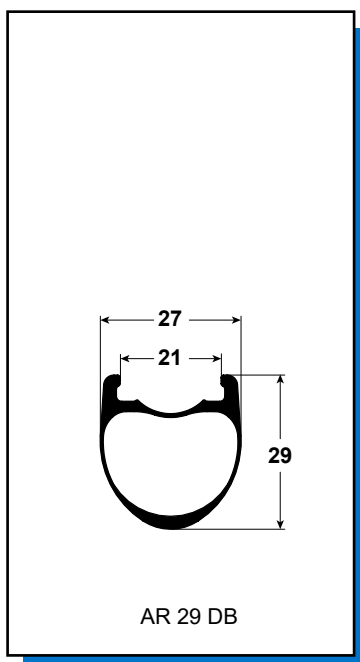
WARNING: The information contained herein is proprietary and confidential to Reynolds Cycling and Reynolds Cycling affiliates. This document is not intended for public distribution or disclosure. This document may be referenced and reproduced for and by Reynolds Cycling and Reynolds Cycling affiliates only.

AR29 TUBELESS CLINCHER DB

78251	WS, AR29 TL DB SHIM 24/24	
78253	W, AR29 TL DB FRONT 24H	1
58274	D RIM, AR29 TL DB 24H EXT	1
20919	RIM TAPE, TL 25MM 5.5M INSTALED	1
22142	HUB, GW TR3 FRNT DB 12/100 24H	1
22429	SPOKE, SPM SPRINT SP 292MM BLK	12
22430	SPOKE, SPM SPRINT SP 293MM BLK	12
20355	NIPPLE, EXT BLACK BRASS SQ HEAD	24
22322	DECAL, AR29 DB	1
20007	DECAL, NOT INTENDED FOR RB USE	1
20008	DECAL, REGISTER WHEELS	1
20332	WHEEL RAP HANG TAG	1
20119	BOX, TW DBLE WHL RNLD BOX 2016	0.5
78254	W, AR29 TL DB SHIM 24H	1
58274	D RIM, AR29 TL DB 24H EXT	1
20919	RIM TAPE, TL 25MM 5.5M INSTALED	1
22143	HUB, GW TR3 SHIM DB 142/12 24H	1
22419	SPOKE, SPM SPRINT SP 290MM BLK	12
22431	SPOKE, SPM SPRINT SP 294MM BLK	12
20355	NIPPLE, EXT BLACK BRASS SQ HEAD	24
22322	DECAL, AR29 DB	1
20007	DECAL, NOT INTENDED FOR RB USE	1
20008	DECAL, REGISTER WHEELS	1
20332	WHEEL RAP HANG TAG	1
20119	BOX, TW DBLE WHL RNLD BOX 2016	0.5
85575	W ACC KIT, ATTACK C TL DB FRNT	1
3040	9 X 12 X 4MIL ZIP LOCK BAG	1
20333	REYNOLDS NEW PROD WEBSITE CARD	1
21011	VALVE STEM, TUBELESS 45MM LONG	1
22122	END CAP, GW DB FRNT 15MM TA	1
85576	W ACC KIT, ATTACK C TL DB REAR	1
3040	9 X 12 X 4MIL ZIP LOCK BAG	1
20333	REYNOLDS NEW PROD WEBSITE CARD	1
21011	VALVE STEM, TUBELESS 45MM LONG	1

FREEHUB OPTIONS

20783	O-RING, GW DB END CAPS
22099	SPACER, GW, RED 17.5*15*2.1mm
22120	END CAP, GW DB FRNT 9MM QR
22121	END CAP, GW DB FRNT 12MM TA
22122	END CAP, GW DB FRNT 15MM TA
22124	END CAP, GW DB REAR 9/135 QR
22126	END CAP, GW DB R 12/135 TA
22128	END CAP, GW DB R 12/142 TA
22567	FREEHUB, GW TR3 XD 4 PAWL 3 BEARING
22568	FREEHUB, GW TR3 CAMPY 4 PAWL 3 BEARING
22569	FREEHUB, GW TR3 SPL 4 PAWL 3 BEARING
22570	FREEHUB, GW TR3 XDR 4 PAWL 3 BEARING
22161	AXLE, GW FRONT TA
22158	AXLE, GW DB REAR 15/12/125 ALLOY 135/142
22163	SEAL, GW REAR HUB NDS

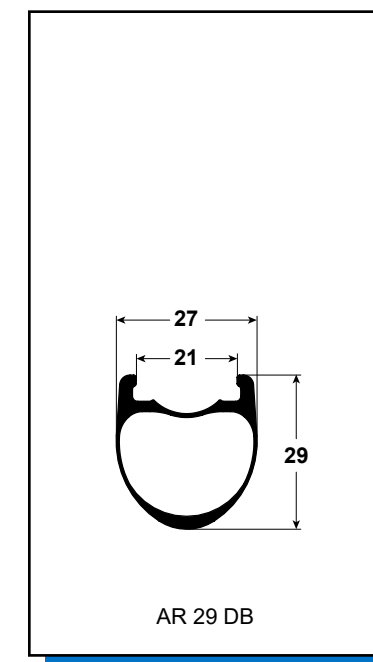


AR29 X TUBELESS CLINCHER DB

78271	WS, AR29x TL DB SHIM 24/24	
78273	W, AR29x TL DB FRONT 24H	1
68274	D RIM, H/O AR29 TL DB 24H	1
20919	RIM TAPE, TL 25MM 5.5M INSTALED	1
22112	HUB, GW FRONT DB 12MM 24H	1
21649	SPOKE, SPM CXSPNT SP 293MM BLK	24
20311	NIPPLE, EXT BLACK ALLOY SQ HEAD	24
20007	DECAL, NOT INTENDED FOR RB USE	1
20008	DECAL, REGISTER WHEELS	1
20332	WHEEL RAP HANG TAG	1
20119	BOX, TW DBLE WHL RNLD BOX 2016	0.5
78274	W, AR29x TL DB SHIM 24H	1
68274	D RIM, H/O AR29 TL DB 24H	1
20919	RIM TAPE, TL 25MM 5.5M INSTALED	1
22102	HUB, GW CL DB SHIM 12/142 24H	1
21665	SPOKE, SPM CXSPNT SP 290MM BLK	12
21671	SPOKE, SPM CXSPNT SP 294MM BLK	12
20311	NIPPLE, EXT BLACK ALLOY SQ HEAD	24
20007	DECAL, NOT INTENDED FOR RB USE	1
20008	DECAL, REGISTER WHEELS	1
20332	WHEEL RAP HANG TAG	1
20119	BOX, TW DBLE WHL RNLD BOX 2016	0.5
85575	W ACC KIT, ATTACK C TL DB FRNT	1
3040	9 X 12 X 4MIL ZIP LOCK BAG	1
20333	REYNOLDS NEW PROD WEBSITE CARD	1
21011	VALVE STEM, TUBELESS 45MM LONG	1
22122	END CAP, GW DB FRNT 15MM TA	1
85576	W ACC KIT, ATTACK C TL DB REAR	1
3040	9 X 12 X 4MIL ZIP LOCK BAG	1
20333	REYNOLDS NEW PROD WEBSITE CARD	1
21011	VALVE STEM, TUBELESS 45MM LONG	1

FREEHUB OPTIONS

20783	O-RING, GW DB END CAPS
22099	SPACER, GW, RED 17.5*15*2.1mm
22120	END CAP, GW DB FRNT 9MM QR
22121	END CAP, GW DB FRNT 12MM TA
22122	END CAP, GW DB FRNT 15MM TA
22124	END CAP, GW DB REAR 9/135 QR
22126	END CAP, GW DB R 12/135 TA
22128	END CAP, GW DB R 12/142 TA
22567	FREEHUB, GW TR3 XD 4 PAWL 3 BEARING
22568	FREEHUB, GW TR3 CAMPY 4 PAWL 3 BEARING
22569	FREEHUB, GW TR3 SPL 4 PAWL 3 BEARING
22570	FREEHUB, GW TR3 XDR 4 PAWL 3 BEARING
22161	AXLE, GW FRONT TA
22158	AXLE, GW DB REAR 15/12/125 ALLOY 135/142
22163	SEAL, GW REAR HUB NDS

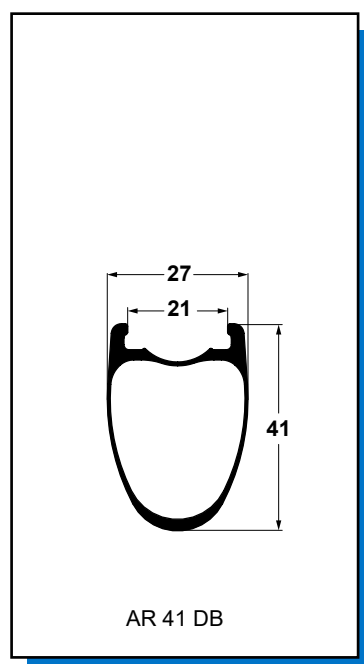


AR41 TUBELESS CLINCHER DB

78351	WS, AR41 TL DB SHIM 24/24	
78353	W, AR41 TL DB FRONT 24H	1
58364	D RIM, AR41 TL DB 24H EXT	1
20919	RIM TAPE, TL 25MM 5.5M INSTALED	1
22142	HUB, GW TR3 FRNT DB 12/100 24H	1
22415	SPOKE, SPM SPRINT SP 283MM BLK	24
20355	NIPPLE, EXT BLACK BRASS SQ HEAD	24
22324	DECAL, AR41 DB	1
20008	DECAL, REGISTER WHEELS	1
20007	DECAL, NOT INTENDED FOR RB USE	1
20332	WHEEL RAP HANG TAG	1
20119	BOX, TW DBLE WHL RNLD BOX 2016	0.5
78354	W, AR41 TL DB SHIM 24H	1
58364	D RIM, AR41 TL DB 24H EXT	1
20919	RIM TAPE, TL 25MM 5.5M INSTALED	1
22143	HUB, GW TR3 SHIM DB 142/12 24H	1
22411	SPOKE, SPM SPRINT SP 279MM BLK	12
22414	SPOKE, SPM SPRINT SP 282MM BLK	12
20355	NIPPLE, EXT BLACK BRASS SQ HEAD	24
22324	DECAL, AR41 DB	1
20008	DECAL, REGISTER WHEELS	1
20007	DECAL, NOT INTENDED FOR RB USE	1
20332	WHEEL RAP HANG TAG	1
20119	BOX, TW DBLE WHL RNLD BOX 2016	0.5
85577	W ACC KIT, ASLT/ATR C TL DB FR	1
3040	9 X 12 X 4MIL ZIP LOCK BAG	1
20333	REYNOLDS NEW PROD WEBSITE CARD	1
21012	VALVE STEM, TUBELESS 55MM LONG	1
22122	END CAP, GW DB FRNT 15MM TA	1
85578	W ACC KIT, ASLT/ATR C TL DB RE	1
3040	9 X 12 X 4MIL ZIP LOCK BAG	1
20333	REYNOLDS NEW PROD WEBSITE CARD	1
21012	VALVE STEM, TUBELESS 55MM LONG	1

FREEHUB OPTIONS

20783	O-RING, GW DB END CAPS
22099	SPACER, GW, RED 17.5*15*2.1mm
22120	END CAP, GW DB FRNT 9MM QR
22121	END CAP, GW DB FRNT 12MM TA
22122	END CAP, GW DB FRNT 15MM TA
22124	END CAP, GW DB REAR 9/135 QR
22126	END CAP, GW DB R 12/135 TA
22128	END CAP, GW DB R 12/142 TA
22567	FREEHUB, GW TR3 XD 4 PAWL 3 BEARING
22568	FREEHUB, GW TR3 CAMPY 4 PAWL 3 BEARING
22569	FREEHUB, GW TR3 SPL 4 PAWL 3 BEARING
22570	FREEHUB, GW TR3 XDR 4 PAWL 3 BEARING
22161	AXLE, GW FRONT TA
22158	AXLE, GW DB REAR 15/12/125 ALLOY 135/142
22163	SEAL, GW REAR HUB NDS

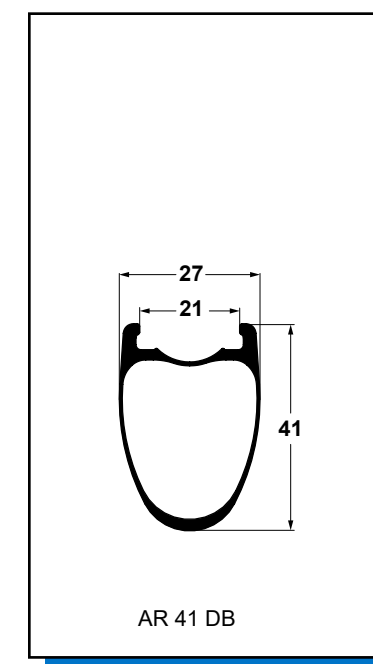


AR41 X TUBELESS CLINCHER DB

78361	WS, AR41x TL DB SHIM 24/24	
78363	W, AR41x TL DB FRONT 24H	1
68364	D RIM, HiO AR41 TL DB 24H	1
20919	RIM TAPE, TL 25MM 5.5M INSTALED	1
22112	HUB, GW FRONT DB 12MM 24H	1
21648	SPOKE, SPM CXSPNT SP 281MM BLK	24
20311	NIPPLE, EXT BLACK ALLOY SQ HEAD	24
20008	DECAL, REGISTER WHEELS	1
20007	DECAL, NOT INTENDED FOR RB USE	1
20332	WHEEL RAP HANG TAG	1
20119	BOX, TW DBLE WHL RNLD BOX 2016	0.5
78364	W, AR41x TL DB SHIM 24H	1
68364	D RIM, HiO AR41 TL DB 24H	1
20919	RIM TAPE, TL 25MM 5.5M INSTALED	1
22102	HUB, GW CL DB SHIM 12/142 24H	1
21564	SPOKE, SPM CXSPNT SP 279MM BLK	12
21661	SPOKE, SPM CXSPNT SP 283MM BLK	12
20311	NIPPLE, EXT BLACK ALLOY SQ HEAD	24
20008	DECAL, REGISTER WHEELS	1
20007	DECAL, NOT INTENDED FOR RB USE	1
20332	WHEEL RAP HANG TAG	1
20119	BOX, TW DBLE WHL RNLD BOX 2016	0.5
85577	W ACC KIT, ASLT/ATR C TL DB FR	1
3040	9 X 12 X 4MIL ZIP LOCK BAG	1
20333	REYNOLDS NEW PROD WEBSITE CARD	1
21012	VALVE STEM, TUBELESS 55MM LONG	1
22122	END CAP, GW DB FRNT 15MM TA	1
85578	W ACC KIT, ASLT/ATR C TL DB RE	1
3040	9 X 12 X 4MIL ZIP LOCK BAG	1
20333	REYNOLDS NEW PROD WEBSITE CARD	1
21012	VALVE STEM, TUBELESS 55MM LONG	1

FREEHUB OPTIONS

20783	O-RING, GW DB END CAPS
22099	SPACER, GW, RED 17.5*15*2.1mm
22120	END CAP, GW DB FRNT 9MM QR
22121	END CAP, GW DB FRNT 12MM TA
22122	END CAP, GW DB FRNT 15MM TA
22124	END CAP, GW DB REAR 9/135 QR
22126	END CAP, GW DB R 12/135 TA
22128	END CAP, GW DB R 12/142 TA
22567	FREEHUB, GW TR3 XD 4 PAWL 3 BEARING
22568	FREEHUB, GW TR3 CAMPY 4 PAWL 3 BEARING
22569	FREEHUB, GW TR3 SPL 4 PAWL 3 BEARING
22570	FREEHUB, GW TR3 XDR 4 PAWL 3 BEARING
22161	AXLE, GW FRONT TA
22158	AXLE, GW DB REAR 15/12/125 ALLOY 135/142
22163	SEAL, GW REAR HUB NDS

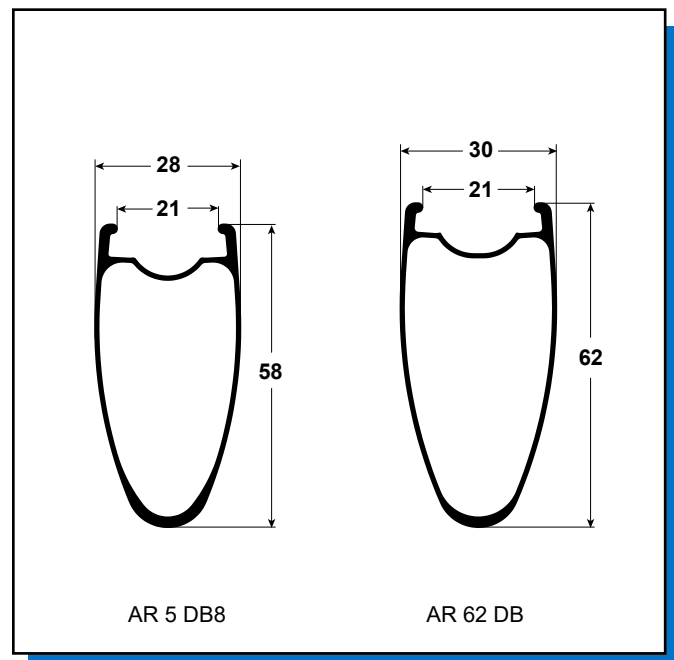


AR58/62 TUBELESS CLINCHER DB

78451	WS, 58/62 TL DB SHIM 24/24	
78453	W, AR58 TL DB FRONT 24H	1
58464	D RIM, AR58 TL DB 24H EXT	1
20918	RIM TAPE, TL 22MM 5.5M INSTALED	1
22142	HUB, GW TR3 FRNT DB 12/100 24H	1
22396	SPOKE, SPM SPRINT SP 264MM BLK	12
22397	SPOKE, SPM SPRINT SP 265MM BLK	12
20355	NIPPLE, EXT BLACK BRASS SQ HEAD	24
22327	DECAL, AR58 DB	1
20007	DECAL, NOT INTENDED FOR RB USE	1
20008	DECAL, REGISTER WHEELS	1
20332	WHEEL RAP HANG TAG	1
20119	BOX, TW DBLE WHL RNLD BOX 2016	0.5
78494	W, AR62 TL DB SHIM 24H	1
58474	D RIM, AR62 TL DB 24H EXT	1
20919	RIM TAPE, TL 25MM 5.5M INSTALED	1
22143	HUB, GW TR3 SHIM DB 142/12 24H	1
22391	SPOKE, SPM SPRINT SP 259MM BLK	12
22395	SPOKE, SPM SPRINT SP 263MM BLK	12
20355	NIPPLE, EXT BLACK BRASS SQ HEAD	24
22328	DECAL, AR62 DB	1
20007	DECAL, NOT INTENDED FOR RB USE	1
20008	DECAL, REGISTER WHEELS	1
20332	WHEEL RAP HANG TAG	1
20119	BOX, TW DBLE WHL RNLD BOX 2016	0.5
85579	W ACC KIT, STRIKE C TL DB FRNT	1
3040	9 X 12 X 4MIL ZIP LOCK BAG	1
20333	REYNOLDS NEW PROD WEBSITE CARD	1
21013	VALVE STEM, TUBELESS 75MM LONG	1
22122	END CAP, GW DB FRNT 15MM TA	1
85580	W ACC KIT, STRIKE C TL DB REAR	1
3040	9 X 12 X 4MIL ZIP LOCK BAG	1
20333	REYNOLDS NEW PROD WEBSITE CARD	1
21013	VALVE STEM, TUBELESS 75MM LONG	1

FREEHUB OPTIONS

20783	O-RING, GW DB END CAPS
22099	SPACER, GW, RED 17.5*15*2.1mm
22120	END CAP, GW DB FRNT 9MM QR
22121	END CAP, GW DB FRNT 12MM TA
22122	END CAP, GW DB FRNT 15MM TA
22124	END CAP, GW DB REAR 9/135 QR
22126	END CAP, GW DB R 12/135 TA
22128	END CAP, GW DB R 12/142 TA
22567	FREEHUB, GW TR3 XD 4 PAWL 3 BEARING
22568	FREEHUB, GW TR3 CAMPY 4 PAWL 3 BEARING
22569	FREEHUB, GW TR3 SPL 4 PAWL 3 BEARING
22570	FREEHUB, GW TR3 XDR 4 PAWL 3 BEARING
22161	AXLE, GW FRONT TA
22158	AXLE, GW DB REAR 15/12/125 ALLOY 135/142
22163	SEAL, GW REAR HUB NDS

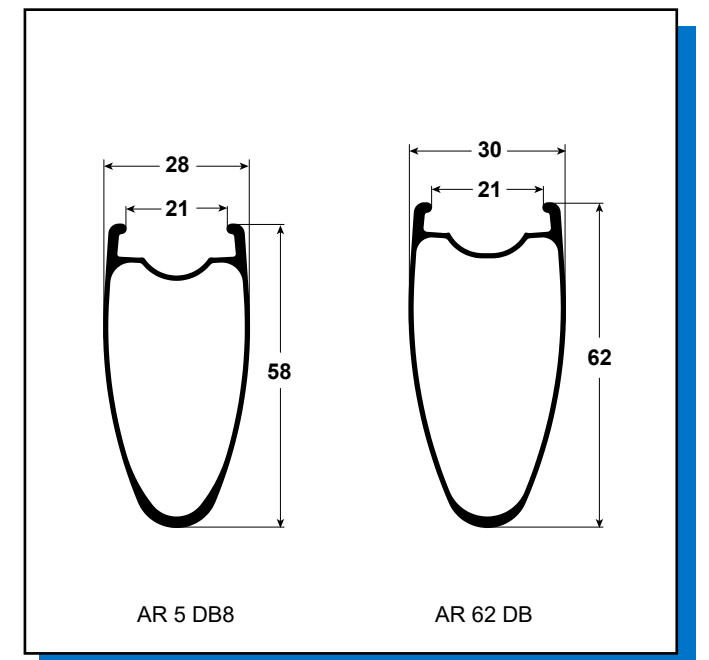


AR58/62 X TUBELESS CLINCHER DB

78461	WS, 58/62x TL DB SHIM 24/24	
78463	W, AR58x TL DB FRONT 24H	1
68464	D RIM, HiO AR58 TL DB 24H	1
20918	RIM TAPE, TL 22MM 5.5M INSTALED	1
22112	HUB, GW FRONT DB 12MM 24H	1
21646	SPOKE, SPM CXSPNT SP 263MM BLK	12
21647	SPOKE, SPM CXSPNT SP 264MM BLK	12
20311	NIPPLE, EXT BLACK ALLOY SQ HEAD	24
20007	DECAL, NOT INTENDED FOR RB USE	1
20008	DECAL, REGISTER WHEELS	1
20332	WHEEL RAP HANG TAG	1
20119	BOX, TW DBLE WHL RNLD BOX 2016	0.5
78474	W, AR62x TL DB SHIM 24H	1
68474	D RIM, HiO AR62 TL DB 24H	1
20919	RIM TAPE, TL 25MM 5.5M INSTALED	1
22102	HUB, GW CL DB SHIM 12/142 24H	1
21644	SPOKE, SPM CXSPNT SP 259MM BLK	12
21646	SPOKE, SPM CXSPNT SP 263MM BLK	12
20311	NIPPLE, EXT BLACK ALLOY SQ HEAD	24
20007	DECAL, NOT INTENDED FOR RB USE	1
20008	DECAL, REGISTER WHEELS	1
20332	WHEEL RAP HANG TAG	1
20119	BOX, TW DBLE WHL RNLD BOX 2016	0.5
85579	W ACC KIT, STRIKE C TL DB FRNT	1
3040	9 X 12 X 4MIL ZIP LOCK BAG	1
20333	REYNOLDS NEW PROD WEBSITE CARD	1
21013	VALVE STEM, TUBELESS 75MM LONG	1
22122	END CAP, GW DB FRNT 15MM TA	1
85580	W ACC KIT, STRIKE C TL DB REAR	1
3040	9 X 12 X 4MIL ZIP LOCK BAG	1
20333	REYNOLDS NEW PROD WEBSITE CARD	1
21013	VALVE STEM, TUBELESS 75MM LONG	1

FREEHUB OPTIONS

20783	O-RING, GW DB END CAPS
22099	SPACER, GW, RED 17.5*15*2.1mm
22120	END CAP, GW DB FRNT 9MM QR
22121	END CAP, GW DB FRNT 12MM TA
22122	END CAP, GW DB FRNT 15MM TA
22124	END CAP, GW DB REAR 9/135 QR
22126	END CAP, GW DB R 12/135 TA
22128	END CAP, GW DB R 12/142 TA
22567	FREEHUB, GW TR3 XD 4 PAWL 3 BEARING
22568	FREEHUB, GW TR3 CAMPY 4 PAWL 3 BEARING
22569	FREEHUB, GW TR3 SPL 4 PAWL 3 BEARING
22570	FREEHUB, GW TR3 XDR 4 PAWL 3 BEARING
22161	AXLE, GW FRONT TA
22158	AXLE, GW DB REAR 15/12/125 ALLOY 135/142
22163	SEAL, GW REAR HUB NDS

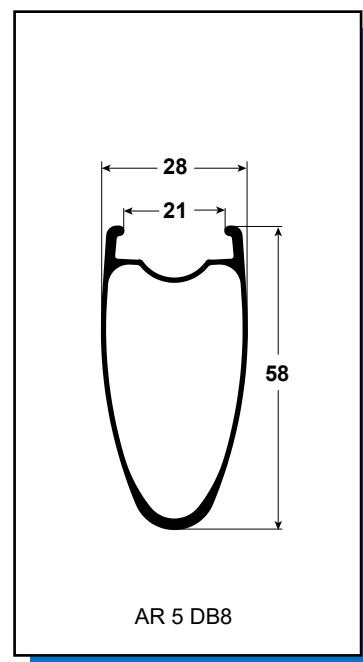


AR58 650B TUBELESS CLINCHER DB

78411	WS, AR58 650b DB SHIM 24/24	
78413	W, AR58 650b DB FRONT 24H	1
58444	D RIM, AR58 650b DB 24H	1
20918	RIM TAPE, TL 22MM 5.5M INSTALED	1
22142	HUB, GW TR3 FRNT DB 12/100 24H	1
22402	SPOKE, SPM SPRINT SP 246MM BLK	24
20355	NIPPLE, EXT BLACK BRASS SQ HEAD	24
22326	DECAL, AR58 650b DB	1
20007	DECAL, NOT INTENDED FOR RB USE	1
20008	DECAL, REGISTER WHEELS	1
20332	WHEEL RAP HANG TAG	1
20119	BOX, TW DBLE WHL RNLD BOX 2016	0.5
78414	W, AR58 650b DB SHIM 24H	1
58444	D RIM, AR58 650b DB 24H	1
20918	RIM TAPE, TL 22MM 5.5M INSTALED	1
22143	HUB, GW TR3 SHIM DB 142/12 24H	1
22386	SPOKE, SPM SPRINT SP 244MM BLK	12
22403	SPOKE, SPM SPRINT SP 247MM BLK	12
20355	NIPPLE, EXT BLACK BRASS SQ HEAD	24
22326	DECAL, AR58 650b DB	1
20007	DECAL, NOT INTENDED FOR RB USE	1
20008	DECAL, REGISTER WHEELS	1
20332	WHEEL RAP HANG TAG	1
20119	BOX, TW DBLE WHL RNLD BOX 2016	0.5
85579	W ACC KIT, STRIKE C TL DB FRNT	1
3040	9 X 12 X 4MIL ZIP LOCK BAG	1
20333	REYNOLDS NEW PROD WEBSITE CARD	1
21013	VALVE STEM, TUBELESS 75MM LONG	1
22122	END CAP, GW DB FRNT 15MM TA	1
85580	W ACC KIT, STRIKE C TL DB REAR	1
3040	9 X 12 X 4MIL ZIP LOCK BAG	1
20333	REYNOLDS NEW PROD WEBSITE CARD	1
21013	VALVE STEM, TUBELESS 75MM LONG	1

FREEHUB OPTIONS

20783	O-RING, GW DB END CAPS
22099	SPACER, GW, RED 17.5*15*2.1mm
22120	END CAP, GW DB FRNT 9MM QR
22121	END CAP, GW DB FRNT 12MM TA
22122	END CAP, GW DB FRNT 15MM TA
22124	END CAP, GW DB REAR 9/135 QR
22126	END CAP, GW DB R 12/135 TA
22128	END CAP, GW DB R 12/142 TA
22567	FREEHUB, GW TR3 XD 4 PAWL 3 BEARING
22568	FREEHUB, GW TR3 CAMPY 4 PAWL 3 BEARING
22569	FREEHUB, GW TR3 SPL 4 PAWL 3 BEARING
22570	FREEHUB, GW TR3 XDR 4 PAWL 3 BEARING
22161	AXLE, GW FRONT TA
22158	AXLE, GW DB REAR 15/12/125 ALLOY 135/142
22163	SEAL, GW REAR HUB NDS

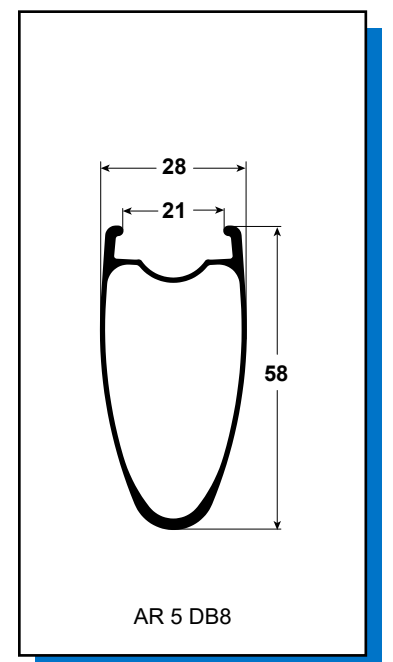


AR58 X 650B TUBELESS CLINCHER DB

78441	WS, AR58x 650b DB SHIM 24/24	
78443	W, AR58x 650b DB FRONT 24H	1
68444	D RIM, HiO AR58 650b DB 24H	1
20918	RIM TAPE, TL 22MM 5.5M INSTALED	1
22112	HUB, GW FRONT DB 12MM 24H	1
21669	SPOKE, SPM CXSPNT SP 246MM BLK	24
20311	NIPPLE, EXT BLACK ALLOY SQ HEAD	24
20007	DECAL, NOT INTENDED FOR RB USE	1
20008	DECAL, REGISTER WHEELS	1
20332	WHEEL RAP HANG TAG	1
20119	BOX, TW DBLE WHL RNLD BOX 2016	0.5
78444	W, AR58x 650b DB SHIM 24H	1
68444	D RIM, HiO AR58 650b DB 24H	1
20918	RIM TAPE, TL 22MM 5.5M INSTALED	1
22102	HUB, GW CL DB SHIM 12/142 24H	1
21549	SPOKE, SPM CXSPNT SP 244MM BLK	12
21670	SPOKE, SPM CXSPNT SP 248MM BLK	12
20311	NIPPLE, EXT BLACK ALLOY SQ HEAD	24
20007	DECAL, NOT INTENDED FOR RB USE	1
20008	DECAL, REGISTER WHEELS	1
20332	WHEEL RAP HANG TAG	1
20119	BOX, TW DBLE WHL RNLD BOX 2016	0.5
85579	W ACC KIT, STRIKE C TL DB FRNT	1
3040	9 X 12 X 4MIL ZIP LOCK BAG	1
20333	REYNOLDS NEW PROD WEBSITE CARD	1
21013	VALVE STEM, TUBELESS 75MM LONG	1
22122	END CAP, GW DB FRNT 15MM TA	1
85580	W ACC KIT, STRIKE C TL DB REAR	1
3040	9 X 12 X 4MIL ZIP LOCK BAG	1
20333	REYNOLDS NEW PROD WEBSITE CARD	1
21013	VALVE STEM, TUBELESS 75MM LONG	1

FREEHUB OPTIONS

20783	O-RING, GW DB END CAPS
22099	SPACER, GW, RED 17.5*15*2.1mm
22120	END CAP, GW DB FRNT 9MM QR
22121	END CAP, GW DB FRNT 12MM TA
22122	END CAP, GW DB FRNT 15MM TA
22124	END CAP, GW DB REAR 9/135 QR
22126	END CAP, GW DB R 12/135 TA
22128	END CAP, GW DB R 12/142 TA
22567	FREEHUB, GW TR3 XD 4 PAWL 3 BEARING
22568	FREEHUB, GW TR3 CAMPY 4 PAWL 3 BEARING
22569	FREEHUB, GW TR3 SPL 4 PAWL 3 BEARING
22570	FREEHUB, GW TR3 XDR 4 PAWL 3 BEARING
22161	AXLE, GW FRONT TA
22158	AXLE, GW DB REAR 15/12/125 ALLOY 135/142
22163	SEAL, GW REAR HUB NDS

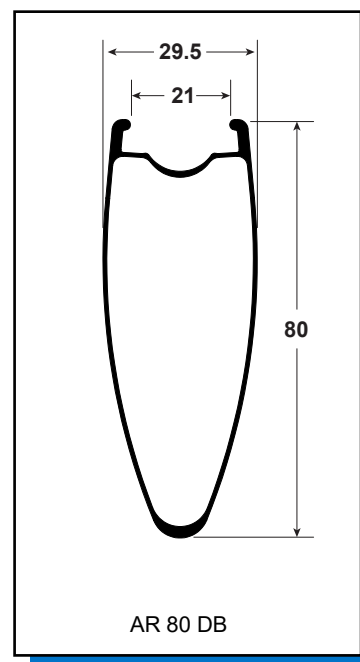


AR80 TUBELESS CLINCHER DB

78846	WS, AR80 DB SHIMANO 24/24H	
78848	W, AR80 DB FRONT 24H	1
58849	D RIM, AR80 TL DB 24H EXT	1
20918	RIM TAPE, TL 22MM 5.5M INSTALED	1
22142	HUB, GW TR3 FRNT DB 12/100 24H	1
22386	SPOKE, SPM SPRINT SP 244MM BLK	12
22385	SPOKE, SPM SPRINT SP 243MM BLK	12
20355	NIPPLE, EXT BLACK BRASS SQ HEAD	24
22122	END CAP, GW DB FRNT 15MM TA	1
22311	DECAL, AR80	1
20007	DECAL, NOT INTENDED FOR RB USE	1
20008	DECAL, REGISTER WHEELS	1
20332	WHEEL RAP HANG TAG	1
20119	BOX, TW DBLE WHL RNLD BOX 2016	0.5
85542	W ACC KIT, AM DB 100MM BRASS TL	1
3040	9 X 12 X 4MIL ZIP LOCK BAG	1
20333	REYNOLDS NEW PROD WEBSITE CARD	1
21787	VALVE STEM, TL BRASS 100MM LONG	1
78849	W, AR80 DB SHIMANO 24H	1
58849	D RIM, AR80 TL DB 24H EXT	1
20918	RIM TAPE, TL 22MM 5.5M INSTALLED	1
22143	HUB, GW TR3 SHIM DB 142/12 24H	1
22386	SPOKE, SPM SPRINT SP 244MM BLK	12
22434	SPOKE, SPM SPRINT SP 240MM BLK	12
20355	NIPPLE, EXT BLACK BRASS SQ HEAD	24
22311	DECAL, AR80	1
20007	DECAL, NOT INTENDED FOR RB USE	1
20008	DECAL, REGISTER WHEELS	1
20332	WHEEL RAP HANG TAG	1
20119	BOX, TW DBLE WHL RNLD BOX 2016	0.5
85542	W ACC KIT, AM DB 100MM BRASS TL	1
3040	9 X 12 X 4MIL ZIP LOCK BAG	1
20333	REYNOLDS NEW PROD WEBSITE CARD	1
21787	VALVE STEM, TL BRASS 100MM LONG	1

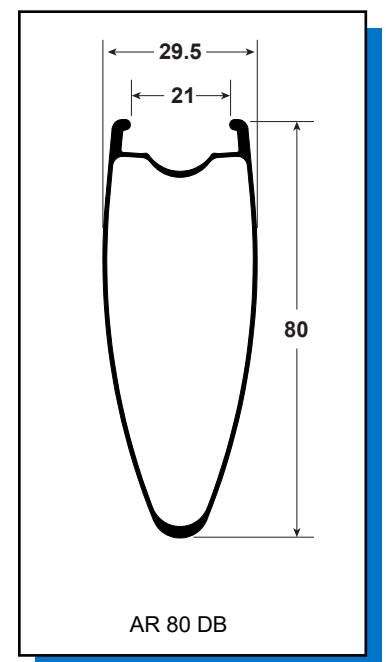
FREEHUB OPTIONS

20783	O-RING, GW DB END CAPS
22099	SPACER, GW, RED 17.5*15*2.1mm
22120	END CAP, GW DB FRNT 9MM QR
22121	END CAP, GW DB FRNT 12MM TA
22122	END CAP, GW DB FRNT 15MM TA
22124	END CAP, GW DB REAR 9/135 QR
22126	END CAP, GW DB R 12/135 TA
22128	END CAP, GW DB R 12/142 TA
22567	FREEHUB, GW TR3 XD 4 PAWL 3 BEARING
22568	FREEHUB, GW TR3 CAMPY 4 PAWL 3 BEARING
22569	FREEHUB, GW TR3 SPL 4 PAWL 3 BEARING
22570	FREEHUB, GW TR3 XDR 4 PAWL 3 BEARING
22161	AXLE, GW FRONT TA
22158	AXLE, GW DB REAR 15/12/125 ALLOY 135/142
22163	SEAL, GW REAR HUB NDS

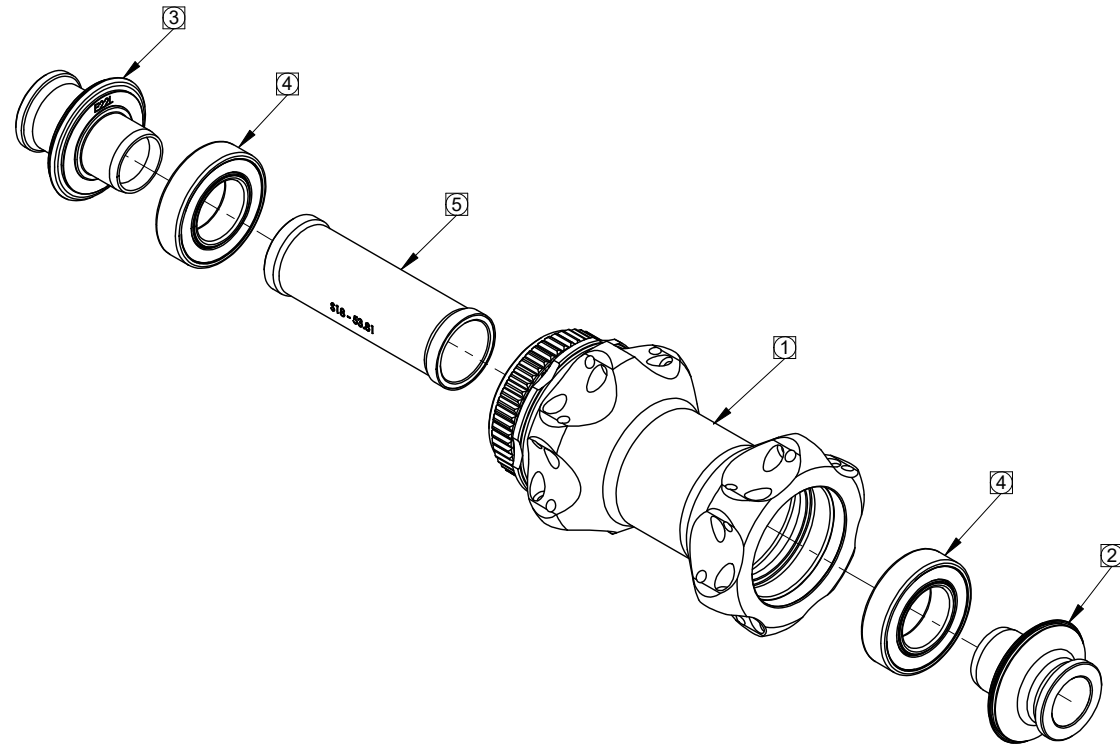


AR80 X TUBELESS CLINCHER DB

78896	WS, AR80x DB SHIMANO 24/24	
78898	W, AR80x DB FRONT 24H	1
68849	D RIM, H2O AR80 TL DB 24H EXT	1
20918	RIM TAPE, TL 22MM 5.5M INSTALED	1
22112	HUB, GW FRONT DB 12MM 24H	1
21549	SPOKE, SPM CXSPNT SP 244MM BLK	12
21718	SPOKE, SPM CXSPNT SP 242MM BLK	12
20311	NIPPLE, EXT BLACK ALLOY SQ HEAD	24
22122	END CAP, GW DB FRNT 15MM TA	1
20007	DECAL, NOT INTENDED FOR RB USE	1
20008	DECAL, REGISTER WHEELS	1
20332	WHEEL RAP HANG TAG	1
20119	BOX, TW DBLE WHL RNLD BOX 2016	0.5
85547	W ACC KIT, AM DB 100MM ALLOY TL	1
3040	9 X 12 X 4MIL ZIP LOCK BAG	1
20333	REYNOLDS NEW PROD WEBSITE CARD	1
21777	VALVE STEM, TL ALLOY 100MM LONG	1
78899	W, AR80x DB SHIMANO 24H	1
68849	D RIM, H2O AR80 TL DB 24H EXT	1
20919	RIM TAPE, TL 25MM 5.5M INSTALED	1
22102	HUB, GW CL DB SHIM 12/142 24H	1
21549	SPOKE, SPM CXSPNT SP 244MM BLK	12
21722	SPOKE, SPM CXSPNT SP 240MM BLK	12
20311	NIPPLE, EXT BLACK ALLOY SQ HEAD	24
20007	DECAL, NOT INTENDED FOR RB USE	1
20008	DECAL, REGISTER WHEELS	1
20332	WHEEL RAP HANG TAG	1
20119	BOX, TW DBLE WHL RNLD BOX 2016	0.5
85547	W ACC KIT, AM DB 100MM ALLOY TL	1
3040	9 X 12 X 4MIL ZIP LOCK BAG	1
20333	REYNOLDS NEW PROD WEBSITE CARD	1
21777	VALVE STEM, TL ALLOY 100MM LONG	1

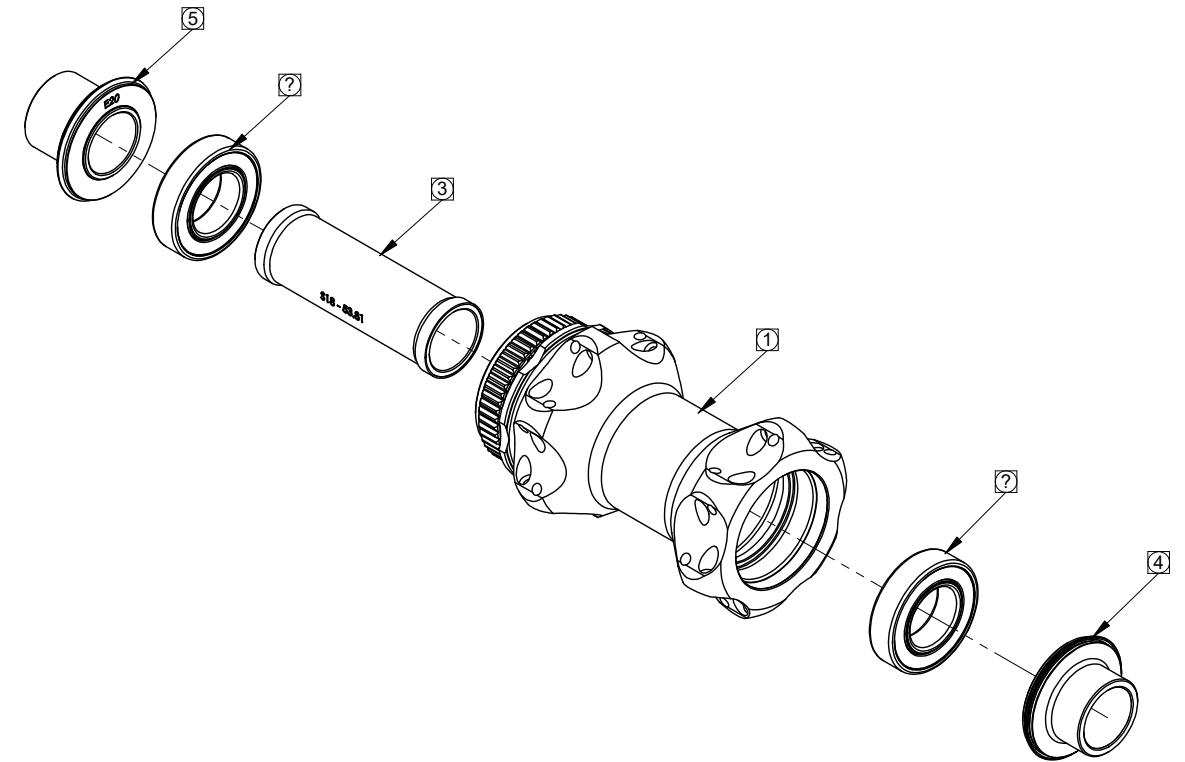


GW FRONT DB 12MM 24H



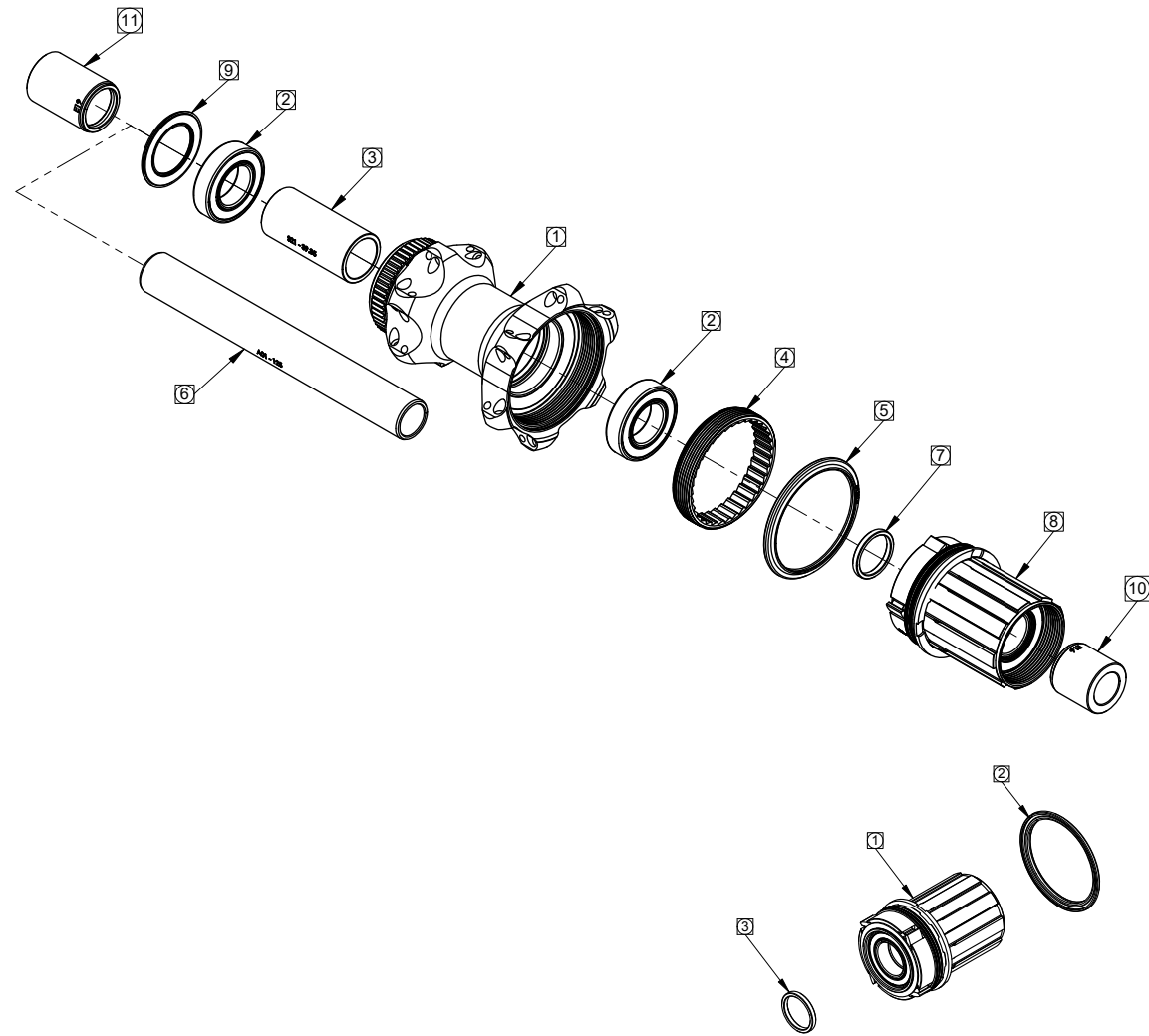
ITEM #	PART #	DESCRIPTION	QTY
1	N/A	Hub Shell	1
2	22121	END CAP, GW DB FRNT 12MM TA	1
3	N/A	See #2	
4	20156	BEARING, 6902, ENDURO	1
5	22161	AXLE, GW FRONT TA	1

GW FRONT DB 15MM 24H



ITEM #	PART #	DESCRIPTION	QTY
1	N/A	Hub Shell	1
2	22121	END CAP, GW DB FRNT 12MM TA	1
3	N/A	See #2	
4	20156	BEARING, 6902, ENDURO	1
5	22161	AXLE, GW FRONT TA	1

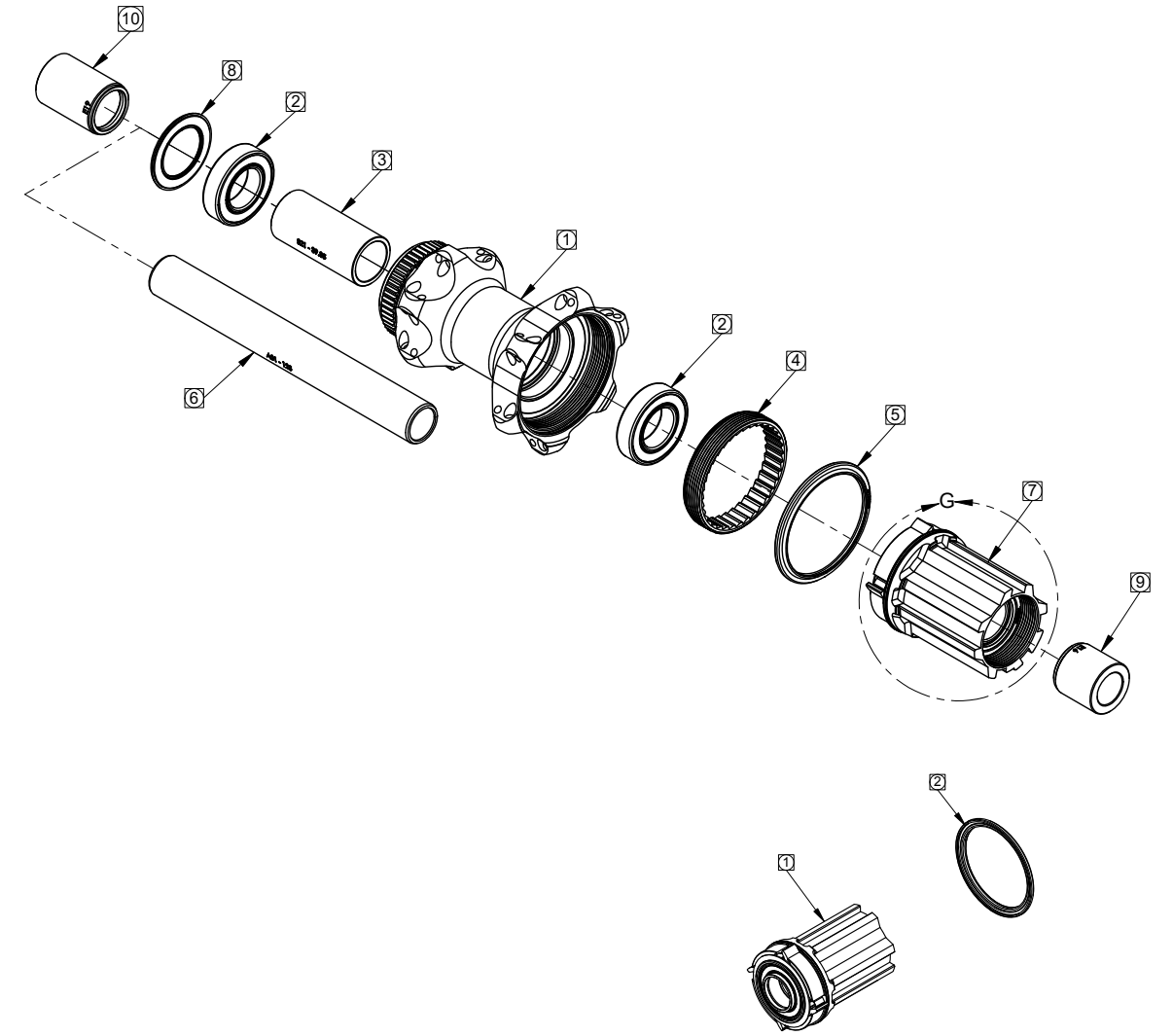
GW CL DB SHIM 12142 24H



ITEM #	PART #	DESCRIPTION	QTY
1	N/A	Hub Shell	
2	20156	BEARING, 6902, ENDURO	2
3	22162	SPACER, GW REAR AXLE	1
4	N/A	RATCHET RING	
5	N/A	Seal Ring	1
6	22158	AXLE, GW DB REAR 15/12/125 ALLOY 135/142	1
7	22569	FREEHUB, GW TR3 SPL 4 PAWL 3 BEARING	1
8	N/A	Spacer	
9	22130	END CAP, GW RB REAR QR 9/130	1
10	N/A	See 9	

ITEM #	PART #	DESCRIPTION	QTY
1	22569	FREEHUB, GW TR3 SPL 4 PAWL 3 BEARING	1
	22570	FREEHUB, GW TR3 XDR 4 PAWL 3 BEARING	1
	22568	FREEHUB, GW TR3 CAMPY 4 PAWL 3 BEARING	1
	423-39079	FREEHUB, GW CAMPY N3W 11-13SPD 4 PAWL 3 BEARING	1
2	N/A	SEAL RING	

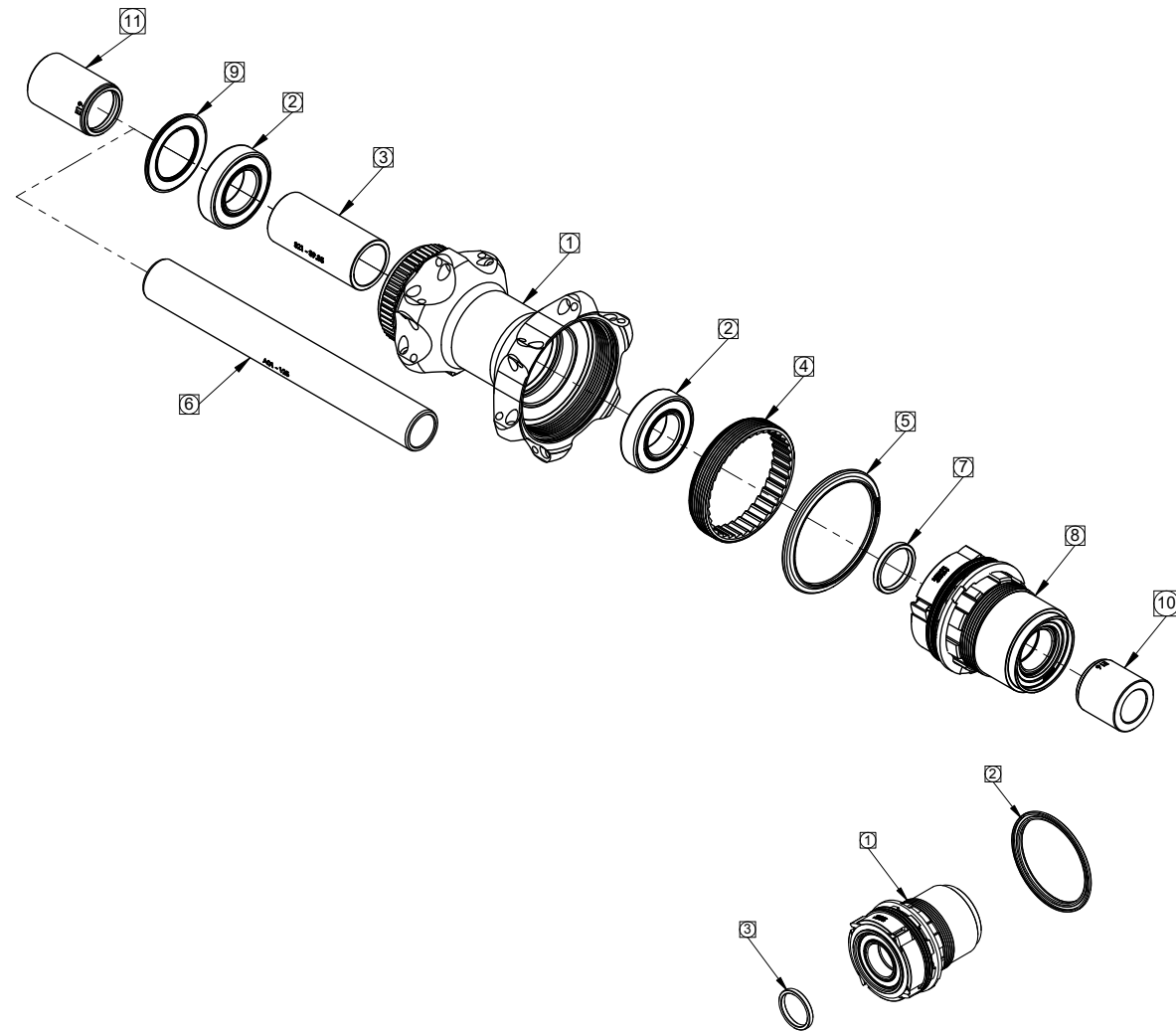
GW CL DB CAMPY 12142 24H



ITEM #	PART #	DESCRIPTION	QTY
1	N/A	Hub Shell	
2	20156	BEARING, 6902, ENDURO	2
3	22162	SPACER, GW REAR AXLE	1
4	N/A	RATCHET RING	
5	N/A	Seal Ring	1
6	22159	AXLE, GW RB REAR 15/20/120 ALLOY 130	1
7	22099	SPACER, GW, RED 17.5*15*2.1 mm	1
8	22570	FREEHUB, GW TR3 XDR 4 PAWL 3 BEARING	1
9	22130	END CAP, GW RB REAR QR 9/130	1
10	N/A	See 9	

ITEM #	PART #	DESCRIPTION	QTY
1	22569	FREEHUB, GW TR3 SPL 4 PAWL 3 BEARING	1
	22570	FREEHUB, GW TR3 XDR 4 PAWL 3 BEARING	1
	22568	FREEHUB, GW TR3 CAMPY 4 PAWL 3 BEARING	1
	423-39079	FREEHUB, GW CAMPY N3W 11-13SPD 4 PAWL 3 BEARING	1
2	N/A	SEAL RING	

GW CL DB XDR 12142 24H



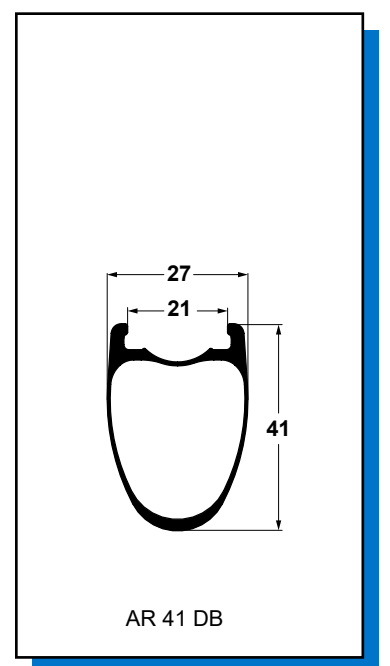
ITEM #	PART #	DESCRIPTION	QTY
1	N/A	Hub Shell	
2	20156	BEARING, 6902, ENDURO	2
3	22162	SPACER, GW REAR AXLE	1
4	N/A	RATCHET RING	
5	N/A	Seal Ring	1
6	22158	AXLE, GW DB REAR 15/12/125 ALLOY 135/142	1
7	22569	FREEHUB, GW TR3 SPL 4 PAWL 3 BEARING	1
8	N/A	Spacer	
9	22130	END CAP, GW RB REAR QR 9/130	1
10	N/A	See 9	

ITEM #	PART #	DESCRIPTION	QTY
1	22569	FREEHUB, GW TR3 SPL 4 PAWL 3 BEARING	1
	22570	FREEHUB, GW TR3 XDR 4 PAWL 3 BEARING	1
	22568	FREEHUB, GW TR3 CAMPY 4 PAWL 3 BEARING	1
	423-39079	FREEHUB, GW CAMPY N3W 11-13SPD 4 PAWL 3 BEARING	1
2	N/A	SEAL RING	

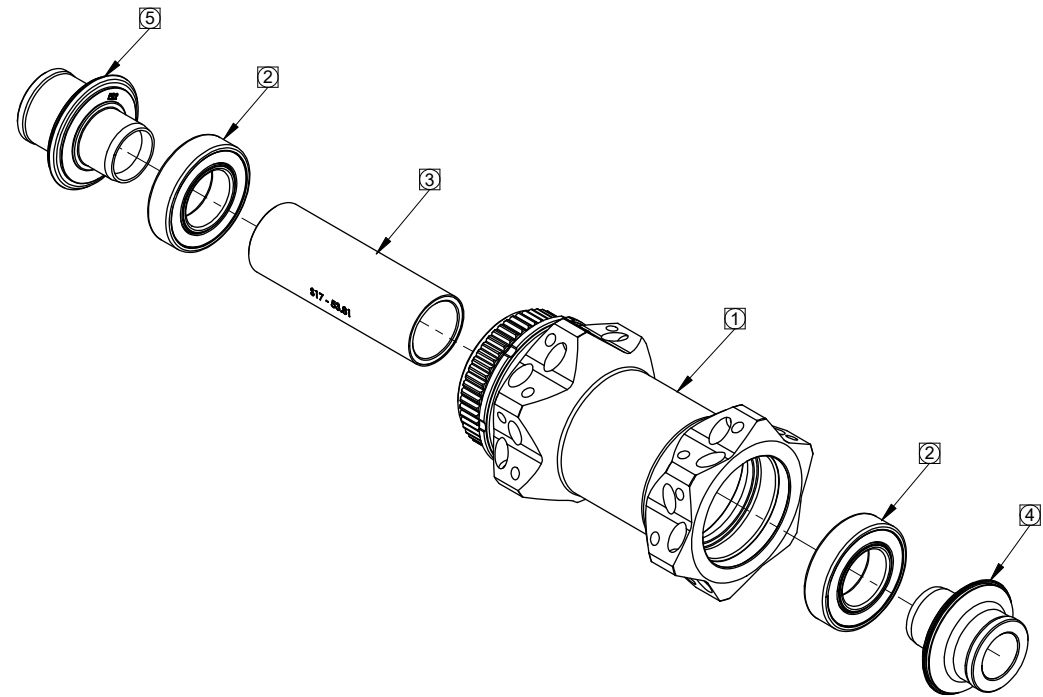
AR41 E

ITEM #	DESCRIPTION	QTY
78941	WS, AR41e TL DB SPL 24/24	
78943	W, AR41e TL DB FRONT 24H	1
58364	D RIM, AR41 TL DB 24H EXT	1
20919	RIM TAPE, TL 25MM 5.5M INSTALED	1
22142	HUB, GW TR3 FRNT DB 12/100 24H	1
22413	SPOKE, SPM SPRINT SP 281MM BLK	24
20355	NIPPLE, EXT BLACK BRASS SQ HEAD	24
22009	DECAL, AR41e DB	1
20008	DECAL, REGISTER WHEELS	1
20007	DECAL, NOT INTENDED FOR RB USE	1
20332	WHEEL RAP HANG TAG	1
20119	BOX, TW DBLE WHL RNLD BOX 2016	0.5
85577	W ACC KIT, ASLT/ATR C TL DB FR	1
3040	9 X 12 X 4MIL ZIP LOCK BAG	1
20333	REYNOLDS NEW PROD WEBSITE CARD	1
21012	VALVE STEM, TUBELESS 55MM LONG	1
22122	END CAP, GW DB FRNT 15MM TA	1
78944	W, AR41e TL DB SPL 24H	1
58364	D RIM, AR41 TL DB 24H EXT	1
20919	RIM TAPE, TL 25MM 5.5M INSTALED	1
22456	HUB, GW TR3e SPL DB 142/12 24H	1
22415	SPOKE, SPM SPRINT SP 283MM BLK	12
22411	SPOKE, SPM SPRINT SP 279MM BLK	12
20355	NIPPLE, EXT BLACK BRASS SQ HEAD	24
22009	DECAL, AR41e DB	1
20008	DECAL, REGISTER WHEELS	1
20007	DECAL, NOT INTENDED FOR RB USE	1
20332	WHEEL RAP HANG TAG	1
20119	BOX, TW DBLE WHL RNLD BOX 2016	0.5
85578	W ACC KIT, ASLT/ATR C TL DB RE	1
3040	9 X 12 X 4MIL ZIP LOCK BAG	1
20333	REYNOLDS NEW PROD WEBSITE CARD	1
21012	VALVE STEM, TUBELESS 55MM LONG	1

FREEHUB OPTIONS

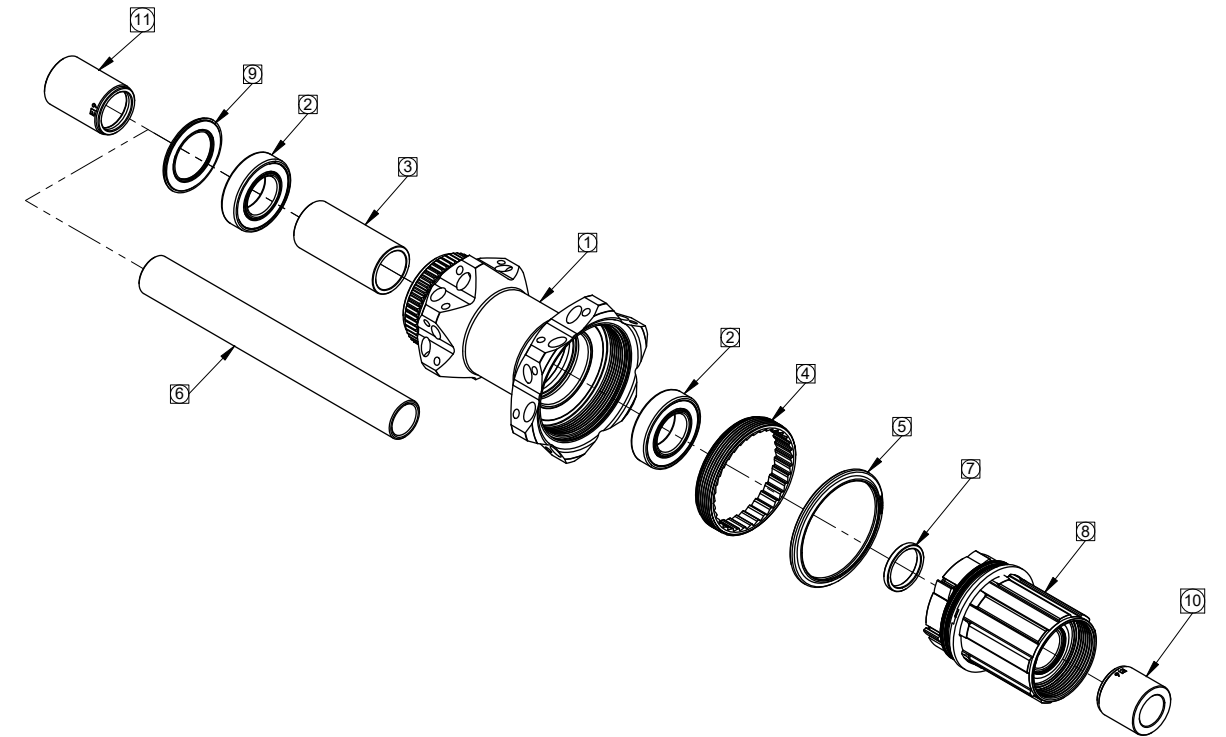


GW TR3 FRNT DB 12100 24H



ITEM #	PART #	DESCRIPTION	QTY
1	22114	HUB, GW MTN TR3 FRNT 10015 28H	1
2	20156	BEARING, 6902, ENDURO	1
3	22161	AXLE, GW FRONT TA	1
4	22122	END CAP, GW DB FRNT 15MM TA	1
5	N/A	See #4	

GW TR3E SPL DB 14212 24H



ITEM #	PART #	DESCRIPTION	QTY
1	22172	HUB, GW MTN TRe SHIM 14812 32H	
2	20156	BEARING, 6902, ENDURO	2
3	22162	SPACER, GW REAR AXLE	1
4	N/A	RATCHET RING	
5	N/A	Seal Ring	1
6	22169	AXLE, CrMo GW DB REAR 15/12/125 135/142	1
7	2099	SPACER, GW, RED 17.5*15*2.1 mm	1
8	22152	FREEHUB, GW TRe SHIM 6 PAWL	
9	N/A	Spacer	1
10	22128	END CAP, GW DB R 12/142/148/157 TA	
11	N/A	See #10	

ITEM #	PART #	DESCRIPTION	QTY
1	22152	FREEHUB, GW TRe SHIM 6 PAWL	1
	22153	FREEHUB, GW TRe XD 6 PAWL	1
2	20156	BEARING, 6902, ENDURO	3
3	20377	BEARING, 15267-2RS 15*26*7 LOGO:REVO CRE	1
4	N/A	BEARING	
5	N/A	SPACER	
6	N/A	PAWL SPRING	
7	N/A	PAWL	
8	N/A	SPACER	
9	N/A	SPACER	
10	N/A	FHB SEAL	
	22547	HUB, GW MTN TR3e XDR DB 14212 24H	

WARNING: The information contained herein is proprietary and confidential to Reynolds Cycling and Reynolds Cycling affiliates. This document is not intended for public distribution or disclosure. This document may be referenced and reproduced for and by Reynolds Cycling and Reynolds Cycling affiliates only.

G700 PRO HGR

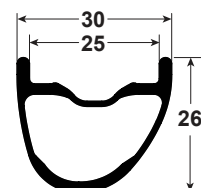
446-38956-1200	WS, BL G700 TSS CL HG 20_24H 142	
446-38956-2000	W, BL G700 TSS CL FRNT 20H 100	1
436-38807-6200	D RIM, H20 BL G700 20H	1
20917	RIM TAPE, TUBELESS 28MM 5.5 M	1
21860	HUB, i9 DB CL 12MM FRONT 20H	1
21602	SPOKE, SPM CX-RAY SP 300MM BLK	10
21603	SPOKE, SPM CX-RAY SP 301MM BLK	10
20311	NIPPLE, EXT BLACK ALLOY SQ HEAD	20
441-39344-A050	W ACC KIT, BASE +50 ALLOY FRNT	1
20356	VALVE STEM, TL ALLOY 50MM BLK	1
21869	END CAP, i9 DB FRT TA 15x100	1
446-38956-2200	W, BL G700 TSS CL HG 24H 142	1
436-38807-6240	D RIM, H20 BL G700 24H	1
20917	RIM TAPE, TUBELESS 28MM 5.5 M	1
21861	HUB, i9 DB CL 142/12 SHIM 24H	1
21745	SPOKE, SPM CX-RAY SP 295MM BLK	12
21599	SPOKE, SPM CX-RAY SP 296MM BLK	12
20311	NIPPLE, EXT BLACK ALLOY SQ HEAD	24
441-39343-A050	W ACC KIT, BASE +50 ALLOY	1
20356	VALVE STEM, TL ALLOY 50MM BLK	1

FREEHUB OPTIONS

21856	FREEHUB, i9 RB/DB SHIM 10/11SP
21857	FREEHUB, i9 RB/DB XDR 11/12SPD
21858	FREEHUB, i9 RB/DB CAMPY 11 SPD
423-39272	FREEHUB, i9 CAMPY N3W TORCH 13SPD W/DS E

END CAP OPTIONS

21867	END CAP, i9 DB FRT QR 9x100
21868	END CAP, i9 DB FRT TA 12x100
21879	END CAP, i9 DB FRT TA 15x100
21870	END CAP, i9 DB REAR QR 9x135
21871	END CAP, i9 DB REAR TA 12x142
21872	END CAP, i9 DB REAR TA 12x135



G700/G650

G700 PRO XDR

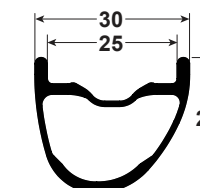
446-38956-1600	WS, BL G700 TSS CL XDR 20_24H 142	
446-38956-2000	W, BL G700 TSS CL FRNT 20H 100	1
436-38807-6200	D RIM, H20 BL G700 20H	1
20917	RIM TAPE, TUBELESS 28MM 5.5 M	1
21860	HUB, i9 DB CL 12MM FRONT 20H	1
21602	SPOKE, SPM CX-RAY SP 300MM BLK	10
21603	SPOKE, SPM CX-RAY SP 301MM BLK	10
20311	NIPPLE, EXT BLACK ALLOY SQ HEAD	20
441-39344-A050	W ACC KIT, BASE +50 ALLOY FRNT	1
20356	VALVE STEM, TL ALLOY 50MM BLK	1
21869	END CAP, i9 DB FRT TA 15x100	1
446-38956-2600	W, BL G700 TSS CL XDR 24H 142	1
436-38807-6240	D RIM, H20 BL G700 24H	1
20917	RIM TAPE, TUBELESS 28MM 5.5 M	1
21861	HUB, i9 DB CL 142/12 XD 24H	1
21745	SPOKE, SPM CX-RAY SP 295MM BLK	12
21599	SPOKE, SPM CX-RAY SP 296MM BLK	12
20311	NIPPLE, EXT BLACK ALLOY SQ HEAD	24
441-39343-A050	W ACC KIT, BASE +50 ALLOY	1
20356	VALVE STEM, TL ALLOY 50MM BLK	1

FREEHUB OPTIONS

21856	FREEHUB, i9 RB/DB SHIM 10/11SP
21857	FREEHUB, i9 RB/DB XDR 11/12SPD
21858	FREEHUB, i9 RB/DB CAMPY 11 SPD
423-39272	FREEHUB, i9 CAMPY N3W TORCH 13SPD W/DS E

END CAP OPTIONS

21867	END CAP, i9 DB FRT QR 9x100
21868	END CAP, i9 DB FRT TA 12x100
21879	END CAP, i9 DB FRT TA 15x100
21870	END CAP, i9 DB REAR QR 9x135
21871	END CAP, i9 DB REAR TA 12x142
21872	END CAP, i9 DB REAR TA 12x135



G700/G650

G650 PRO HGR

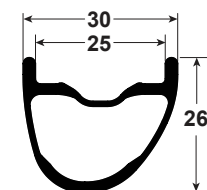
436-39259-1200	WS, BL G650 TSS CL HG 24/24H 142	
436-39259-2000	W, BL G650 TSS CL FRNT 20H 100	1
436-39263-6200	D RIM, H2O BL G650 20H	1
20917	RIM TAPE, TUBELESS 28MM 5.5 M	1
21860	HUB, i9 DB CL 12MM FRONT 20H	1
21594	SPOKE, SPM CX-RAY SP 281MM BLK	10
21595	SPOKE, SPM CX-RAY SP 282MM BLK	10
20311	NIPPLE, EXT BLACK ALLOY SQ HEAD	20
441-39344-A050	W ACC KIT, BASE +50 ALLOY FRNT	1
20356	VALVE STEM, TL ALLOY 50MM BLK	1
21869	END CAP, i9 DB FRT TA 15x100	1
436-39259-2200	W, BL G650 TSS CL HG 24H 142	1
436-39263-6240	D RIM, H2O BL G650 24H	1
20917	RIM TAPE, TUBELESS 28MM 5.5 M	1
21861	HUB, i9 DB CL 142/12 SHIM 24H	1
21529	SPOKE, SPM CX-RAY SP 274MM BLK	12
21577	SPOKE, SPM CX-RAY SP 278MM BLK	12
20311	NIPPLE, EXT BLACK ALLOY SQ HEAD	24
441-39343-A050	W ACC KIT, BASE +50 ALLOY	1
20356	VALVE STEM, TL ALLOY 50MM BLK	1

FREEHUB OPTIONS

21856	FREEHUB, i9 RB/DB SHIM 10/11SP
21857	FREEHUB, i9 RB/DB XDR 11/12SPD
21858	FREEHUB, i9 RB/DB CAMPY 11 SPD
423-39272	FREEHUB, i9 CAMPY N3W TORCH 13SPD W/DS E

END CAP OPTIONS

21867	END CAP, i9 DB FRT QR 9x100
21868	END CAP, i9 DB FRT TA 12x100
21870	END CAP, i9 DB FRT TA 15x100
21871	END CAP, i9 DB REAR QR 9x135
21872	END CAP, i9 DB REAR TA 12x135
21872	END CAP, i9 DB REAR TA 12x135



G700/G650

G650 PRO XDR

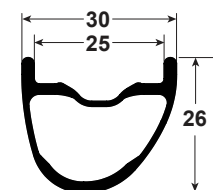
436-39259-1600	WS, BL G650 TSS CL XDR 24/24H 142	
436-39259-2000	W, BL G650 TSS CL FRNT 20H 100	1
436-39263-6200	D RIM, H2O BL G650 20H	1
20917	RIM TAPE, TUBELESS 28MM 5.5 M	1
21860	HUB, i9 DB CL 12MM FRONT 20H	1
21594	SPOKE, SPM CX-RAY SP 281MM BLK	10
21595	SPOKE, SPM CX-RAY SP 282MM BLK	10
20311	NIPPLE, EXT BLACK ALLOY SQ HEAD	20
441-39344-A050	W ACC KIT, BASE +50 ALLOY FRNT	1
20356	VALVE STEM, TL ALLOY 50MM BLK	1
21869	END CAP, i9 DB FRT TA 15x100	1
436-39259-2600	W, BL G650 TSS CL XDR 24H 142	1
436-39263-6240	D RIM, H2O BL G650 24H	1
20917	RIM TAPE, TUBELESS 28MM 5.5 M	1
21861	HUB, i9 DB CL 142/12 XD 24H	1
21529	SPOKE, SPM CX-RAY SP 274MM BLK	12
21577	SPOKE, SPM CX-RAY SP 278MM BLK	12
20311	NIPPLE, EXT BLACK ALLOY SQ HEAD	24
441-39343-A050	W ACC KIT, BASE +50 ALLOY	1
20356	VALVE STEM, TL ALLOY 50MM BLK	1

FREEHUB OPTIONS

21856	FREEHUB, i9 RB/DB SHIM 10/11SP
21857	FREEHUB, i9 RB/DB XDR 11/12SPD
21858	FREEHUB, i9 RB/DB CAMPY 11 SPD
423-39272	FREEHUB, i9 CAMPY N3W TORCH 13SPD W/DS E

END CAP OPTIONS

21867	END CAP, i9 DB FRT QR 9x100
21868	END CAP, i9 DB FRT TA 12x100
21870	END CAP, i9 DB FRT TA 15x100
21871	END CAP, i9 DB REAR QR 9x135
21872	END CAP, i9 DB REAR TA 12x135
21872	END CAP, i9 DB REAR TA 12x135



G700/G650

G700 EXPERT

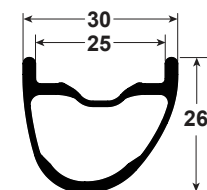
446-38957-1200	WS, BL G700r TSS CL HG 24/24H 142	
446-38957-2000	W, BL G700r TSS CL FRNT 24H 100	1
436-38807-6200	D RIM, H20 BL G700 20H	1
20917	RIM TAPE, TUBELESS 28MM 5.5 M	1
16-38965-C001	Super Bubba X Front 12 x 100	1
TBD	SPOKE, SPM CX-RAY SP 286MM BLK	10
TBD	SPOKE, SPM CX-RAY SP 287MM BLK	10
20311	NIPPLE, EXT BLACK ALLOY SQ HEAD	20
202-39025	FHB Assy SRAM XDR 3-Pawl	
441-39408-A050	W ACC KIT, BASE +50 ALLOY FRNT SBX	1
20356	VALVE STEM, TL ALLOY 50MM BLK	1
281-31519-K017	SRX CL 100/110 BUBBA CL100 F 15mm Cap Kt	1
446-38957-2200	W, BL G700r TSS CL HG 24H 142	1
436-38807-6240	D RIM, H20 BL G700 24H	1
20917	RIM TAPE, TUBELESS 28MM 5.5 M	1
16-38966-C001	Super Bubba X Rear 12x142 Shimano HG 11SPD 3-pawl	1
TBD	SPOKE, SPM CX-RAY SP 280MM BLK	12
TBD	SPOKE, SPM CX-RAY SP 283MM BLK	12
20311	NIPPLE, EXT BLACK ALLOY SQ HEAD	24
441-39343-A050	W ACC KIT, BASE +50 ALLOY	1
20356	VALVE STEM, TL ALLOY 50MM BLK	1

FREEHUB OPTIONS

202-39033	FHB ASSY SHIMANO HG 11SPD
202-39025	FHB ASSY XDR SUPER BUBBA X
202-39186	FHB ASSY SBX N3W

END CAP OPTIONS

281-31519-K018	SRX CL 100/110 BUBBA CL100 F 12mm Cap Kt
281-31519-K017	SRX CL 100/110 BUBBA CL100 F 15mm Cap Kt
281-31519-K020	SRX CL Rear QR HG End Cap Kit
281-31519-K014	SRX CL Rear 12mm HG End Cap Kit
281-31519-K021	SRX CL Rear QR XDR End Cap Kit
281-31519-K015	SRX CL Rear 12mm XDR End Cap Kit



G700/G650

G650 EXPERT

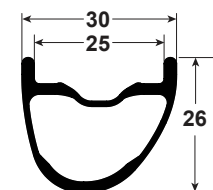
436-39260-1200	WS, BL G650r TSS CL HG 24/24H 142	
436-39260-2000	W, BL G650r TSS CL FRNT 24H 100	1
436-39263-6241	D RIM, H20 BL G650r 24H	1
20917	RIM TAPE, TUBELESS 28MM 5.5 M	1
16-38965-C001	Super Bubba X Front 12 x 100	1
TBD	SPOKE, SPM CX-RAY SP 269MM BLK	10
TBD	SPOKE, SPM CX-RAY SP 268MM BLK	10
20311	NIPPLE, EXT BLACK ALLOY SQ HEAD	20
441-39408-A050	W ACC KIT, BASE +50 ALLOY FRNT SBX	1
20356	VALVE STEM, TL ALLOY 50MM BLK	1
281-31519-K017	SRX CL 100/110 BUBBA CL100 F 15mm Cap Kt	
436-39260-2200	W, BL G650r TSS CL HG 24H 142	1
436-39263-6241	D RIM, H20 BL G650r 24H	1
20917	RIM TAPE, TUBELESS 28MM 5.5 M	1
16-38966-C001	Super Bubba X Rear 12x142 Shimano HG 11SPD 3-pawl	1
TBD	SPOKE, SPM CX-RAY SP 260MM BLK	12
TBD	SPOKE, SPM CX-RAY SP 264MM BLK	12
20311	NIPPLE, EXT BLACK ALLOY SQ HEAD	24
441-39343-A050	W ACC KIT, BASE +50 ALLOY	1
20356	VALVE STEM, TL ALLOY 50MM BLK	1

FREEHUB OPTIONS

202-39033	FHB ASSY SHIMANO HG 11SPD
202-39025	FHB ASSY XDR SUPER BUBBA X
202-39186	FHB ASSY SBX N3W

END CAP OPTIONS

281-31519-K018	SRX CL 100/110 BUBBA CL100 F 12mm Cap Kt
281-31519-K017	SRX CL 100/110 BUBBA CL100 F 15mm Cap Kt
281-31519-K020	SRX CL Rear QR HG End Cap Kit
281-31519-K014	SRX CL Rear 12mm HG End Cap Kit
281-31519-K021	SRX CL Rear QR XDR End Cap Kit
281-31519-K015	SRX CL Rear 12mm XDR End Cap Kit



G700/G650

G700

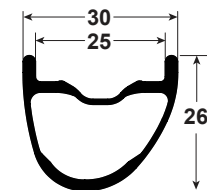
446-38954-1200	WS, G700 TSS CL HG 24_24H 142	
446-38954-2000	W, G700 TSS CL FRNT 24H 100	1
436-38806-5240	D RIM, G700 24H	1
20917	RIM TAPE, TUBELESS 28MM 5.5 M	1
16-38808-C001	SRX CL F Hub 24h Blk 100x12	1
20421	SPOKE, PDB 1415 SP 295MM BLK	24
20355	NIPPLE,EXT BLACK BRASS SQ HEAD	24
425-38988-0001	DECAL, VINYL G700	1
441-39344-B045	W ACC KIT, BASE +45 BRASS FRNT	1
21011	VALVE STEM, TUBELESS 45MM LONG	1
281-31519-K002	SRC/SRX Front Hub 15mm End Cap Kit	1
446-38954-2200	W, G700 TSS CL HG 24H 142	1
436-38806-5240	D RIM, G700 24H	1
20917	RIM TAPE, TUBELESS 28MM 5.5 M	1
16-38810-C001	SRX CL R Hub 24h 142x12 HG11 3P AL	1
21350	SPOKE, PDB 1415 SP 292MM BLK	12
20421	SPOKE, PDB 1415 SP 295MM BLK	12
20355	NIPPLE,EXT BLACK BRASS SQ HEAD	24
425-38988-0001	DECAL, VINYL G700	1
281-31520-K013	SRC/SRX FH BODY KIT XDR ALLOY 3-PAWL	1
441-39343-B045	W ACC KIT, BASE +45 BRASS	1
21011	VALVE STEM, TUBELESS 45MM LONG	1

FREEHUB OPTIONS

281-31520-K006	SRC/SRX FH Body Kit HG Rd Alloy 3 Pawl
281-31520-K013	SRC/SRX FH Body Kit XDR Alloy 3 Pawl

END CAP OPTIONS

281-31519-K019	SRX CL Front QR End Cap Kit
281-31519-K018	SRX CL Front 12mm End Cap Kit
281-31519-K017	SRX CL Front 15mm End Cap Kit
281-31519-K020	SRX CL Rear QR HG End Cap Kit
281-31519-K014	SRX CL Rear 12mm HG End Cap Kit
281-31519-K021	SRX CL Rear QR XDR End Cap Kit
281-31519-K015	SRX CL Rear 12mm XDR End Cap Kit



G700/G650

G650

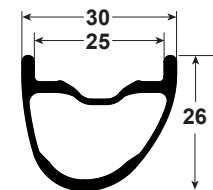
446-39257-1200	WS, G650 TSS CL SHIM 24/24H 142	
446-39257-2000	W, G650 TSS CL FRONT 24H 100	1
436-39262-5240	D RIM, G650 24H	1
20917	RIM TAPE, TUBELESS 28MM 5.5 M	1
16-38808-C001	SRX CL F Hub 24h Blk 100x12	1
21141	SPOKE, PDB 1415 SP 274MM BLK	24
20355	NIPPLE,EXT BLACK BRASS SQ HEAD	24
425-38991-001	DECAL, VINYL G650	1
441-39344-B045	W ACC KIT, BASE +45 BRASS FRNT	1
21011	VALVE STEM, TUBELESS 45MM LONG	1
281-31519-K002	SRC/SRX Front Hub 15mm End Cap Kit	1
446-39257-2200	W, G650 TSS CL SHIM 24H 142	1
436-39262-5240	D RIM, G650 24H	1
20917	RIM TAPE, TUBELESS 28MM 5.5 M	1
16-38810-C001	SRX CL R Hub 24h 142x12 HG11 3P AL	1
21141	SPOKE, PDB 1415 SP 274MM BLK	12
21141	SPOKE, PDB 1415 SP 274MM BLK	12
20355	NIPPLE,EXT BLACK BRASS SQ HEAD	24
425-38991-001	DECAL, VINYL G650	1
281-31520-K013	SRC/SRX FH BODY KIT XDR ALLOY 3-PAWL	1
441-39343-B045	W ACC KIT, BASE +45 BRASS	1
21011	VALVE STEM, TUBELESS 45MM LONG	1

FREEHUB OPTIONS

281-31520-K006	SRC/SRX FH Body Kit HG Rd Alloy 3 Pawl
281-31520-K013	SRC/SRX FH Body Kit XDR Alloy 3 Pawl

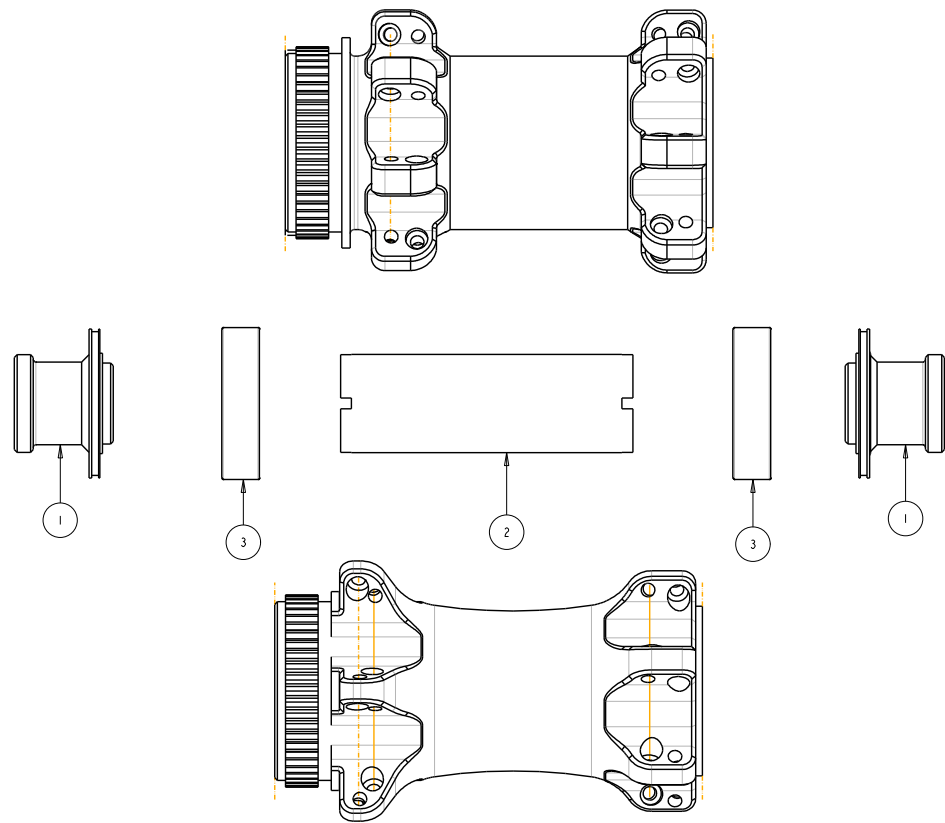
END CAP OPTIONS

281-31519-K019	SRX CL Front QR End Cap Kit
281-31519-K018	SRX CL Front 12mm End Cap Kit
281-31519-K017	SRX CL Front 15mm End Cap Kit
281-31519-K020	SRX CL Rear QR HG End Cap Kit
281-31519-K014	SRX CL Rear 12mm HG End Cap Kit
281-31519-K021	SRX CL Rear QR XDR End Cap Kit
281-31519-K015	SRX CL Rear 12mm XDR End Cap Kit



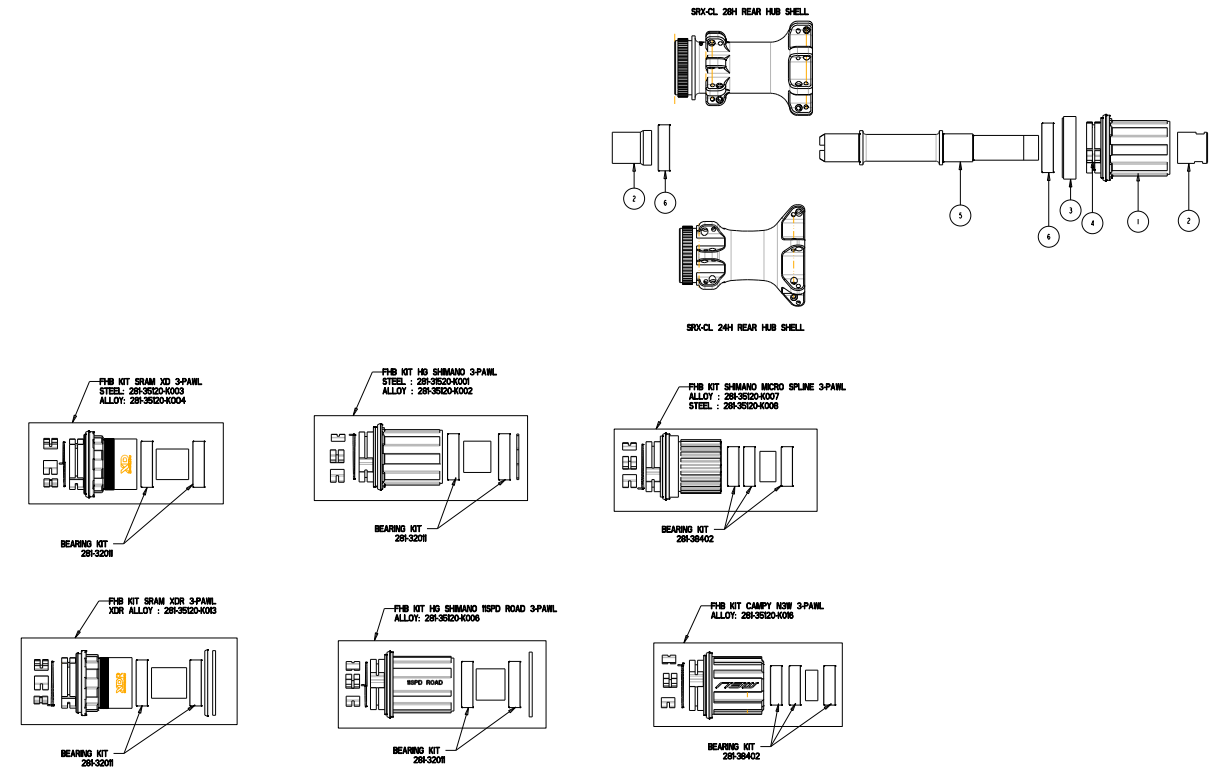
G700/G650

SRX-CL 24H-28H FRONT HUB



ITEM #	PART #	DESCRIPTION	QTY
1	281-31519-K019	ENCCAP KIT QR	1
	281-31519-K018	ENDCAP 12MM	1
	281-31519-K017	ENDCAP KIT 15MM	1
2	281-32015-K005	FRONT SPACER TUBE 100	1
3	281-32015-K004	FRONT SPACER TUBE 110	
	281-32011	BEARING KIT QTY2 BEARINGS	1

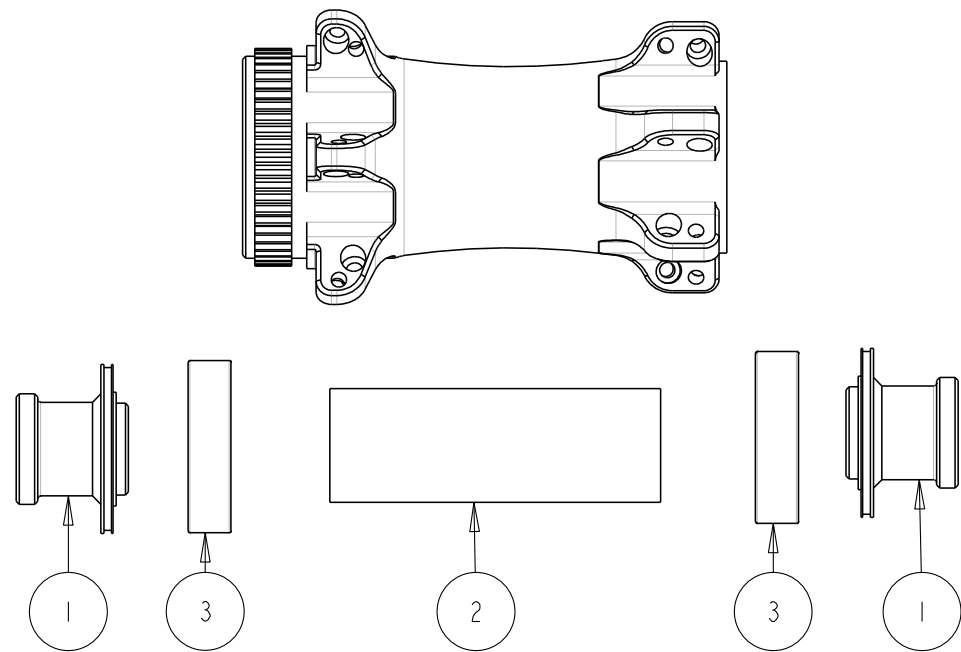
SRX-CL 24H-28H REAR HUBS



ITEM #	PART #	DESCRIPTION	QTY
1	281-31520-K001	SRC/SRX FH Body Kit HG Steel 3 Pawl	1
	281-31520-K002	SRC/SRX FH Body Kit HG Alloy 3 Pawl	1
	281-31520-K003	SRC/SRX FH Body Kit XD Steel 3 Pawl	1
	281-31520-K004	SRC/SRX FH Body Kit XD Alloy 3 Pawl	1
	281-31520-K006	SRC/SRX FH Body Kit HG R Alloy 3 Pawl	1
	281-31520-K007	SRC/SRX FH Body Kit MS Alloy 3 Pawl	1
	281-31520-K008	SRC/SRX FH Body Kit MS Steel 3 Pawl	1
	281-31520-K0013	SRC/SRX FH Body Kit XDR Alloy 3 Pawl	1
	281-31520-K0016	SRC/SRX FH Body Kit CAMP N3W 3-Pawl	1
2	281-31519-K014	SRX CL Rear 12mm HG End Cap Kit	1
	281-31519-K015	SRX CL Rear 12mm XD End Cap Kit	1
	281-31519-K016	SRX CL Rear 12mm MS End Cap Kit	1
	281-31519-K020	SRX CL Rear QR HG End Cap Kit	1
	281-31519-K021	SRX CL Rear QR XD End Cap Kit	1

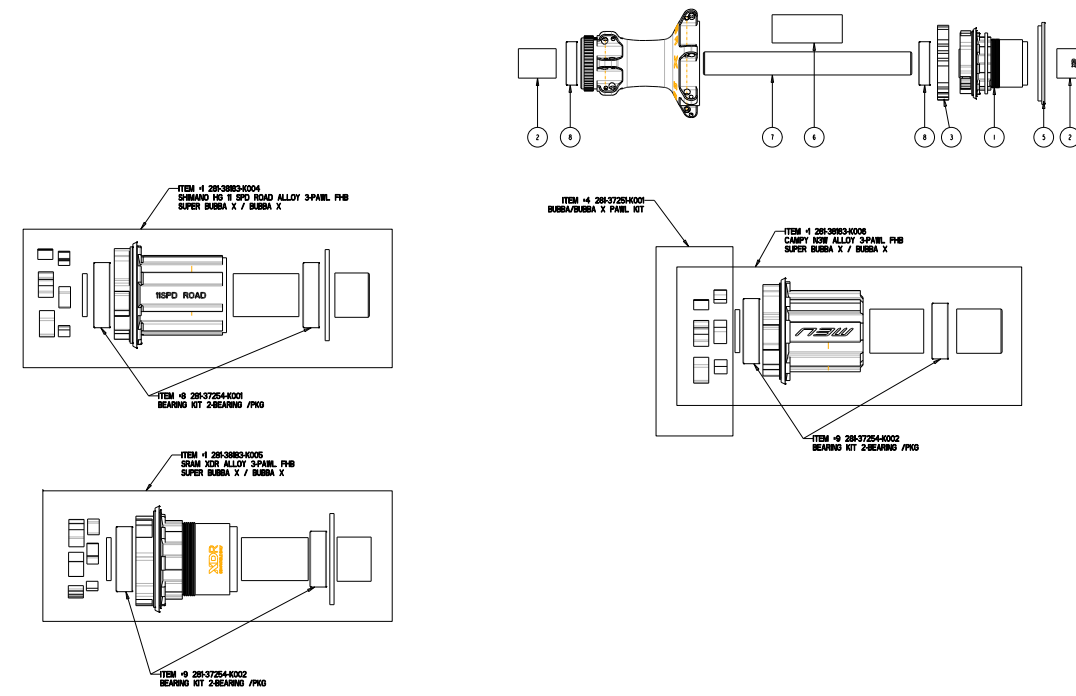
3	281-32014	SRC/SRX Ratchet Ring Kit	1
4	281-31620	SRC/SRX Pawl/Spring Kit 3 Pawl	1
5	281-32013-K011	SRC/SRX CL Rear Axle Kit 148 Alloy	1
	281-32013-K012	SRC/SRX CL Rear Axle Kit 150/157 Alloy	1
	281-32013-K013	SRC/SRX CL Rear Axle Kit 148 Steel	1
	281-32013-K014	SRC/SRX CL Rear Axle Kit 150/157 Steel	1
	281-32013-K015	SRC/SRX CL Rear Axle 135/142 Kit Alloy	1
	281-32013-K016	SRC/SRX CL Rear Axle 135/142 Kit Steel	1
6	281-38692	SRX CL Rear Bearing 6903/63803-D2	1
7	281-32011	SRC/SRX 6802 Bearing (26x12x7) Kit Qty 2	1
8	281-38402	SRC/SRX 63802 Bearing (24x17x7) Kit Qty 3	1

SUPER BUBBA FRONT 100 24H



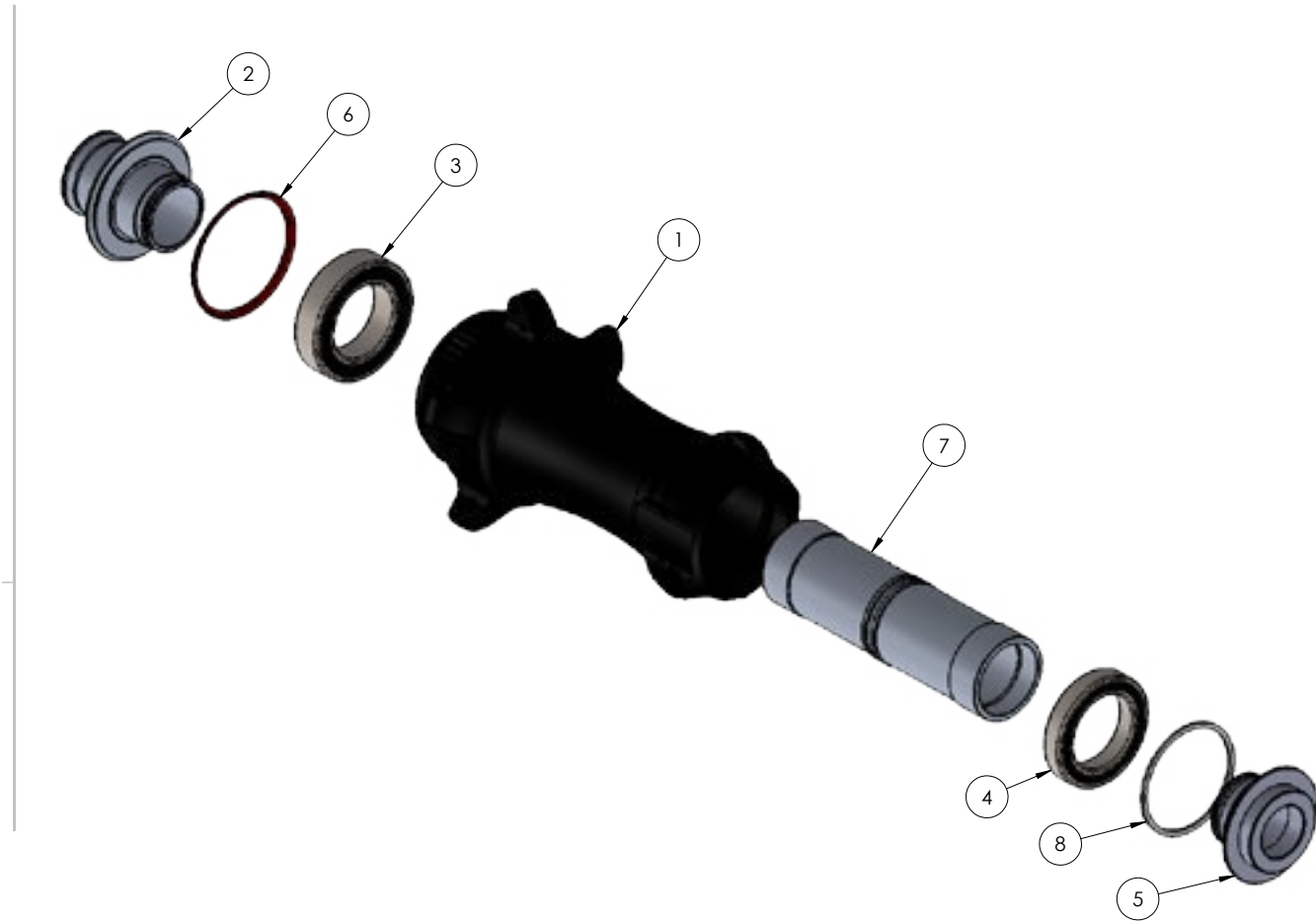
ITEM #	PART #	DESCRIPTION	QTY
1	281-31519-K018	SRX CL 100/110 Bubba CL100 F 12mm Cap Kt	1
	281-31519-K017	SRX CL 100/110 Bubba CL100 F 15mm Cap Kt	1
2	281-32015-K005	SRX/Bubba CL F Hub Spacer Kit 100mm	1
3	281-37254-K001	Bubba/Bubba X 6902 Bearing Kit - qty 2	1

SUPER BUBBA X 142 24H REAR



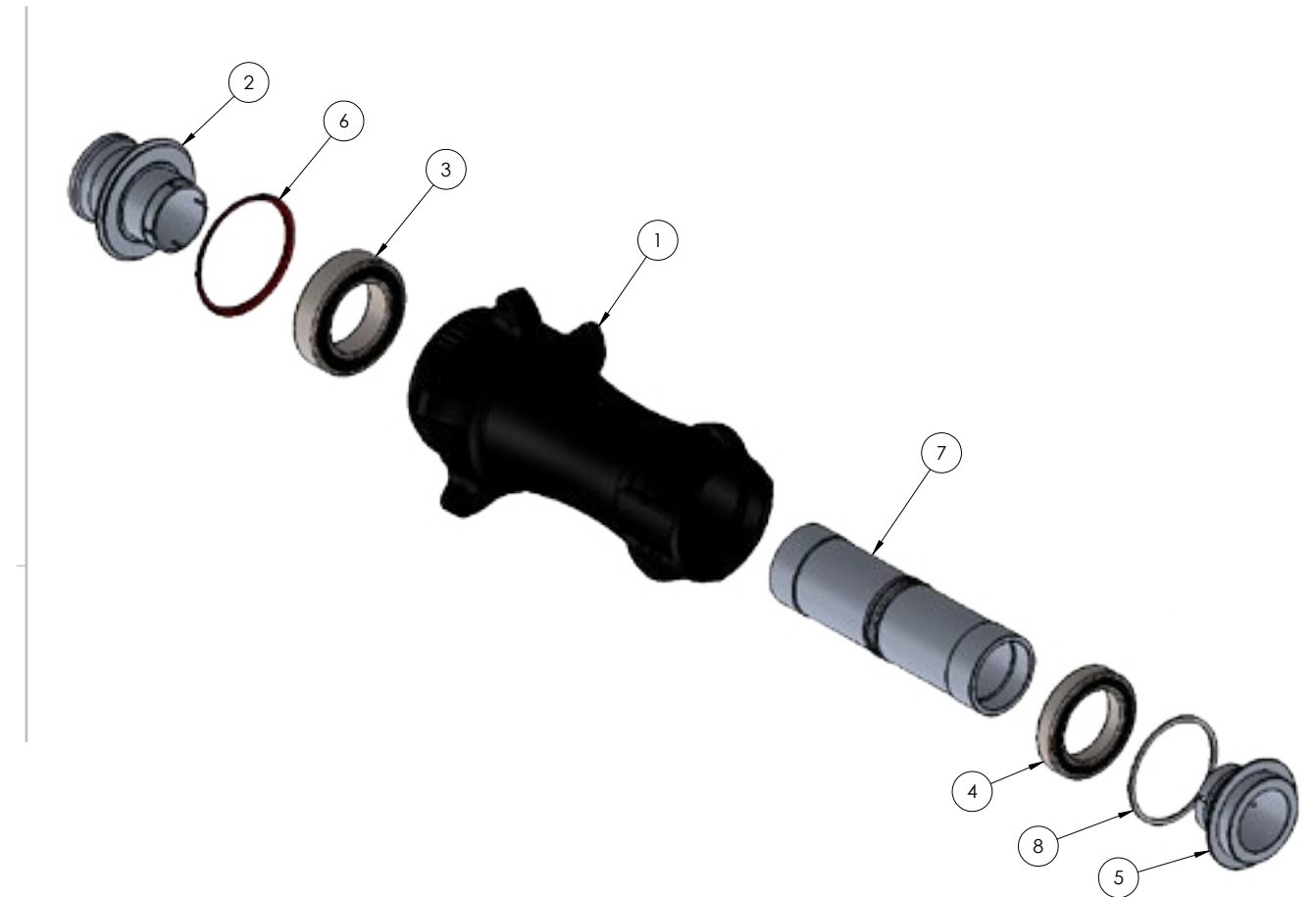
ITEM #	PART #	DESCRIPTION	QTY
1	281-38183-K004	Bubba X FH Body Kit - Shimano GH R Alloy	1
	281-38183-K005	Bubba X FH Body Kit - SRAM XDR Alloy	1
	281-38183-K006	Bubba X FH Body Kit - Campy N3W Alloy	1
2	281-37249-K008	Bubba X CL 12mm Rear End Cap Pair HG	1
	281-37249-K009	Bubba X CL 12mm Rear End Cap Pair XD	1
	281-37249-K012	Bubba X cl 12mm Rear End Cap Pair N3W	1
3	281-37250-K002	Bubba X Ratchet ring kit - Qty 1	1
4	281-37251-K001	Bubba/Bubba X Pawl Kit	1
5	281-37255-K001	Bubba/Bubba X Locking ring kit	1
6	281-37253-K008	Bubba X CL 142 R hub shell spacer kit	1
7	281-37256-K005	Bubba X CL 142x12 Axle Kit - Alloy	1
8	281-37254-K001	Bubba/Bubba X 6902 Bearing Kit - qty 2	1
9	281-37254-K002	Bubba/Bubba X MS/N3W/XDR FHB Bearing Kit	1

19 DB CL 12MM FRONT 20H



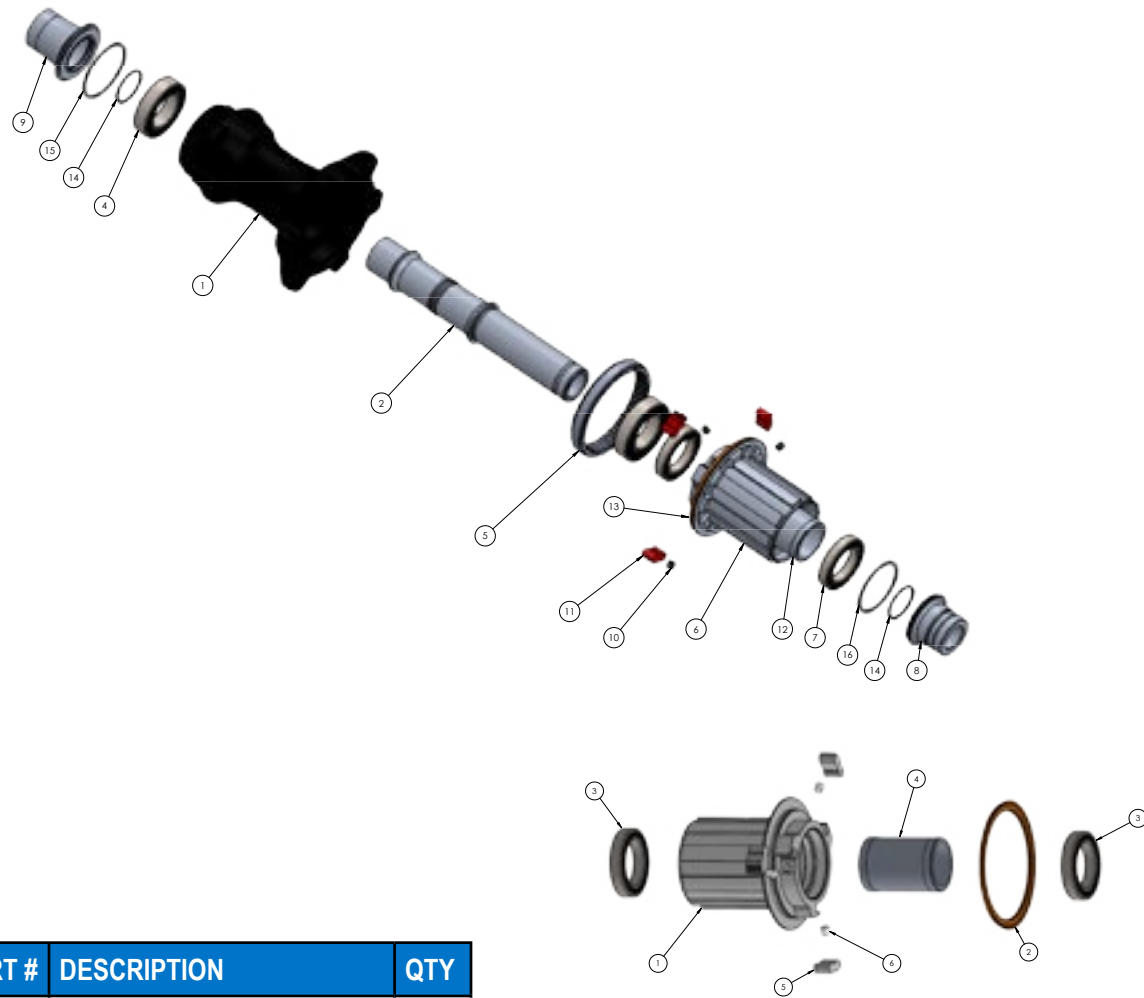
ITEM #	PART #	DESCRIPTION	QTY
1		Hub Shell	1
2	21868	END CAP, i9 DB FRT TA 12x100	1
3	20185	BEARING, MR17287	1
4	20167	BEARING, ENDURO 61803 ABEC 5	1
5	N/A	See Item 2	
6	N/A		
7	21784	AXLE, I9 DB FRONT 12/15/100	1
8	N/A		

19 DB CL 15MM FRONT 20H



ITEM #	PART #	DESCRIPTION	QTY
1		Hub Shell	1
2	21840	END CAP, i9 FRONT 15mm KIT	1
3	20185	BEARING, MR17287	1
4	20167	BEARING, ENDURO 61803 ABEC 5	1
5	N/A	See Item 2	
6	N/A		
7	21784	AXLE, I9 DB FRONT 12/15/100	1
8	N/A		

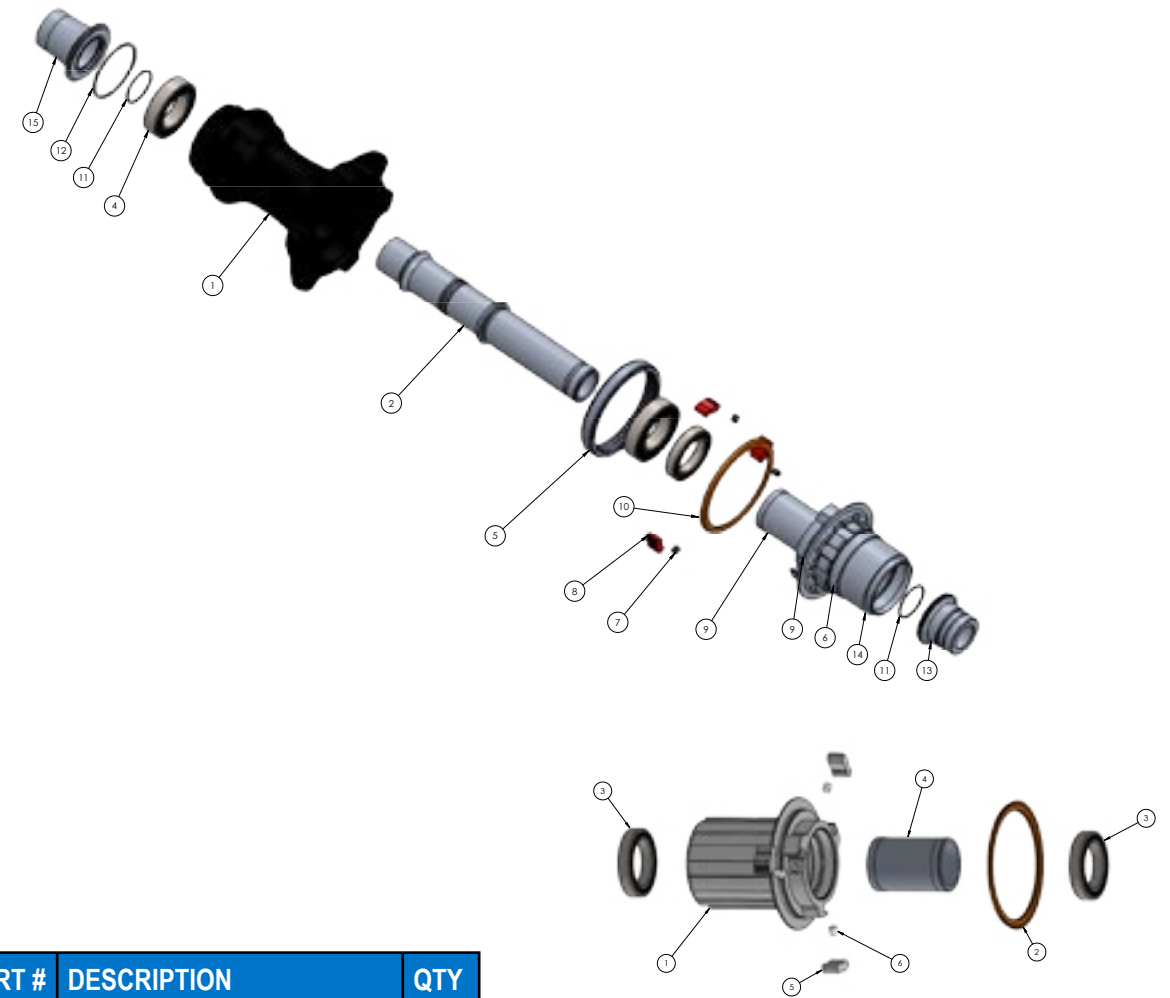
19 DB CL 14212 SHIM 24H



ITEM #	PART #	DESCRIPTION	QTY
1	N/A	Hub Shell	
2	21791	AXLE, i9 DB REAR CL 15/12/135	1
3	20168	BEARING, ENDURO 61903 ABEC 5	1
4	20185	BEARING, MR17287	1
5	21771	RATCHET RING i9	1
6	21856	FREEHUB, i9 RB/DB SHIM 10/11SP	1
7	20167	BEARING, ENDURO 61803 ABEC 5	1
8	21871	END CAP, i9 DB REAR TA 12x142	1
9	N/A	See Item 8	
10	21847	HUB, i9 ROAD 3 PAWL SPRING KIT	1
11	N/A	Pawl	
12	21793	SPACER, i9 REAR AXLE	1
13	N/A	Seal Ring	
14	N/A	o-ring	
15	N/A	teflon seal	
16	N/A	teflon seal	

ITEM #	PART #	DESCRIPTION	QTY
1	21856	FREEHUB, i9 RB/DB SHIM 10/11SP	1
	21857	FREEHUB, i9 RB/DB XDR 11/12SPD	1
	21858	FREEHUB, i9 RB/DB CAMPY 11 SPD	1
	423-39272	FREEHUB, i9 CAMPY N3W TORCH 13SPD W/DS E	1
2	N/A	SEAL RING	
3	20167	BEARING, ENDURO 61803 ABEC 5	2
4	21793	SPACER, i9 REAR AXLE	1
5	N/A	PAWL	
6	21847	HUB, i9 ROAD 3 PAWL SPRING KIT	1

19 DB CL 14212 XDR 24H



ITEM #	PART #	DESCRIPTION	QTY
1	N/A	Hub Shell	
2	21791	AXLE, i9 DB REAR CL 15/12/135	1
3	20168	BEARING, ENDURO 61903 ABEC 5	1
4	20185	BEARING, MR17287	1
5	21771	RATCHET RING i9	1
6	20167	BEARING, ENDURO 61803 ABEC 5	1
7	21847	HUB, i9 ROAD 3 PAWL SPRING KIT	1
8	N/A	Pawl	
9	21793	SPACER, i9 REAR AXLE	1
10	N/A	Seal Ring	
11	N/A	o-ring	
12	N/A	teflon seal	
13	21871	END CAP, i9 DB REAR TA 12x142	1
14	21857	FREEHUB, i9 RB/DB XDR 11/12SPD	1
15	N/A	See 13	

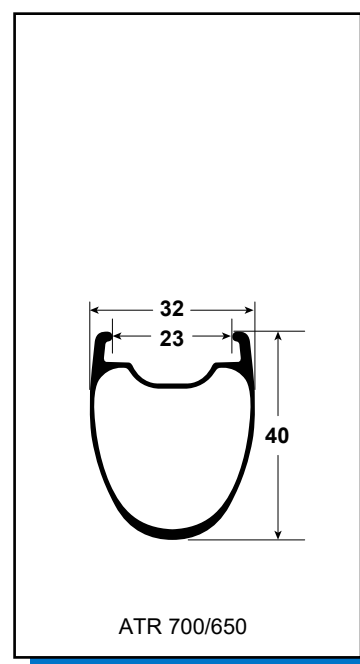
ITEM #	PART #	DESCRIPTION	QTY
1	21856	FREEHUB, i9 RB/DB SHIM 10/11SP	1
	21857	FREEHUB, i9 RB/DB XDR 11/12SPD	1
	21858	FREEHUB, i9 RB/DB CAMPY 11 SPD	1
	423-39272	FREEHUB, i9 CAMPY N3W TORCH 13SPD W/DS E	1
2	N/A	SEAL RING	
3	20167	BEARING, ENDURO 61803 ABEC 5	2
4	21793	SPACER, i9 REAR AXLE	1
5	N/A	PAWL	
6	21847	HUB, i9 ROAD 3 PAWL SPRING KIT	1

BLACKLABEL ATR 700C

78241	WS, BL ATR 700c DB TL SHIM 20/	
78243	W, BL ATR 700c DB TL FRNT 20H	1.00
67323	D RIM, BL ATR 700c H2O 20H	1.00
20311	NIPPLE,EXT BLACK ALLOY SQ HEAD	20.00
20332	WHEEL RAP HANG TAG	1.00
20919	RIM TAPE,TL 25MM 5.5M INSTALED	1.00
21532	SPOKE, SPM CX-RAY SP 288MM BLK	10.00
21768	SPOKE, SPM CX-RAY SP 287MM BLK	10.00
21860	HUB, i9 DB CL 12MM FRONT 20H	1.00
85582	W, ACC KIT, AM DB 60MM ALLOYTL F	1.00
78244	W, BL ATR 700c DB TL SHIM 24H	1.00
67325	D RIM, BL ATR 700c H2O 24H	1.00
20311	NIPPLE,EXT BLACK ALLOY SQ HEAD	24.00
20332	WHEEL RAP HANG TAG	1.00
20919	RIM TAPE,TL 25MM 5.5M INSTALED	1.00
21593	SPOKE, SPM CX-RAY SP 280MM BLK	12.00
21596	SPOKE, SPM CX-RAY SP 283MM BLK	12.00
21861	HUB, i9 DB CL 142/12 SHIM 24H	1.00
85582	W ACC KIT, 46 AERO TL DB REAR	1.00
78242	WS, BL ATR 700c DB TL XD 20/24	
78243	W, BL ATR 700c DB TL FRNT 20H	1.00
78245	W, BL ATR 700c DB TL XD 24H	1.00
67325	D RIM, BL ATR 700c H2O 24H	1.00
20311	NIPPLE,EXT BLACK ALLOY SQ HEAD	24.00
20919	RIM TAPE,TL 25MM 5.5M INSTALED	1.00
21593	SPOKE, SPM CX-RAY SP 280MM BLK	12.00
21596	SPOKE, SPM CX-RAY SP 283MM BLK	12.00
21866	HUB, i9 DB CL 142/12 XD 24H	1.00
85582	W, ACC KIT, AM DB 60MM ALLOYTL R	1.00

FREEHUB OPTIONS

21793	SPACER, I9 REAR AXLE
21791	AXLE, I9 DB REAR CL 15/12/1
21867	END CAP, I9 DB FRT QR 9X100
21868	END CAP, I9 DB FRT TA 12X100
21869	END CAP, I9 DB FRT TA 15X100
21870	END CAP, I9 DB REAR QR 9X135
21871	END CAP, I9 DB REAR TA 12X142
21872	END CAP, I9 DB REAR TA 12X135
21856	FREEHUB, I9 RB/DB SHIM 10/11SP
21857	FREEHUB, I9 RB/DB XDR 11/12SPD
21858	FREEHUB, I9 RB/DB CAMPY 11 SPD
20158	BEARING, MR17287
20167	BEARING, ENDURO 61803 ABEC 5
20168	BEARING, ENDURO 61903 ABEC 5
21847	HUB I9 ROAD 3 PAWL SPRING KIT

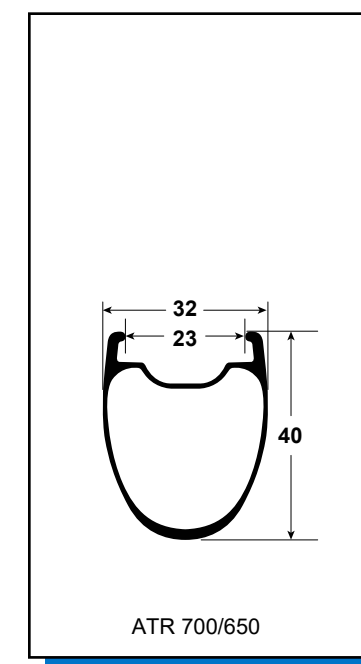


BLACKLABEL ATR 650B

78236	WS, BL ATR 650b DB TL SHIM 20/	
78238	W, BL ATR 650b DB TL FRNT 20H	1.00
67313	D RIM, BL ATR 650b H2O 20H	1.00
20311	NIPPLE,EXT BLACK ALLOY SQ HEAD	20.00
20332	WHEEL RAP HANG TAG	1.00
20919	RIM TAPE,TL 25MM 5.5M INSTALED	1.00
21589	SPOKE, SPM CX-RAY SP 268MM BLK	10.00
21590	SPOKE, SPM CX-RAY SP 269MM BLK	10.00
21860	HUB, i9 DB CL 12MM FRONT 20H	1.00
85581	W, ACC KIT, AM DB 60MM ALLOYTL F	1.00
78239	W, BL ATR 650b DB TL SHIM 24H	1.00
67315	D RIM, BL ATR 650b H2O 24H	1.00
20311	NIPPLE,EXT BLACK ALLOY SQ HEAD	24.00
20332	WHEEL RAP HANG TAG	1.00
20919	RIM TAPE,TL 25MM 5.5M INSTALED	1.00
21575	SPOKE, SPM CX-RAY SP 260MM BLK	12.00
21763	SPOKE, SPM CX-RAY SP 264MM BLK	12.00
21861	HUB, i9 DB CL 142/12 SHIM 24H	1.00
85582	W, ACC KIT, AM DB 60MM ALLOYTL R	1.00
78237	WS, BL ATR 650b DB TL XD 20/24	
78238	W, BL ATR 650b DB TL FRNT 20H	1.00
78240	W, BL ATR 650b DB TL XD 24H	1.00
67315	D RIM, BL ATR 650b H2O 24H	1.00
20311	NIPPLE,EXT BLACK ALLOY SQ HEAD	24.00
20332	WHEEL RAP HANG TAG	1.00
20919	RIM TAPE,TL 25MM 5.5M INSTALED	1.00
21575	SPOKE, SPM CX-RAY SP 260MM BLK	12.00
21763	SPOKE, SPM CX-RAY SP 264MM BLK	12.00
21866	HUB, i9 DB CL 142/12 XD 24H	1.00
85582	W, ACC KIT, AM DB 60MM ALLOYTL R	1.00

FREEHUB OPTIONS

21793	SPACER, I9 REAR AXLE
21791	AXLE, I9 DB REAR CL 15/12/1
21867	END CAP, I9 DB FRT QR 9X100
21868	END CAP, I9 DB FRT TA 12X100
21869	END CAP, I9 DB FRT TA 15X100
21870	END CAP, I9 DB REAR QR 9X135
21871	END CAP, I9 DB REAR TA 12X142
21872	END CAP, I9 DB REAR TA 12X135
21856	FREEHUB, I9 RB/DB SHIM 10/11SP
21857	FREEHUB, I9 RB/DB XDR 11/12SPD
21858	FREEHUB, I9 RB/DB CAMPY 11 SPD
20158	BEARING, MR17287
20167	BEARING, ENDURO 61803 ABEC 5
20168	BEARING, ENDURO 61903 ABEC 5
21847	HUB I9 ROAD 3 PAWL SPRING KIT

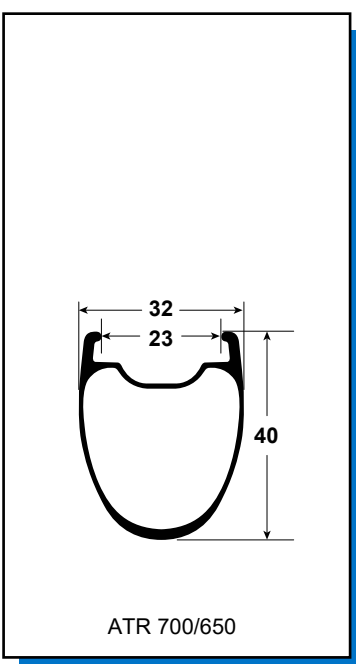


ATR X 700C

77321	WS, ATRx TL DB SHIM 24/24	
77323	W, ATRx TL DB FRONT 24H	1
67324	D RIM, HiO ATR TL DB 24H	1
20919	RIM TAPE, TL 25MM 5.5M INSTALED	1
22112	HUB, GW FRONT DB 12MM 24H	1
21626	SPOKE, SPM RACE 282MM SP BLK	24
20311	NIPPLE, EXT BLACK ALLOY SQ HEAD	24
20008	DECAL, REGISTER WHEELS	1
20007	DECAL, NOT INTENDED FOR RB USE	1
20332	WHEEL RAP HANG TAG	1
20119	BOX, TW DBLE WHL RNLD BOX	0.5
77324	W, ATRx TL DB SHIM 24H	1
67324	D RIM, HiO ATR TL DB 24H	1
20919	RIM TAPE, TL 25MM 5.5M INSTALED	1
22102	HUB, GW CL DB SHIM 12/142 24H	1
21624	SPOKE, SPM RACE 280MM SP BLK	12
21627	SPOKE, SPM RACE SP 283MM BLK	12
20311	NIPPLE, EXT BLACK ALLOY SQ HEAD	24
20008	DECAL, REGISTER WHEELS	1
20007	DECAL, NOT INTENDED FOR RB USE	1
20332	WHEEL RAP HANG TAG	1
20119	BOX, TW DBLE WHL RNLD BOX	0.5
85577	W ACC KIT, ASLT/ATR C TL DB FR	1
3040	9 X 12 X 4MIL ZIP LOCK BAG	1
20333	REYNOLDS NEW PROD WEBSITE CARD	1
21012	VALVE STEM, TUBELESS 55MM LONG	1
22122	END CAP, GW DB FRNT 15MM TA	1
85578	W ACC KIT, ASLT/ATR C TL DB RE	1
3040	9 X 12 X 4MIL ZIP LOCK BAG	1
20333	REYNOLDS NEW PROD WEBSITE CARD	1
21012	VALVE STEM, TUBELESS 55MM LONG	1

FREEHUB OPTIONS

20783	O-RING, GW DB END CAPS
22099	SPACER, GW, RED 17.5*15*2.1mm
22120	END CAP, GW DB FRNT 9MM QR
22121	END CAP, GW DB FRNT 12MM TA
22122	END CAP, GW DB FRNT 15MM TA
22124	END CAP, GW DB REAR 9/135 QR
22126	END CAP, GW DB R 12/135 TA
22128	END CAP, GW DB R 12/142 TA
22567	FREEHUB, GW TR3 XD 4 PAWL 3 BEARING
22568	FREEHUB, GW TR3 CAMPY 4 PAWL 3 BEARING
22569	FREEHUB, GW TR3 SPL 4 PAWL 3 BEARING
22570	FREEHUB, GW TR3 XDR 4 PAWL 3 BEARING
22161	AXLE, GW FRONT TA
22158	AXLE, GW DB REAR 15/12/125 ALLOY 135/142
22163	SEAL, GW REAR HUB NDS

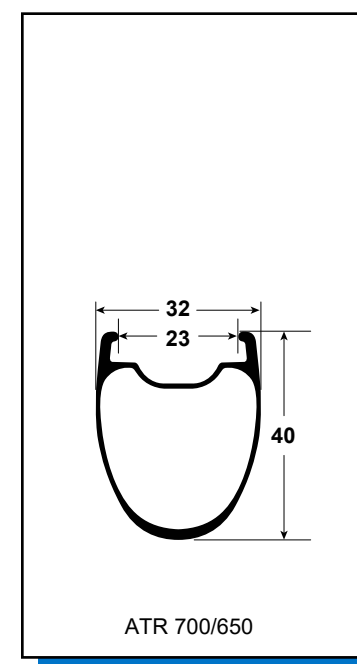


ATR X 650B

77311	WS, ATRx 650b TL DB SHIM 24/24	
77313	W, ATRx 650b TL DB FRONT 24H	1
67314	D RIM, HiO ATR 650b TL DB 24	1
20919	RIM TAPE, TL 25MM 5.5M INSTALED	1
22112	HUB, GW FRONT DB 12MM 24H	1
21611	SPOKE, SPM RACE SP 262MM BLK	24
20311	NIPPLE, EXT BLACK ALLOY SQ HEAD	24
20008	DECAL, REGISTER WHEELS	1
20007	DECAL, NOT INTENDED FOR RB USE	1
20332	WHEEL RAP HANG TAG	1
20119	BOX, TW DBLE WHL RNLD BOX	0.5
77314	W, ATRx 650b TL DB SHIM 24H	1
67314	D RIM, HiO ATR 650b TL DB 24	1
20919	RIM TAPE, TL 25MM 5.5M INSTALED	1
22102	HUB, GW CL DB SHIM 12/142 24H	1
21610	SPOKE, SPM RACE SP 260MM BLK	12
21613	SPOKE, SPM RACE SP 264MM BLK	12
20311	NIPPLE, EXT BLACK ALLOY SQ HEAD	24
20008	DECAL, REGISTER WHEELS	1
20007	DECAL, NOT INTENDED FOR RB USE	1
20332	WHEEL RAP HANG TAG	1
20119	BOX, TW DBLE WHL RNLD BOX	0.5
85577	W ACC KIT, ASLT/ATR C TL DB FR	1
3040	9 X 12 X 4MIL ZIP LOCK BAG	1
20333	REYNOLDS NEW PROD WEBSITE CARD	1
21012	VALVE STEM, TUBELESS 55MM LONG	1
22122	END CAP, GW DB FRNT 15MM TA	1
85578	W ACC KIT, ASLT/ATR C TL DB RE	1
3040	9 X 12 X 4MIL ZIP LOCK BAG	1
20333	REYNOLDS NEW PROD WEBSITE CARD	1
21012	VALVE STEM, TUBELESS 55MM LONG	1

FREEHUB OPTIONS

20783	O-RING, GW DB END CAPS
22099	SPACER, GW, RED 17.5*15*2.1mm
22120	END CAP, GW DB FRNT 9MM QR
22121	END CAP, GW DB FRNT 12MM TA
22122	END CAP, GW DB FRNT 15MM TA
22124	END CAP, GW DB REAR 9/135 QR
22126	END CAP, GW DB R 12/135 TA
22128	END CAP, GW DB R 12/142 TA
22567	FREEHUB, GW TR3 XD 4 PAWL 3 BEARING
22568	FREEHUB, GW TR3 CAMPY 4 PAWL 3 BEARING
22569	FREEHUB, GW TR3 SPL 4 PAWL 3 BEARING
22570	FREEHUB, GW TR3 XDR 4 PAWL 3 BEARING
22161	AXLE, GW FRONT TA
22158	AXLE, GW DB REAR 15/12/125 ALLOY 135/142
22163	SEAL, GW REAR HUB NDS

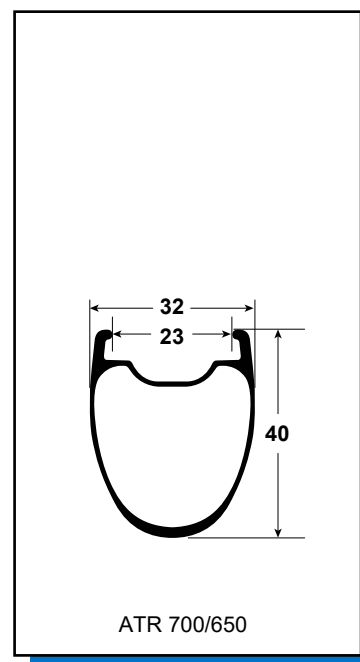


ATR 700C

78221	WS, ATR TL DB SHIM 24/24	
78223	W, ATR TL DB FRONT 24H	1
57324	D RIM, ATR TL DB 24H	1
20919	RIM TAPE, TL 25MM 5.5M INSTALED	1
22142	HUB, GW TR3 FRNT DB 12/100 24H	1
22414	SPOKE, SPM SPRINT SP 282MM BLK	24
20355	NIPPLE, EXT BLACK BRASS SQ HEAD	24
22320	DECAL, ATR DB 2018	1
20008	DECAL, REGISTER WHEELS	1
20007	DECAL, NOT INTENDED FOR RB USE	1
20332	WHEEL RAP HANG TAG	1
20119	BOX, TW DBLE WHL RNLD BOX	0.5
78224	W, ATR TL DB SHIM 24H	1
57324	D RIM, ATR TL DB 24H	1
20919	RIM TAPE, TL 25MM 5.5M INSTALED	1
22143	HUB, GW TR3 SHIM DB 142/12 24H	1
22412	SPOKE, SPM SPRINT SP 280MM BLK	12
22415	SPOKE, SPM SPRINT SP 283MM BLK	12
20355	NIPPLE, EXT BLACK BRASS SQ HEAD	24
22320	DECAL, ATR DB 2018	1
20008	DECAL, REGISTER WHEELS	1
20007	DECAL, NOT INTENDED FOR RB USE	1
20332	WHEEL RAP HANG TAG	1
20119	BOX, TW DBLE WHL RNLD BOX	0.5
85577	W ACC KIT, ASLT/ATR C TL DB FR	1
3040	9 X 12 X 4MIL ZIP LOCK BAG	1
20333	REYNOLDS NEW PROD WEBSITE CARD	1
21012	VALVE STEM, TUBELESS 55MM LONG	1
22122	END CAP, GW DB FRNT 15MM TA	1
85578	W ACC KIT, ASLT/ATR C TL DB RE	1
3040	9 X 12 X 4MIL ZIP LOCK BAG	1
20333	REYNOLDS NEW PROD WEBSITE CARD	1
21012	VALVE STEM, TUBELESS 55MM LONG	1

FREEHUB OPTIONS

20783	O-RING, GW DB END CAPS
22099	SPACER, GW, RED 17.5*15*2.1mm
22120	END CAP, GW DB FRNT 9MM QR
22121	END CAP, GW DB FRNT 12MM TA
22122	END CAP, GW DB FRNT 15MM TA
22124	END CAP, GW DB REAR 9/135 QR
22126	END CAP, GW DB R 12/135 TA
22128	END CAP, GW DB R 12/142 TA
22567	FREEHUB, GW TR3 XD 4 PAWL 3 BEARING
22568	FREEHUB, GW TR3 CAMPY 4 PAWL 3 BEARING
22569	FREEHUB, GW TR3 SPL 4 PAWL 3 BEARING
22570	FREEHUB, GW TR3 XDR 4 PAWL 3 BEARING
22161	AXLE, GW FRONT TA
22158	AXLE, GW DB REAR 15/12/125 ALLOY 135/142
22163	SEAL, GW REAR HUB NDS

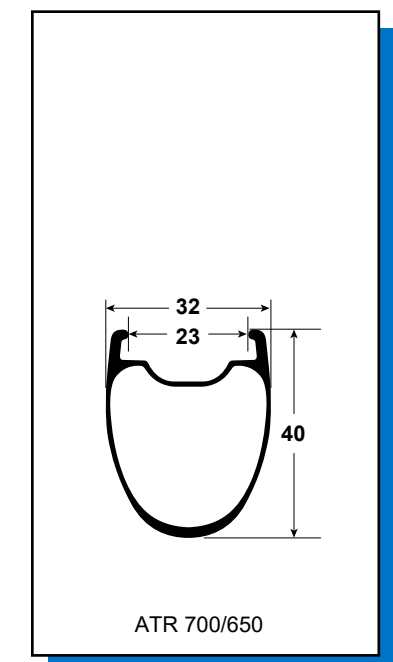


ATR 650B

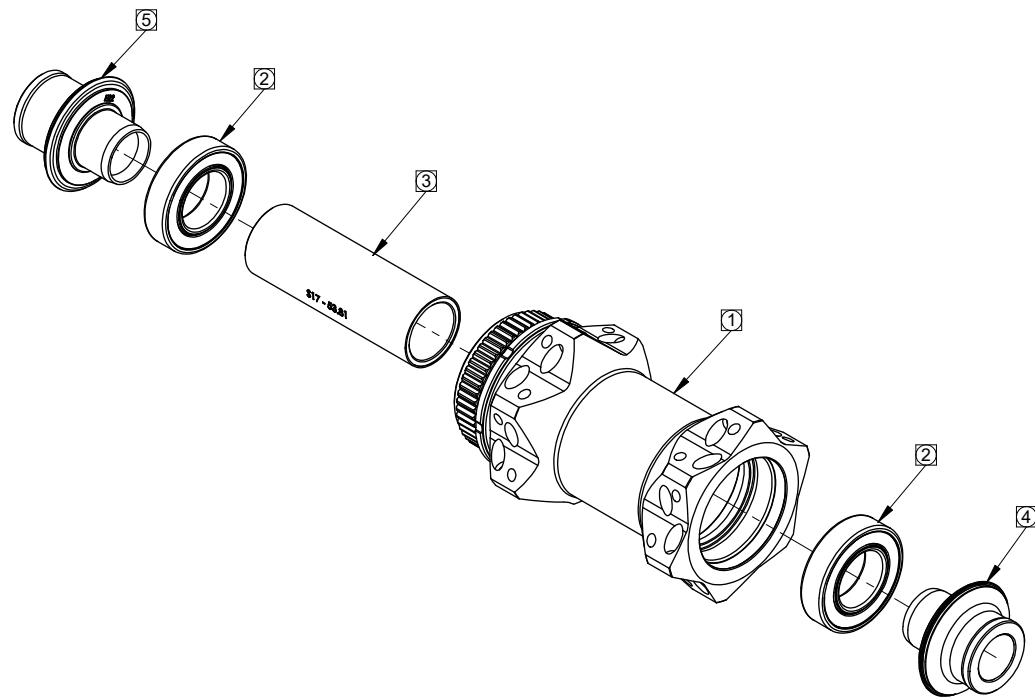
78211	WS, ATR 650b TL DB SHIM 24/24	
78213	W, ATR 650b TL DB FRONT 24H	1
57314	D RIM, ATR 650b TL DB 24H	1
20919	RIM TAPE, TL 25MM 5.5M INSTALED	1
22142	HUB, GW TR3 FRNT DB 12/100 24H	1
22394	SPOKE, SPM SPRINT SP 262MM BLK	24
20355	NIPPLE, EXT BLACK BRASS SQ HEAD	24
22320	DECAL, ATR DB 2018	1
20008	DECAL, REGISTER WHEELS	1
20007	DECAL, NOT INTENDED FOR RB USE	1
20332	WHEEL RAP HANG TAG	1
20119	BOX, TW DBLE WHL RNLD BOX	0.5
78214	W, ATR 650b TL DB SHIM 24H	1
57314	D RIM, ATR 650b TL DB 24H	1
20919	RIM TAPE, TL 25MM 5.5M INSTALED	1
22143	HUB, GW TR3 SHIM DB 142/12 24H	1
22392	SPOKE, SPM SPRINT SP 260MM BLK	12
22396	SPOKE, SPM SPRINT SP 264MM BLK	12
20355	NIPPLE, EXT BLACK BRASS SQ HEAD	24
22320	DECAL, ATR DB 2018	1
20008	DECAL, REGISTER WHEELS	1
20007	DECAL, NOT INTENDED FOR RB USE	1
20332	WHEEL RAP HANG TAG	1
20119	BOX, TW DBLE WHL RNLD BOX	0.5
85577	W ACC KIT, ASLT/ATR C TL DB FR	1
3040	9 X 12 X 4MIL ZIP LOCK BAG	1
20333	REYNOLDS NEW PROD WEBSITE CARD	1
21012	VALVE STEM, TUBELESS 55MM LONG	1
22122	END CAP, GW DB FRNT 15MM TA	1
85578	W ACC KIT, ASLT/ATR C TL DB RE	1
3040	9 X 12 X 4MIL ZIP LOCK BAG	1
20333	REYNOLDS NEW PROD WEBSITE CARD	1
21012	VALVE STEM, TUBELESS 55MM LONG	1

FREEHUB OPTIONS

20783	O-RING, GW DB END CAPS
22099	SPACER, GW, RED 17.5*15*2.1mm
22120	END CAP, GW DB FRNT 9MM QR
22121	END CAP, GW DB FRNT 12MM TA
22122	END CAP, GW DB FRNT 15MM TA
22124	END CAP, GW DB REAR 9/135 QR
22126	END CAP, GW DB R 12/135 TA
22128	END CAP, GW DB R 12/142 TA
22567	FREEHUB, GW TR3 XD 4 PAWL 3 BEARING
22568	FREEHUB, GW TR3 CAMPY 4 PAWL 3 BEARING
22569	FREEHUB, GW TR3 SPL 4 PAWL 3 BEARING
22570	FREEHUB, GW TR3 XDR 4 PAWL 3 BEARING
22161	AXLE, GW FRONT TA
22158	AXLE, GW DB REAR 15/12/125 ALLOY 135/142
22163	SEAL, GW REAR HUB NDS

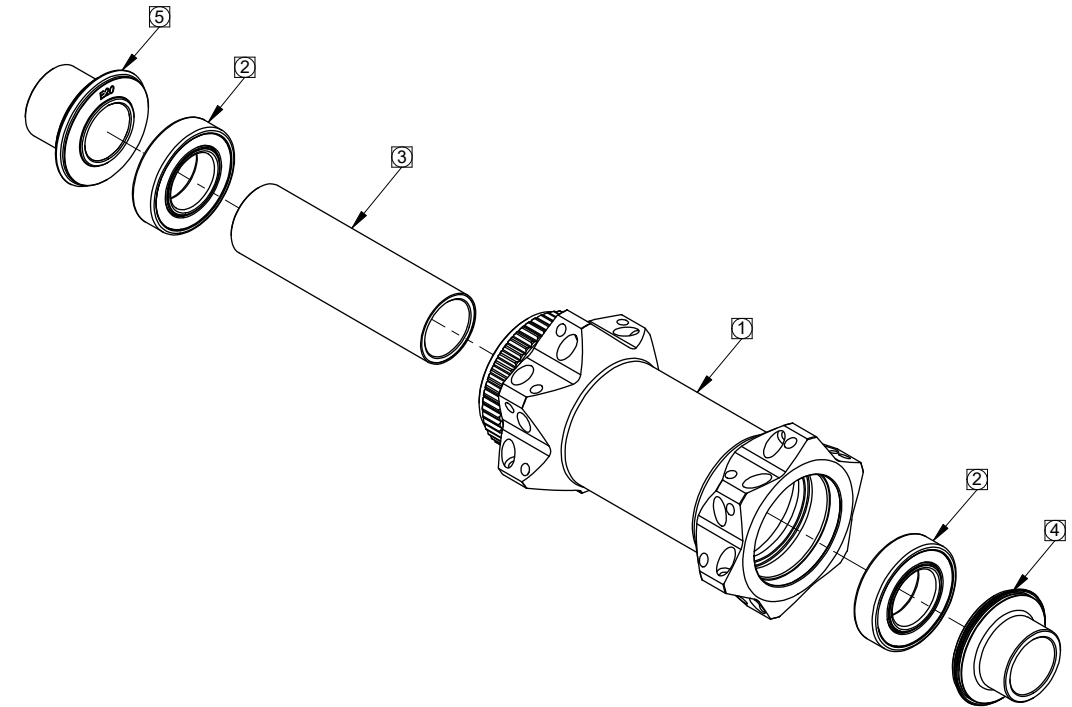


GW TR3 FRNT DB 12100 24H



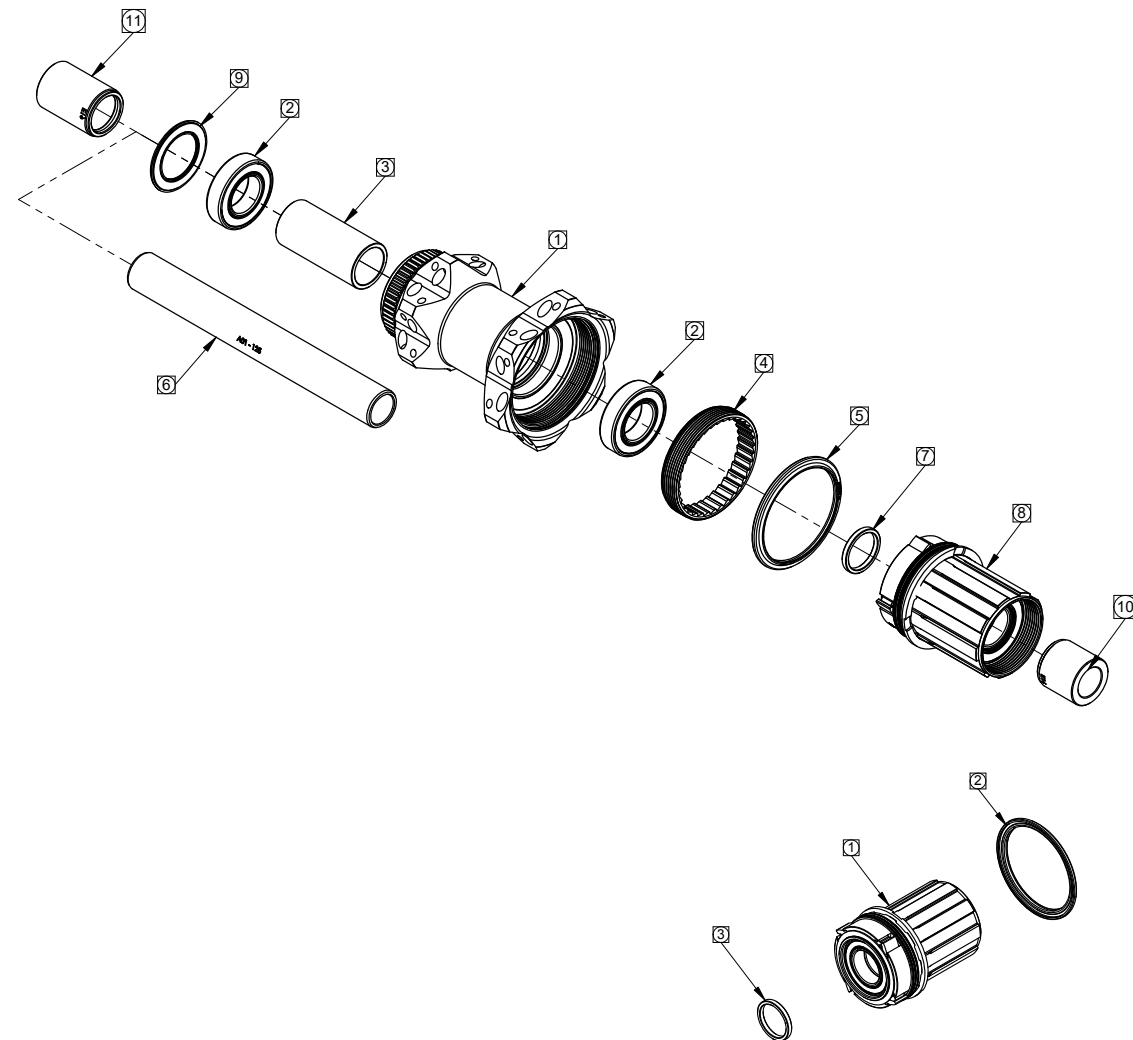
ITEM #	PART #	DESCRIPTION	QTY
1	N/A	Hub Shell	1
2	22121	END CAP, GW DB FRNT 12MM TA	1
3	N/A	See #2	
4	20156	BEARING, 6902, ENDURO	1
5	22161	AXLE, GW FRONT TA	1

GW MTN TR3 FRNT 15110 24H



ITEM #	PART #	DESCRIPTION	QTY
1	N/A	Hub Shell	1
2	22121	END CAP, GW DB FRNT 12MM TA	1
3	N/A	See #2	
4	20156	BEARING, 6902, ENDURO	1
5	22161	AXLE, GW FRONT TA	1

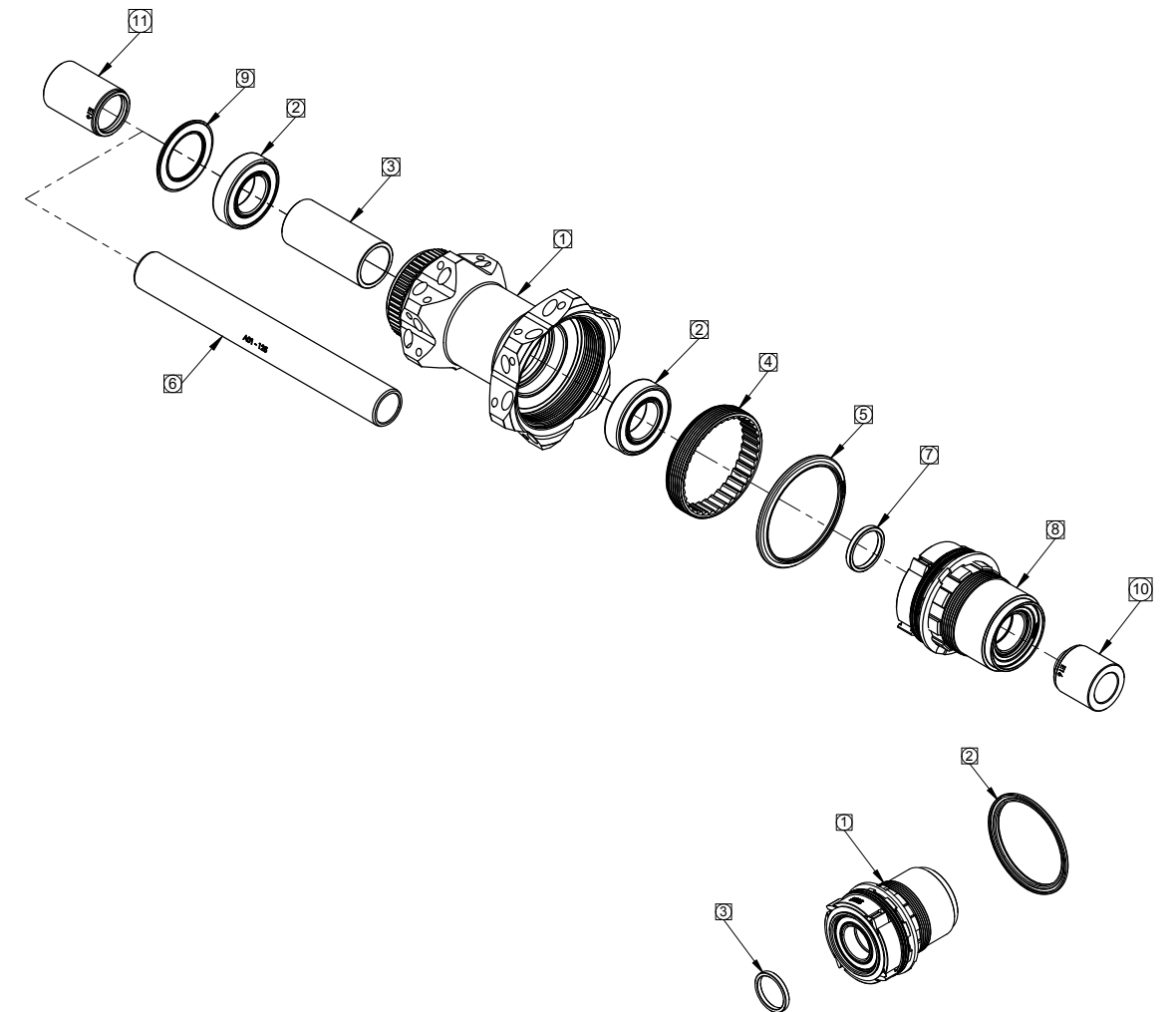
GW TR3 SHIM DB 14212 24H



ITEM #	PART #	DESCRIPTION	QTY
1	N/A	Hub Shell	
2	20156	BEARING, 6902, ENDURO	2
3	22162	SPACER, GW REAR AXLE	1
4	N/A	RATCHET RING	
5	N/A	Seal Ring	1
6	22158	AXLE, GW DB REAR 15/12/125 ALLOY 135/142	1
7	22569	FREEHUB, GW TR3 SPL 4 PAWL 3 BEARING	1
8	N/A	Spacer	
9	22130	END CAP, GW RB REAR QR 9/130	1
10	N/A	See 9	

ITEM #	PART #	DESCRIPTION	QTY
1	22569	FREEHUB, GW TR3 SPL 4 PAWL 3 BEARING	1
	22570	FREEHUB, GW TR3 XDR 4 PAWL 3 BEARING	1
	22568	FREEHUB, GW TR3 CAMPY 4 PAWL 3 BEARING	1
	423-39079	FREEHUB, GW CAMPY N3W 11-13SPD 4 PAWL 3 BEARING	1
2	N/A	SEAL RING	

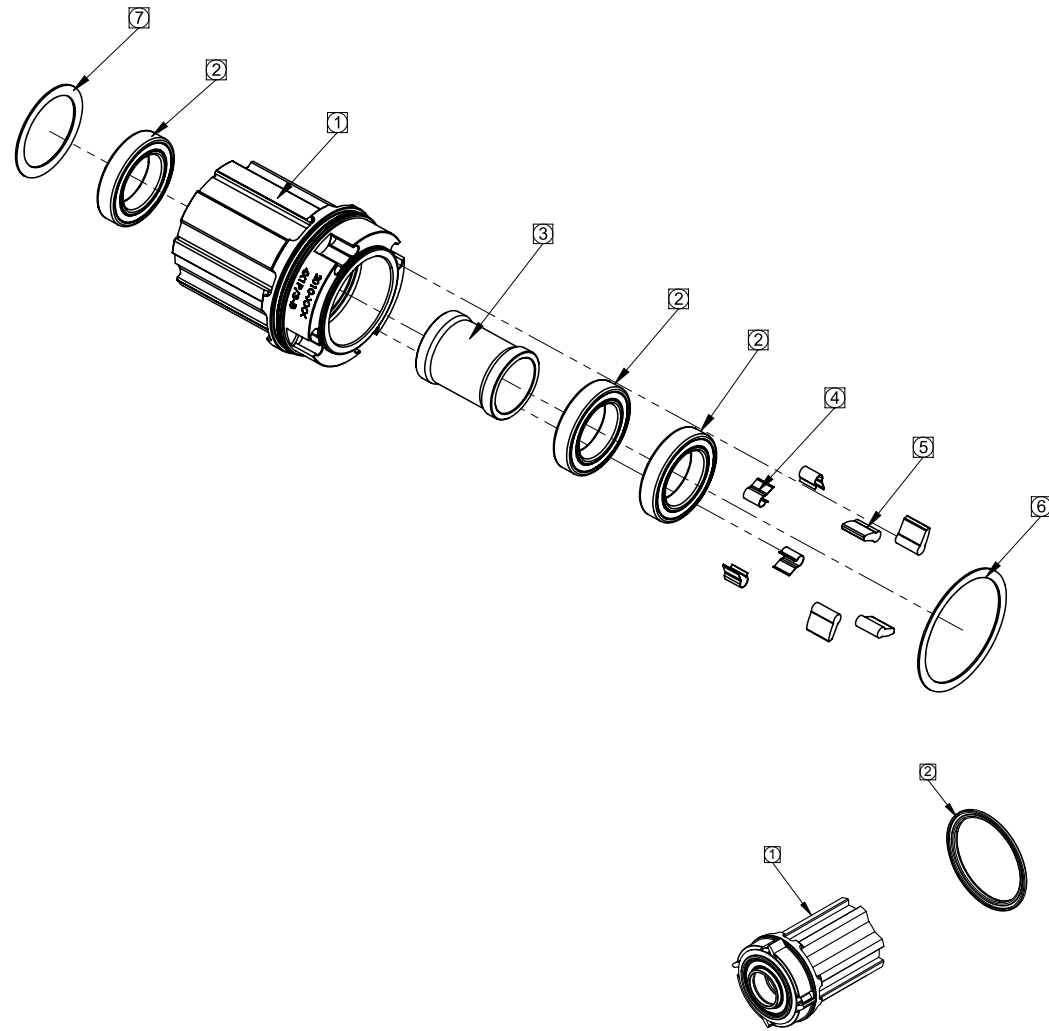
GW TR3 DB XDR 12142 24H



ITEM #	PART #	DESCRIPTION	QTY
1	N/A	Hub Shell	
2	20156	BEARING, 6902, ENDURO	2
3	22162	SPACER, GW REAR AXLE	1
4	N/A	RATCHET RING	
5	N/A	Seal Ring	1
6	22159	AXLE, GW RB REAR 15/20/120 ALLOY 130	1
7	22099	SPACER, GW, RED 17.5*15*2.1 mm	1
8	22570	FREEHUB, GW TR3 XDR 4 PAWL 3 BEARING	1
9	22130	END CAP, GW RB REAR QR 9/130	1
10	N/A	See 9	

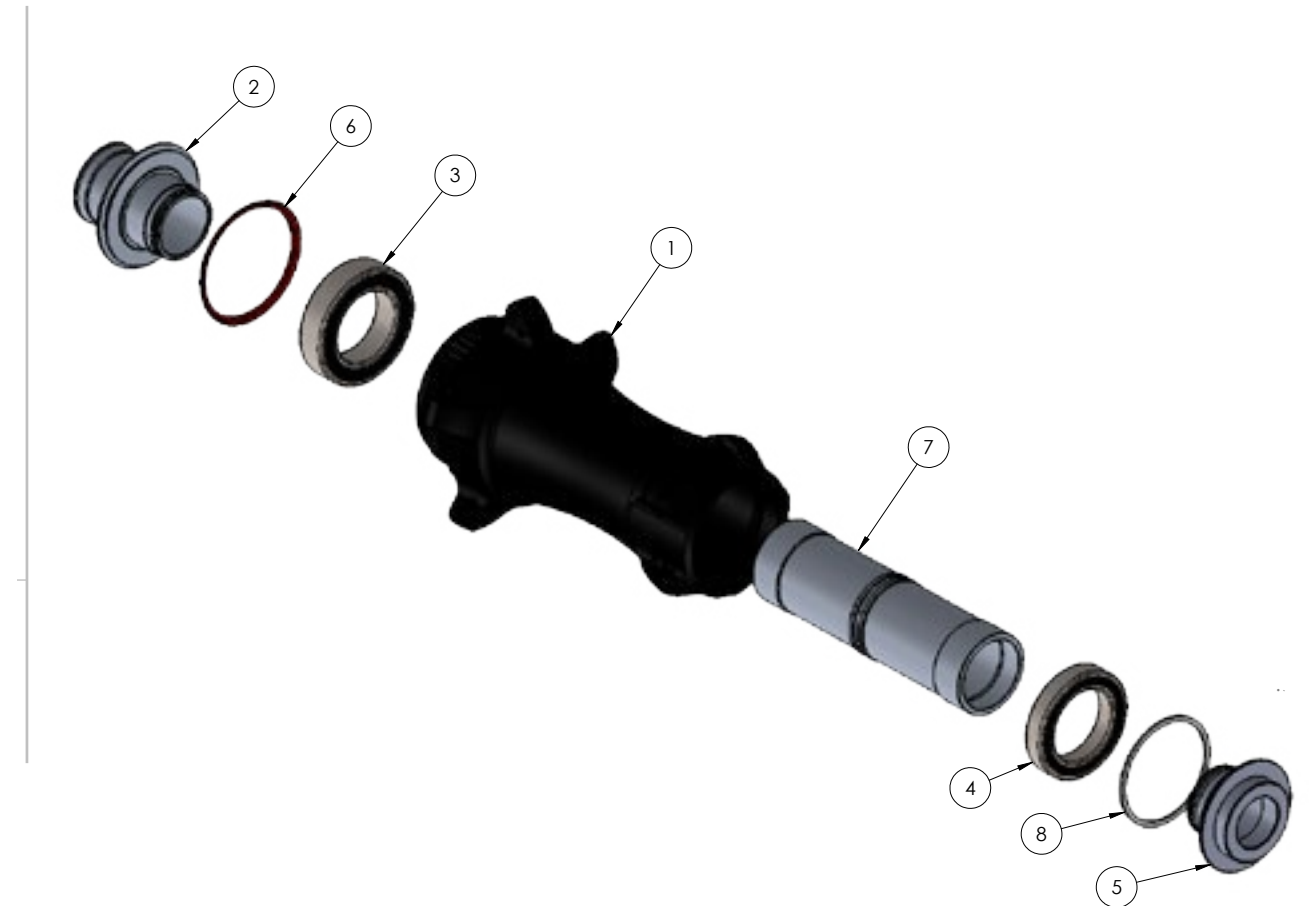
ITEM #	PART #	DESCRIPTION	QTY
1	22569	FREEHUB, GW TR3 SPL 4 PAWL 3 BEARING	1
	22570	FREEHUB, GW TR3 XDR 4 PAWL 3 BEARING	1
	22568	FREEHUB, GW TR3 CAMPY 4 PAWL 3 BEARING	1
	423-39079	FREEHUB, GW CAMPY N3W 11-13SPD 4 PAWL 3 BEARING	1
2	N/A	SEAL RING	

GW CAMPY N3W 11-13SPD



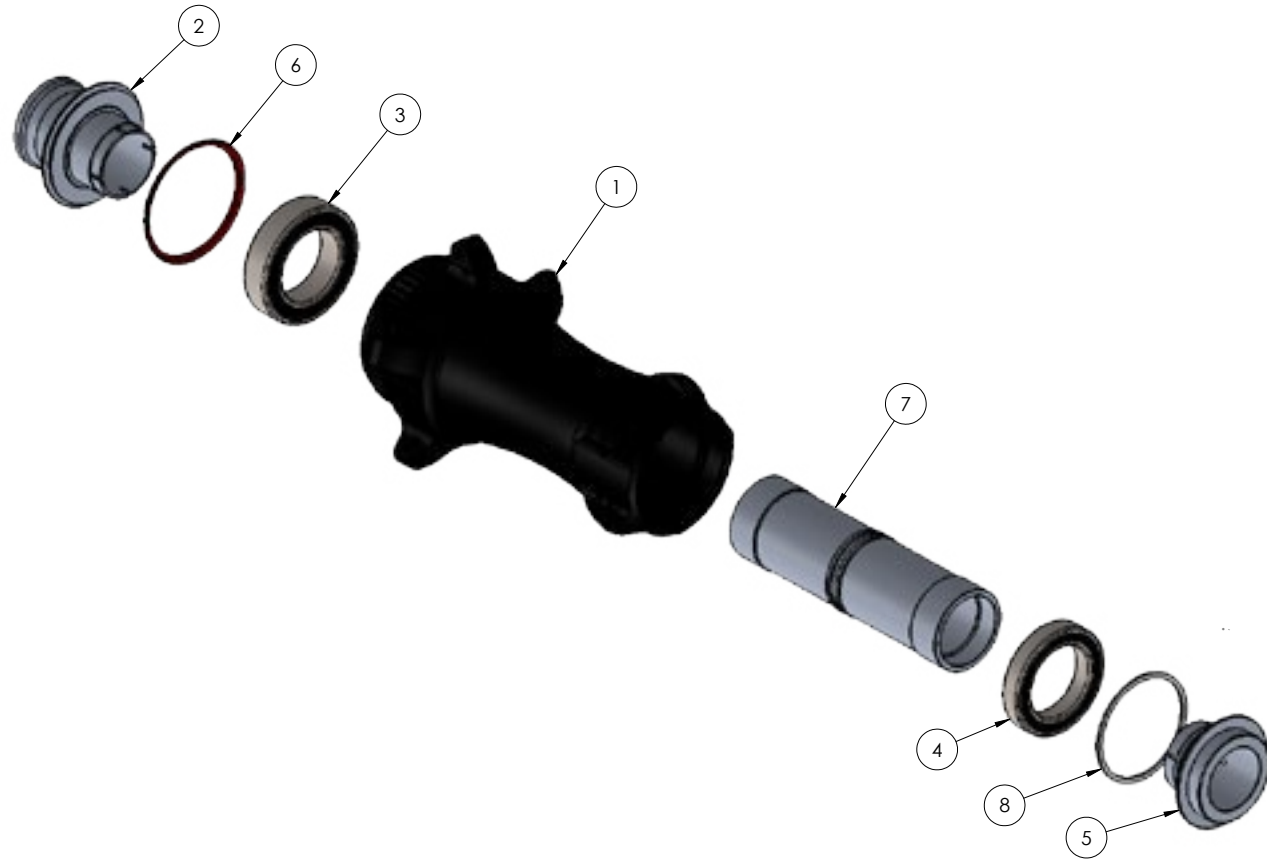
ITEM #	PART #	DESCRIPTION	QTY
1	22569	FREEHUB, GW TR3 SPL 4 PAWL 3 BEARING	1
	22570	FREEHUB, GW TR3 XDR 4 PAWL 3 BEARING	1
	22568	FREEHUB, GW TR3 CAMPY 4 PAWL 3 BEARING	1
	423-39079	FREEHUB, GW CAMPY N3W 11-13SPD 4 PAWL 3 BEARING	1
2	N/A	SEAL RING	

I9 DB CL 12MM FRONT 20H



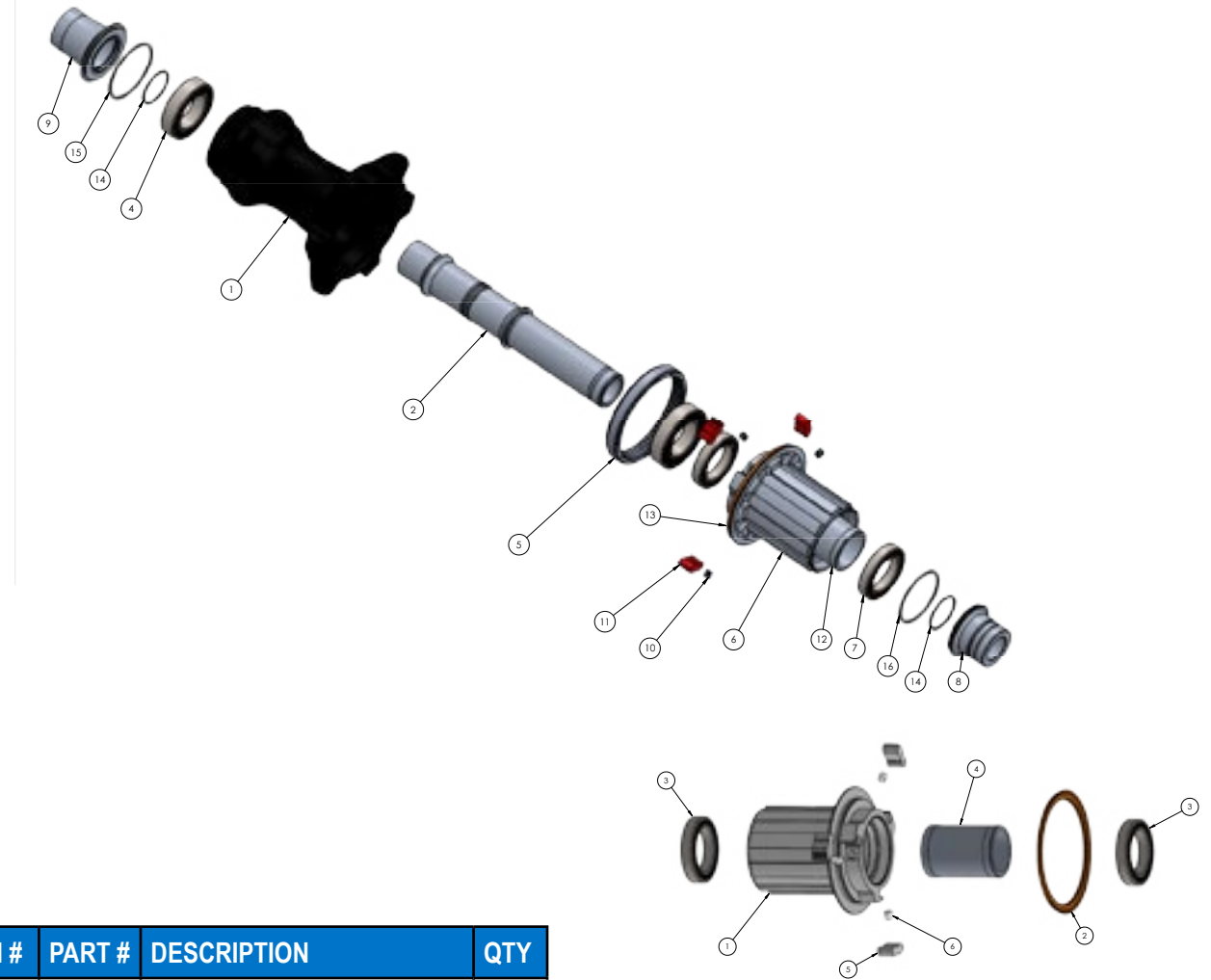
ITEM #	PART #	DESCRIPTION	QTY
1		Hub Shell	1
2	21868	END CAP, I9 DB FRT TA 12x100	1
3	20185	BEARING, MR17287	1
4	20167	BEARING, ENDURO 61803 ABEC 5	1
5	N/A	See Item 2	
6	N/A		
7	21784	AXLE, I9 DB FRONT 12/15/100	1
8	N/A		

I9 DB CL 15MM FRONT 20H



ITEM #	PART #	DESCRIPTION	QTY
1		Hub Shell	1
2	21840	END CAP, i9 FRONT 15mm KIT	1
3	20185	BEARING, MR17287	1
4	20167	BEARING, ENDURO 61803 ABEC 5	1
5	N/A	See Item 2	
6	N/A		
7	21784	AXLE, I9 DB FRONT 12/15/100	1
8	N/A		

I9 DB CL 14212 SHIM 24H

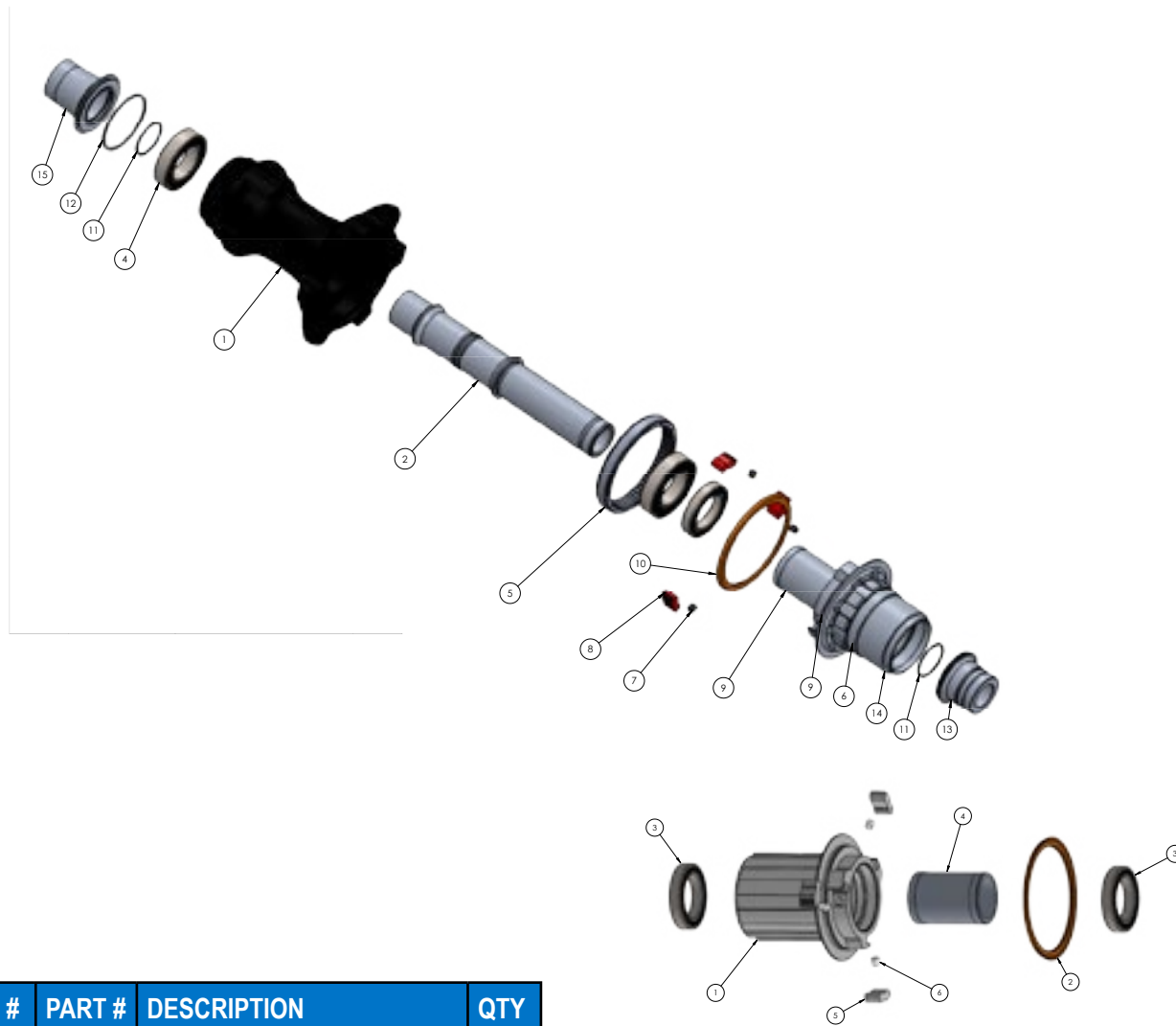


ITEM #	PART #	DESCRIPTION	QTY
1	N/A	Hub Shell	
2	21791	AXLE, i9 DB REAR CL 15/12/135	1
3	20168	BEARING, ENDURO 61903 ABEC 5	1
4	20185	BEARING, MR17287	1
5	21771	RATCHET RING i9	1
6	21856	FREEHUB, i9 RB/DB SHIM 10/11SP	1
7	20167	BEARING, ENDURO 61803 ABEC 5	1
8	21871	END CAP, i9 DB REAR TA 12x142	1
9	N/A	See Item 8	
10	21847	HUB, i9 ROAD 3 PAWL SPRING KIT	1
11	N/A	Pawl	
12	21793	SPACER, i9 REAR AXLE	1
13	N/A	Seal Ring	
14	N/A	o-ring	
15	N/A	teflon seal	
16	N/A	teflon seal	

ITEM #	PART #	DESCRIPTION	QTY
1	21856	FREEHUB, i9 RB/DB SHIM 10/11SP	1
	21857	FREEHUB, i9 RB/DB XDR 11/12SPD	1
	21858	FREEHUB, i9 RB/DB CAMPY 11 SPD	1
	423-39272	FREEHUB, i9 CAMPY N3W TORCH 13SPD W/DS E	1
2	N/A	SEAL RING	
3	20167	BEARING, ENDURO 61803 ABEC 5	2
4	21793	SPACER, i9 REAR AXLE	1
5	N/A	PAWL	
6	21847	HUB, i9 ROAD 3 PAWL SPRING KIT	1

I9 DB CL 14212 XDR 24H

NOTES



ITEM #	PART #	DESCRIPTION	QTY
1	N/A	Hub Shell	
2	21791	AXLE, i9 DB REAR CL 15/12/135	1
3	20168	BEARING, ENDURO 61903 ABEC 5	1
4	20185	BEARING, MR17287	1
5	21771	RATCHET RING i9	1
6	20167	BEARING, ENDURO 61803 ABEC 5	1
7	21847	HUB, i9 ROAD 3 PAWL SPRING KIT	1
8	N/A	Pawl	
9	21793	SPACER, i9 REAR AXLE	1
10	N/A	Seal Ring	
11	N/A	o-ring	
12	N/A	teflon seal	
13	21871	END CAP, i9 DB REAR TA 12x142	1
14	21857	FREEHUB, i9 RB/DB XDR 11/12SPD	1
15	N/A	See 13	

ITEM #	PART #	DESCRIPTION	QTY
1	21856	FREEHUB, i9 RB/DB SHIM 10/11SP	1
	21857	FREEHUB, i9 RB/DB XDR 11/12SPD	1
	21858	FREEHUB, i9 RB/DB CAMPY 11 SPD	1
	423-39272	FREEHUB, i9 CAMPY N3W TORCH 13SPD W/DS E	1
2	N/A	SEAL RING	
3	20167	BEARING, ENDURO 61803 ABEC 5	2
4	21793	SPACER, i9 REAR AXLE	1
5	N/A	PAWL	
6	21847	HUB, i9 ROAD 3 PAWL SPRING KIT	1

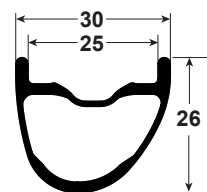
WARNING: The information contained herein is proprietary and confidential to Reynolds Cycling and Reynolds Cycling affiliates. This document is not intended for public distribution or disclosure. This document may be referenced and reproduced for and by Reynolds Cycling and Reynolds Cycling affiliates only.

BLACKLABEL 259 XC

79566	WS, 29 BL259 ASYM BST SPL24/28	
79568	W, 29 BL259 ASYM BST FRNT 24H	1
20311	NIPPLE,EXT BLACK ALLOY SQ HEAD	24
20920	RIM TAPE,TL 28MM 5.5M INSTALED	1
21600	SPOKE, SPM CX-RAY SP 297MM BLK	12
21745	SPOKE, SPM CX-RAY SP 295MM BLK	12
22545	HUB, I9 HDMTN SPCL 24H110X15TA	1
22219	DECAL, H ₂ O 29ER XC 2017	1
57563	D RIM, 29ER XC BL ASYM 24H	1
85513	W ACC KIT, MTN ASYM TL FRONT	1
79569	W, 29 BL259 ASYM 148 SPL 28H	1
20311	NIPPLE,EXT BLACK ALLOY SQ HEAD	28
20920	RIM TAPE,TL 28MM 5.5M INSTALED	1
21602	SPOKE, SPM CX-RAY SP 300MM BLK	28
22524	HUB,I9 HDMTN SP CLSPL28H148X12	1
22219	DECAL, H ₂ O 29ER XC 2017	1
57564	D RIM, 29ER XC BL ASYM 28H	1
85514	W ACC KIT, MTN ASYM TL REAR	1
79567	WS, 29 BL259 ASYM BST XD 24/28	
79568	W, 29 BL259 ASYM BST FRNT 24H	1
79570	W, 29 BL259 ASYM BST XD 28H	1
20311	NIPPLE,EXT BLACK ALLOY SQ HEAD	28
20920	RIM TAPE,TL 28MM 5.5M INSTALED	1
21602	SPOKE, SPM CX-RAY SP 300MM BLK	28
22525	HUB,I9 HDMTN SP CLXD28H148X12	1
22219	DECAL, H ₂ O 29ER XC 2017	1
57564	D RIM, 29ER XC BL ASYM 28H	1
85514	W ACC KIT, MTN ASYM TL REAR	1

FREEHUB OPTIONS

22530	FREEHUB, I9 HD SPL 10-SP MTN 6-PAWL
22531	FREEHUB, I9HD XD 11SP MTN 6PAWL
22532	FREEHUB, I9 HD MS 12-SPD MTN 6-PAWL
22538	END CAP, I9 HDMTN FRNT 15MM KIT
22539	END CAP, I9 HDMTN FT TRQ 15MM KIT
22540	END CAP, I9 HD RR 142/148/12 KIT
22541	END CAP, I9 HD RR MS 142/148/12 KIT
22537	AXLE, I9HDMTN FRT CL15X110 HUB
22534	AXLE, I9 HDMTN REAR CL 12X148 HUB
22535	AXLE, I9 HDMTN REAR CL 12X157 HUB
20164	BEARING, i9 15307 A5
20165	BEARING, ENDURO 18307 ABEC 5
20168	BEARING, ENDURO 61903 ABEC 5
21852	O-Ring, i9 Rear17mm End Cap CL
21853	O-Ring, i9 Frt 25mm End Cap CL
22548	HUB i9 HYDRA 6 PAWL SPRING KIT



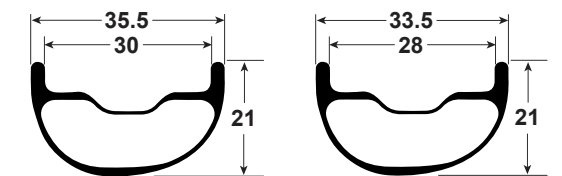
BL 259 XC

BLACKLABEL 309/289 XC PRO

70562	WS, BL309/289 XC TSS 148 MS 24/28H	
70563	W, BL309 XC TSS FRNT 24H	1
60565	D RIM, H2O 309r XC BL 24H	1
21886	RIM TAPE,TL 30MM 5.5M INSTALED	1
22545	HUB, I9 HDMTN SPCL 24H110X15TA	1
21602	SPOKE, SPM CX-RAY SP 300MM BLK	12
21603	SPOKE, SPM CX-RAY SP 301MM BLK	12
20311	NIPPLE,EXT BLACK ALLOY SQ HEAD	24
22355	Decal, H ₂ O BL309 XC	1
20356	VALVE STEM, TL ALLOY 50MM BLK	1
85610	W ACC KIT, BASE KIT	1
3040	9 X 12 X 4MIL ZIP LOCK BAG	1
20333	REYNOLDS NEW PROD WEBSITE CARD	1
70505	W, BL289 XC TSS 157 MS 28H	1
60566	D RIM, H2O 289r XC BL 28H	1
21886	RIM TAPE,TL 30MM 5.5M INSTALED	1
22526	HUB,I9 HDMTN SP CLMS28H148X12	1
21747	SPOKE, SPM CX-RAY SP 306MM BLK	28
20311	NIPPLE,EXT BLACK ALLOY SQ HEAD	28
22356	Decal, H ₂ O BL289 XC	1
20356	VALVE STEM, TL ALLOY 50MM BLK	1
85610	W ACC KIT, BASE KIT	1
3040	9 X 12 X 4MIL ZIP LOCK BAG	1
20333	REYNOLDS NEW PROD WEBSITE CARD	1

FREEHUB OPTIONS

22530	FREEHUB, I9HD SPL 10SP MTN6PAWL
22531	FREEHUB, I9HD XD 11SP MTN 6PAWL
22532	FREEHUB, I9HD MS 12SPD MTN6PAWL
22538	END CAP, I9 HDMTN FRNT 15MMKIT
22539	END CAP, I9HDMTNFT TRQ 15MMKIT
22540	END CAP, I9HD RR 12X142/148KIT
22541	END CAP, I9HD RR MS 12x142/148
22542	END CAP, I9 HD RR ISO ALL KIT
22534	AXLE, I9 HDMTN REAR CL 12X148 HUB
22537	AXLE, I9HDMTN FRT CL15X110 HUB
20164	BEARING, i9 15307 A5
20165	BEARING, ENDURO 18307 ABEC 5
20166	BEARING, ENDURO 31803 ABEC 5
20167	BEARING, ENDURO 61803 ABEC 5
20168	BEARING, ENDURO 61903 ABEC 5



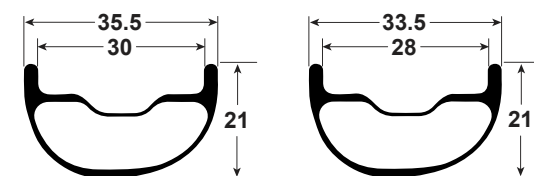
BL 309/289 XC

BLACKLABEL 309/289 XC EXPERT

70626	WS, BL309/289r XC LTD TSS 148 MS 24/28H	
70628	W, BL309 XC TSS FRNT 24H	1
60565	D RIM, H2O 309r XC BL 24H	1
21886	RIM TAPE, TL 30MM 5.5M INSTALED	1
16-38203-C301	Super Bubba Front 24h CL 110x15 Turq	1
21602	SPOKE, SPM CX-RAY SP 300MM BLK	12
21603	SPOKE, SPM CX-RAY SP 301MM BLK	12
20311	NIPPLE, EXT BLACK ALLOY SQ HEAD	24
22357	Decal, H2O BL309r XC	1
20360	VALVE STEM, TL ALLOY 50MM TRQ	1
85610	W ACC KIT, BASE KIT	1
3040	9 X 12 X 4MIL ZIP LOCK BAG	1
20333	REYNOLDS NEW PROD WEBSITE CARD	1
70629	W, BL289 XC TSS 148 MS 28H	1
60566	D RIM, H2O 289r XC BL 28H	1
21886	RIM TAPE, TL 30MM 5.5M INSTALED	1
16-38217-C303	Super Bubba X Rear 28h CL 148x12 MS Turq	1
21747	SPOKE, SPM CX-RAY SP 306MM BLK	14
21747	SPOKE, SPM CX-RAY SP 306MM BLK	14
20311	NIPPLE, EXT BLACK ALLOY SQ HEAD	28
22358	Decal, H2O BL289r XC	1
281-38183-K002	Bubba X FH body Kit - SRAM XD Alloy	1
20360	VALVE STEM, TL ALLOY 50MM TRQ	1
85610	W ACC KIT, BASE KIT	1
3040	9 X 12 X 4MIL ZIP LOCK BAG	1
20333	REYNOLDS NEW PROD WEBSITE CARD	1

FREEHUB OPTIONS

281-38183-K001	Bubba X FH Body Kit - Shimano HG Alloy
281-38183-K002	Bubba X FH body Kit - SRAM XD Alloy
281-38183-K003	Bubba X FH Body Kit - Shimano MS Alloy
281-37249-K008	Bubba X CL 12mm Rear End Cap Pair HG
281-37249-K009	Bubba X CL 12mm Rear End Cap Pair XD
281-37249-K010	Bubba X CL 12mm Rear End Cap Pair MS
281-37250-K002	Bubba X Ratchet ring kit - Qty 1
281-37251-K001	Bubba/Bubba X Pawl Kit
281-37255-K001	Bubba/Bubba X Locking ring kit
281-37253-K006	Bubba X CL 148 R hub sheel space tube kit
281-37256-K001	Bubba/Bubba X 148x12 Axle Kit - Alloy
281-37256-K002	Bubba/Bubba X 148x12 Axle Kit - Stee
281-37254-K001	Bubba/Bubba X 6902 Bearing Kit -qty 2
281-37254-K002	Bubba/Bubba X MS FH Bearing Kit (For Microspline FHB only)



BL 309/289 XC

BLACKLABEL 327 TRAIL PRO 148 MS

447-39245-1300	WS, BL327 TRAIL PRO TSS 148 MS 28/28H	
447-39245-2000	W, BL327 TRAIL PRO TSS 110 FRNT 28H	1
437-38944-6280	D RIM, H2O BL 327 Trail 28H	1
427-39250-0002	RIM TAPE, TL 34MM 5.5M INSTALED	1
22544	HUB, I9 HD MTN SP CL 110/15 TA 28H	1
21743	SPOKE, SPM CX-RAY SP 289MM BLK	28
20311	NIPPLE, EXT BLACK ALLOY SQ HEAD	28
441-39343-A040	ACC KIT, BASE +40 ALLOY	1
426-39345-A040	VALVE STEM 40MM ALLOY	1
447-39245-2300	W, BL327 TRAIL PRO TSS 148 MS 28H	1
437-38944-6280	D RIM, H2O BL 327 Trail 28H	1
427-39250-0002	RIM TAPE, TL 34MM 5.5M INSTALED	1
22526	HUB, I9 HD MTN SP CL MS 148/12 28H	1
21743	SPOKE, SPM CX-RAY SP 289MM BLK	28
20311	NIPPLE, EXT BLACK ALLOY SQ HEAD	28
20311	NIPPLE, EXT BLACK ALLOY SQ HEAD	24
441-39343-A040	ACC KIT, BASE +40 ALLOY	1
426-39345-A040	VALVE STEM 40MM ALLOY	1

BLACKLABEL 327 TRAIL PRO 157 MS

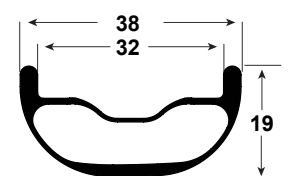
447-39245-1301	WS, BL327 TRAIL PRO TSS 157 MS 28/28H	
447-39245-2000	W, BL327 TRAIL PRO TSS 110 FRNT 28H	1
437-38944-6280	D RIM, H2O BL 327 Trail 28H	1
427-39250-0002	RIM TAPE, TL 34MM 5.5M INSTALED	1
22544	HUB, I9 HD MTN SP CL 110/15 TA 28H	1
21743	SPOKE, SPM CX-RAY SP 289MM BLK	28
20311	NIPPLE, EXT BLACK ALLOY SQ HEAD	28
441-39343-A040	ACC KIT, BASE +40 ALLOY	1
426-39345-A040	VALVE STEM 40MM ALLOY	1
447-39245-2301	W, BL327 TRAIL PRO TSS 157 MS 28H	1
437-38944-6280	D RIM, H2O BL 327 Trail 28H	1
427-39250-0002	RIM TAPE, TL 34MM 5.5M INSTALED	1
22526	HUB, I9 HD MTN SP CL MS 148/12 28H	1
21743	SPOKE, SPM CX-RAY SP 289MM BLK	28
20311	NIPPLE, EXT BLACK ALLOY SQ HEAD	28
20311	NIPPLE, EXT BLACK ALLOY SQ HEAD	24
441-39343-A040	ACC KIT, BASE +40 ALLOY	1
426-39345-A040	VALVE STEM 40MM ALLOY	1

FREEHUB OPTIONS

22530	FREEHUB, I9 HD SPL 10-SP MTN 6-PAWL
22531	FREEHUB, I9 HD XD 11-SP MTN 6-PAWL
22532	FREEHUB, I9 HD MS 12-SPD MTN 6-PAWL

END CAP OPTIONS

22538	END CAP, I9 HDMTN FRNT 15MM KIT
22541	END CAP, I9 HD RR MS 142/148/12 KIT
22540	END CAP, I9 HD RR 142/148/12 KIT



BL 327 TRAIL / BL 329 TRAIL

BLACKLABEL 327 TRAIL PRO 148 XD

447-39245-1500	WS, BL327 TRAIL PRO TSS 148 XD 28/28H	
447-39245-2000	W, BL327 TRAIL PRO TSS 110 FRNT 28H	1
437-38944-6280	D RIM, H2O BL 327 Trail 28H	1
427-39250-0002	RIM TAPE, TL 34MM 5.5M INSTALED	1
22544	HUB, I9 HD MTN SP CL 110/15 TA 28H	1
21743	SPOKE, SPM CX-RAY SP 289MM BLK	28
20311	NIPPLE, EXT BLACK ALLOY SQ HEAD	28
441-39343-A040	ACC KIT, BASE +40 ALLOY	1
426-39345-A040	VALVE STEM 40MM ALLOY	1
447-39245-2500	W, BL327 TRAILPRO TSS 148 XD 28H	1
437-38944-6280	D RIM, H2O BL 327 Trail 28H	1
427-39250-0002	RIM TAPE, TL 34MM 5.5M INSTALED	1
22526	HUB, I9 HD MTN SP CL MS 148/12 28H	1
21743	SPOKE, SPM CX-RAY SP 289MM BLK	28
20311	NIPPLE, EXT BLACK ALLOY SQ HEAD	28
20311	NIPPLE, EXT BLACK ALLOY SQ HEAD	24
441-39343-A040	ACC KIT, BASE +40 ALLOY	1
426-39345-A040	VALVE STEM 40MM ALLOY	1

FREEHUB OPTIONS

22530	FREEHUB, I9 HD SPL 10-SP MTN 6-PAWL
22531	FREEHUB, I9 HD XD 11-SP MTN 6-PAWL
22532	FREEHUB, I9 HD MS 12-SPD MTN 6-PAWL

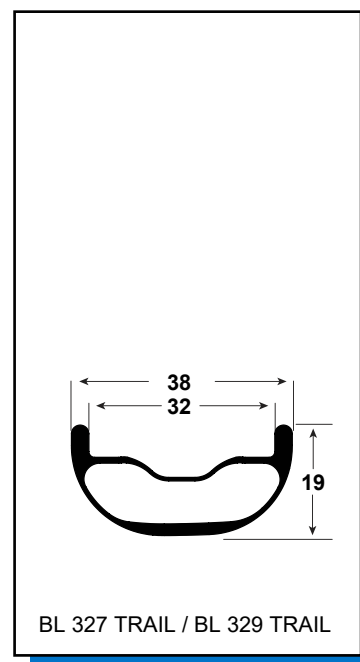
END CAP OPTIONS

22538	END CAP, I9 HDMTN FRNT 15MM KIT
22541	END CAP, I9 HD RR MS 142/148/12 KIT
22540	END CAP, I9 HD RR 142/148/12 KIT



BLACKLABEL 327 TRAIL PRO 157 XD

447-39245-1501	WS, BL327 TRAIL PRO TSS 157 XD 28/28H	
447-39245-2000	W, BL327 TRAIL PRO TSS 110 FRNT 28H	1
437-38944-6280	D RIM, H2O BL 327 Trail 28H	1
427-39250-0002	RIM TAPE, TL 34MM 5.5M INSTALED	1
22544	HUB, I9 HD MTN SP CL 110/15 TA 28H	1
21743	SPOKE, SPM CX-RAY SP 289MM BLK	28
20311	NIPPLE, EXT BLACK ALLOY SQ HEAD	28
441-39343-A040	ACC KIT, BASE +40 ALLOY	1
426-39345-A040	VALVE STEM 40MM ALLOY	1
447-39245-2501	W, BL327 TRAIL PRO TSS 157 XD 28H	1
437-38944-6280	D RIM, H2O BL 327 Trail 28H	1
427-39250-0002	RIM TAPE, TL 34MM 5.5M INSTALED	1
22526	HUB, I9 HD MTN SP CL MS 148/12 28H	1
21743	SPOKE, SPM CX-RAY SP 289MM BLK	28
20311	NIPPLE, EXT BLACK ALLOY SQ HEAD	28
20311	NIPPLE, EXT BLACK ALLOY SQ HEAD	24
441-39343-A040	ACC KIT, BASE +40 ALLOY	1
426-39345-A040	VALVE STEM 40MM ALLOY	1



BLACKLABEL 329 TRAIL PRO 148 MS

447-39246-1300	WS, BL329 TRAIL PRO TSS 148 MS 28/28H	
447-39246-2000	W, BL329 TRAIL PRO TSS 110 FRNT 28H	1
437-38943-6280	D RIM, H2O BL 329 Trail 28h	1
427-39250-0002	RIM TAPE, TL 34MM 5.5M INSTALED	1
22544	HUB, I9 HDMTN SP CL 110/15 TA 28H	1
421-39551-0307	SPOKE, SPM CX-RAY SP 307MM BLK	28
20311	NIPPLE, EXT BLACK ALLOY SQ HEAD	28
441-39343-A040	ACC KIT, BASE +40 ALLOY	1
426-39345-A040	VALVE STEM 40MM ALLOY	1
447-39246-2300	W, BL 329 TRAILPRO TSS 148 MS 28H	1
437-38943-6280	D RIM, H2O BL 329 Trail 28h	1
427-39250-0002	RIM TAPE, TL 34MM 5.5M INSTALED	1
22526	HUB, I9 HDMTN SP CL MS 148/12 28H	1
421-39551-0307	SPOKE, SPM CX-RAY SP 307MM BLK	28
20311	NIPPLE, EXT BLACK ALLOY SQ HEAD	28
441-39343-A040	ACC KIT, BASE +40 ALLOY	1
426-39345-A040	VALVE STEM 40MM ALLOY	1

FREEHUB OPTIONS

22530	FREEHUB, I9 HD SPL 10-SP MTN 6-PAWL
22531	FREEHUB, I9 HD XD 11-SP MTN 6-PAWL
22532	FREEHUB, I9 HD MS 12-SPD MTN 6-PAWL

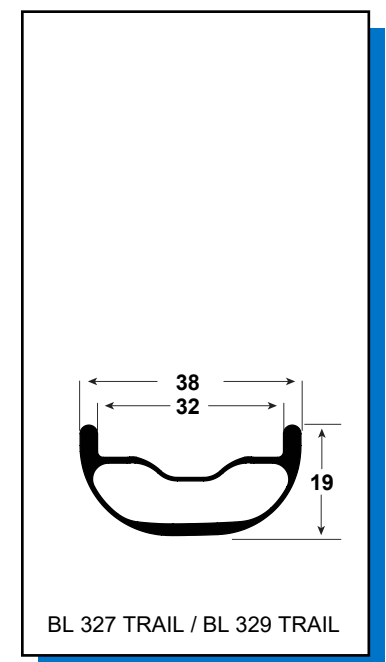
END CAP OPTIONS

22538	END CAP, I9 HDMTN FRNT 15MM KIT
22541	END CAP, I9 HD RR MS 142/148/12 KIT
22540	END CAP, I9 HD RR 142/148/12 KIT



BLACKLABEL 329 TRAIL PRO 157 MS

447-39246-1301	WS, BL329 TRAIL PRO TSS 157 MS 28/28H	
447-39246-2000	W, BL329 TRAIL PRO TSS 110 FRNT 28H	1
437-38943-6280	D RIM, H2O BL 329 Trail 28h	1
427-39250-0002	RIM TAPE, TL 34MM 5.5M INSTALED	1
22544	HUB, I9 HDMTN SP CL 110/15 TA 28H	1
421-39551-0307	SPOKE, SPM CX-RAY SP 307MM BLK	28
20311	NIPPLE, EXT BLACK ALLOY SQ HEAD	28
441-39343-A040	ACC KIT, BASE +40 ALLOY	1
426-39345-A040	VALVE STEM 40MM ALLOY	1
447-39246-2301	W, BL329 TRAIL PRO TSS 157 MS 28H	1
437-38943-6280	D RIM, H2O BL 329 Trail 28h	1
427-39250-0002	RIM TAPE, TL 34MM 5.5M INSTALED	1
22526	HUB, I9 HDMTN SP CL MS 148/12 28H	1
421-39551-0307	SPOKE, SPM CX-RAY SP 307MM BLK	28
20311	NIPPLE, EXT BLACK ALLOY SQ HEAD	28
441-39343-A040	ACC KIT, BASE +40 ALLOY	1
426-39345-A040	VALVE STEM 40MM ALLOY	1



BLACKLABEL 329 TRAIL PRO 148 XD

447-39246-1500	WS, BL329 TRAIL PRO TSS 148 XD 28/28H	
447-39246-2000	W, BL329 TRAIL PRO TSS 110 FRNT 28H	1
437-38943-6280	D RIM, H2O BL 329 Trail 28h	1
427-39250-0002	RIM TAPE, TL 34MM 5.5M INSTALED	1
22544	HUB, I9 HDMTN SP CL 110/15 TA 28H	1
421-39551-0307	SPOKE, SPM CX-RAY SP 307MM BLK	28
20311	NIPPLE, EXT BLACK ALLOY SQ HEAD	28
441-39343-A040	ACC KIT, BASE +40 ALLOY	1
426-39345-A040	VALVE STEM 40MM ALLOY	1
447-39246-2500	W, BL329 TRAIL PRO TSS 148 XD 28H	1
437-38943-6280	D RIM, H2O BL 329 Trail 28h	1
427-39250-0002	RIM TAPE, TL 34MM 5.5M INSTALED	1
22526	HUB, I9 HDMTN SP CL MS 148/12 28H	1
421-39551-0307	SPOKE, SPM CX-RAY SP 307MM BLK	28
20311	NIPPLE, EXT BLACK ALLOY SQ HEAD	28
441-39343-A040	ACC KIT, BASE +40 ALLOY	1
426-39345-A040	VALVE STEM 40MM ALLOY	1

FREEHUB OPTIONS

22530	FREEHUB, I9 HD SPL 10-SP MTN 6-PAWL
22531	FREEHUB, I9 HD XD 11-SP MTN 6-PAWL
22532	FREEHUB, I9 HD MS 12-SPD MTN 6-PAWL

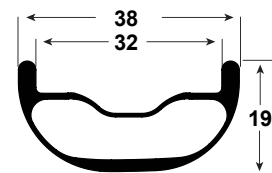
END CAP OPTIONS

22538	END CAP, I9 HDMTN FRNT 15MM KIT
22541	END CAP, I9 HD RR MS 142/148/12 KIT
22540	END CAP, I9 HD RR 142/148/12 KIT



BLACKLABEL 329 TRAIL PRO 157 XD

447-39246-1501	WS, BL329 TRAIL PRO TSS 157 XD 28/28H	
447-39246-2000	W, BL329 TRAIL PRO TSS 110 FRNT 28H	1
437-38943-6280	D RIM, H2O BL 329 Trail 28h	1
427-39250-0002	RIM TAPE, TL 34MM 5.5M INSTALED	1
22544	HUB, I9 HDMTN SP CL 110/15 TA 28H	1
421-39551-0307	SPOKE, SPM CX-RAY SP 307MM BLK	28
20311	NIPPLE, EXT BLACK ALLOY SQ HEAD	28
441-39343-A040	ACC KIT, BASE +40 ALLOY	1
426-39345-A040	VALVE STEM 40MM ALLOY	1
447-39246-2501	W, BL329 TRAIL PRO TSS 157 XD 28H	1
437-38943-6280	D RIM, H2O BL 329 Trail 28h	1
427-39250-0002	RIM TAPE, TL 34MM 5.5M INSTALED	1
22526	HUB, I9 HDMTN SP CL MS 148/12 28H	1
421-39551-0307	SPOKE, SPM CX-RAY SP 307MM BLK	28
20311	NIPPLE, EXT BLACK ALLOY SQ HEAD	28
441-39343-A040	ACC KIT, BASE +40 ALLOY	1
426-39345-A040	VALVE STEM 40MM ALLOY	1



BL 327 TRAIL / BL 329 TRAIL

BLACKLABEL 327 TRAIL EXPERT 148

447-39247-1300	WS, BL327 TRAIL EXPERT TSS 148 MS/XD 28/28H	
447-39247-2000	W, BL327 TRAIL EXPERT TSS 110 FRNT 28H	1
437-38944-6280	D RIM, H2O BL 327 Trail 28H	1
427-39250-0002	RIM TAPE, TL 34MM 5.5M INSTALED	1
16-38216-C001	Super Bubba Front 28h CL 110x15 Blk	1
21768	SPOKE, SPM CX-RAY SP 287MM BLK	28
20311	NIPPLE, EXT BLACK ALLOY SQ HEAD	28
441-39343-A040	ACC KIT, BASE +40 ALLOY	1
426-39345-A040	VALVE STEM 40MM ALLOY	1
447-39247-2300	W, BL327 TRAIL EXPERT TSS MS/XD 148 28H	1
437-38944-6280	D RIM, H2O BL 327 Trail 28H	1
427-39250-0002	RIM TAPE, TL 34MM 5.5M INSTALED	1
16-38217-C003	Super Bubba X Rear 28h CL148x12 MS BLK	1
21579	SPOKE, SPM CX-RAY SP 286MM BLK	28
20311	NIPPLE, EXT BLACK ALLOY SQ HEAD	28
441-39343-A040	ACC KIT, BASE +40 ALLOY	1
426-39345-A040	VALVE STEM 40MM ALLOY	1

FREEHUB OPTIONS

281-38183-K001	Bubba X FH Body Kit - Shimano HG Alloy
281-38183-K002	Bubba X FH body Kit - SRAM XD Alloy
281-38183-K003	Bubba X FH Body Kit - Shimano MS Alloy

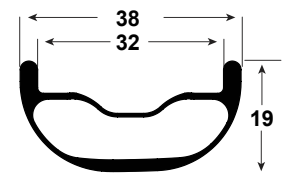
END CAP OPTIONS

281-37249-K007	Bubba CL 110x15 Front End Cap Kit Pair
281-37249-K008	Bubba X CL 12mm Rear End Cap Pair HG
281-37249-K009	Bubba X CL 12mm Rear End Cap Pair XD
281-37249-K010	Bubba X CL 12mm Rear End Cap Pair MS



BLACKLABEL 327 TRAIL EXPERT 157

447-39247-1301	WS, BL327 TRAIL EXPERT TSS MS/XD 157 28/28H	
447-39247-2000	W, BL327 TRAIL EXPERT TSS 110 FRNT 28H	1
437-38944-6280	D RIM, H2O BL 327 Trail 28H	1
427-39250-0002	RIM TAPE, TL 34MM 5.5M INSTALED	1
16-38216-C001	Super Bubba Front 28h CL 110x15 Blk	1
21768	SPOKE, SPM CX-RAY SP 287MM BLK	28
20311	NIPPLE, EXT BLACK ALLOY SQ HEAD	28
441-39343-A040	ACC KIT, BASE +40 ALLOY	1
426-39345-A040	VALVE STEM 40MM ALLOY	1
447-39247-2301	W, BL327 TRAIL EXPERT TSS MS/XD 157 28H	1
437-38944-6280	D RIM, H2O BL 327 Trail 28H	1
427-39250-0002	RIM TAPE, TL 34MM 5.5M INSTALED	1
16-38217-C003	Super Bubba X Rear 28h CL148x12 MS BLK	1
21579	SPOKE, SPM CX-RAY SP 286MM BLK	28
20311	NIPPLE, EXT BLACK ALLOY SQ HEAD	28
441-39343-A040	ACC KIT, BASE +40 ALLOY	1
426-39345-A040	VALVE STEM 40MM ALLOY	1



BL 327 TRAIL / BL 329 TRAIL

BLACKLABEL 329 TRAIL EXPERT 148

447-39248-1300	WS, BL329 TRAIL EXPERT TSS 148 MS/XD 28H	
447-39248-2000	W, BL329 TRAIL EXPERT TSS 110 FRNT 28H	1
437-38943-6280	D RIM, H2O BL 329 Trail 28h	1
427-39250-0002	RIM TAPE, TL 34MM 5.5M INSTALED	1
16-38216-C001	Super Bubba Front 28h CL 110x15 Blk	1
21747	SPOKE, SPM CX-RAY SP 306MM BLK	14
21747	SPOKE, SPM CX-RAY SP 306MM BLK	14
20311	NIPPLE, EXT BLACK ALLOY SQ HEAD	28
441-39343-A040	ACC KIT, BASE +40 ALLOY	1
426-39345-A040	VALVE STEM 40MM ALLOY	1
447-39248-2300	W, BL329 TRAIL EXPERT TSS 148 MS/XD 28H	1
437-38943-6280	D RIM, H2O BL 329 Trail 28h	1
427-39250-0002	RIM TAPE, TL 34MM 5.5M INSTALED	1
16-38217-C003	Super Bubba X Rear 28h CL 148x12 MS BLK	1
21747	SPOKE, SPM CX-RAY SP 306MM BLK	14
21747	SPOKE, SPM CX-RAY SP 306MM BLK	14
20311	NIPPLE, EXT BLACK ALLOY SQ HEAD	28
441-39343-A040	ACC KIT, BASE +40 ALLOY	1
426-39345-A040	VALVE STEM 40MM ALLOY	1

BLACKLABEL 329 TRAIL EXPERT 157

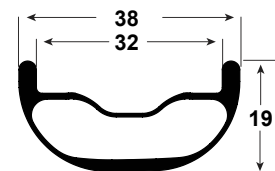
447-39248-1301	WS, BL329 TRAIL EXPERT TSS 157 MS/XD 28/28H	
447-39248-2000	W, BL329 TRAIL EXPERT TSS 110 FRNT 28H	1
437-38943-6280	D RIM, H2O BL 329 Trail 28h	1
427-39250-0002	RIM TAPE, TL 34MM 5.5M INSTALED	1
16-38216-C001	Super Bubba Front 28h CL 110x15 Blk	1
21747	SPOKE, SPM CX-RAY SP 306MM BLK	14
21747	SPOKE, SPM CX-RAY SP 306MM BLK	14
20311	NIPPLE, EXT BLACK ALLOY SQ HEAD	28
441-39343-A040	ACC KIT, BASE +40 ALLOY	1
426-39345-A040	VALVE STEM 40MM ALLOY	1
447-39248-2301	W, BL329 TRAIL EXPERT TSS 157 MS/XD 28H	1
437-38943-6280	D RIM, H2O BL 329 Trail 28h	1
427-39250-0002	RIM TAPE, TL 34MM 5.5M INSTALED	1
16-38217-C003	Super Bubba X Rear 28h CL 148x12 MS BLK	1
21747	SPOKE, SPM CX-RAY SP 306MM BLK	14
21747	SPOKE, SPM CX-RAY SP 306MM BLK	14
20311	NIPPLE, EXT BLACK ALLOY SQ HEAD	28
441-39343-A040	ACC KIT, BASE +40 ALLOY	1
426-39345-A040	VALVE STEM 40MM ALLOY	1

FREEHUB OPTIONS

281-38183-K001	Bubba X FH Body Kit - Shimano HG Alloy
281-38183-K002	Bubba X FH body Kit - SRAM XD Alloy
281-38183-K003	Bubba X FH Body Kit - Shimano MS Alloy

END CAP OPTIONS

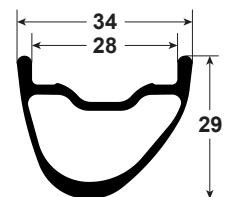
281-37249-K007	Bubba CL 110x15 Front End Cap Kit Pair
281-37249-K008	Bubba X CL 12mm Rear End Cap Pair HG
281-37249-K009	Bubba X CL 12mm Rear End Cap Pair XD
281-37249-K010	Bubba X CL 12mm Rear End Cap Pair MS



BL 327 TRAIL / BL 329 TRAIL

BLACKLABEL 287 ENDURO

79516	WS, 27.5 BL287 ASYM BST SPL28/	
79518	W, 27.5 BL287 ASYM BST FRNT28H	1
20311	NIPPLE, EXT BLACK ALLOY SQ HEAD	28
21593	SPOKE, SPM CX-RAY SP 280MM BLK	14
21595	SPOKE, SPM CX-RAY SP 282MM BLK	14
21886	RIM TAPE, TL 30MM 5.5M INSTALED	1
22544	HUB, I9 HDMTN SPCL 28H110X15TA	1
22212	DECAL, HiO 27.5 ENDURO 2017	1
56513	D RIM, 27.5 ENDURO BL ASYM 28H	1
85513	W ACC KIT, MTN ASYM TL FRONT	1
79519	W, 27.5 BL287 ASYM BST SPL 28H	1
20311	NIPPLE, EXT BLACK ALLOY SQ HEAD	28
21594	SPOKE, SPM CX-RAY SP 281MM BLK	14
21595	SPOKE, SPM CX-RAY SP 282MM BLK	14
21886	RIM TAPE, TL 30MM 5.5M INSTALED	1
22524	HUB, I9 HDMTN SP CLSPL28H148X12	1
22212	DECAL, HiO 27.5 ENDURO 2017	1
56513	D RIM, 27.5 ENDURO BL ASYM 28H	1
85514	W ACC KIT, MTN ASYM TL REAR	1
79517	WS, 27.5 BL287 ASYM BST XD 28/28H	
79518	W, 27.5 BL287 ASYM BST FRNT28H	1
79520	W, 27.5 BL287 ASYM BST XD 28H	1
20311	NIPPLE, EXT BLACK ALLOY SQ HEAD	28
21594	SPOKE, SPM CX-RAY SP 281MM BLK	14
21595	SPOKE, SPM CX-RAY SP 282MM BLK	14
21886	RIM TAPE, TL 30MM 5.5M INSTALED	1
22525	HUB, I9 HDMTN SP CLXD28H148X12	1
66513	D RIM, HiO 27.5 END ASYM 28H	1
22212	DECAL, HiO 27.5 ENDURO 2017	1
85514	W ACC KIT, MTN ASYM TL REAR	1



287 EN / 289 EN

FREEHUB OPTIONS

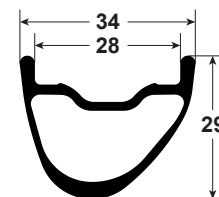
22530	FREEHUB, I9 HD SPL 10-SP MTN 6-PAWL
22531	FREEHUB, I9HD XD 11SP MTN 6PAWL
22532	FREEHUB, I9 HD MS 12-SPD MTN 6-PAWL
22538	END CAP, I9 HDMTN FRNT 15MM KIT
22539	END CAP, I9 HDMTN FT TRQ 15MM KIT
22540	END CAP, I9 HD RR 142/148/12 KIT
22541	END CAP, I9 HD RR MS 142/148/12 KIT
22537	AXLE, I9HDMTN FRT CL15X110 HUB
22534	AXLE, I9 HDMTN REAR CL 12X148 HUB
22535	AXLE, I9 HDMTN REAR CL 12X157 HUB
20164	BEARING, i9 15307 A5
20165	BEARING, ENDURO 18307 ABEC 5
20168	BEARING, ENDURO 61903 ABEC 5
21852	O-Ring, i9 Rear17mm End Cap CL
21853	O-Ring, i9 Frt 25mm End Cap CL
22548	HUB I9 HYDRA 6 PAWL SPRING KIT

BLACKLABEL 289 ENDURO

79596	WS, 29 BL289 ASYM BST SPL 2828	
79598	W, 29 BL289 ASYM BST FRNT 28H	1
20311	NIPPLE,EXT BLACK ALLOY SQ HEAD	28
21602	SPOKE, SPM CX-RAY SP 300MM BLK	14
21604	SPOKE, SPM CX-RAY SP 302MM BLK	14
21886	RIM TAPE,TL 30MM 5.5M INSTALED	1
22544	HUB, I9 HDMTN SPCL 28H110X15TA	1
22215	DECAL, H ₂ O 29ER ENDURO 2017	1
56593	D RIM, 29ER ENDURO BL ASYM 28H	1
85513	W ACC KIT, MTN ASYM TL FRONT	1
79599	W, 29 BL289 ASYM BST SPL 28H	1
20311	NIPPLE,EXT BLACK ALLOY SQ HEAD	28
21601	SPOKE, SPM CX-RAY SP 299MM BLK	14
21603	SPOKE, SPM CX-RAY SP 301MM BLK	14
21886	RIM TAPE,TL 30MM 5.5M INSTALED	1
22524	HUB,I9 HDMTN SP CLSPL28H148X12	1
22215	DECAL, H ₂ O 29ER ENDURO 2017	1
56593	D RIM, 29ER ENDURO BL ASYM 28H	1
85514	W ACC KIT, MTN ASYM TL REAR	1
79597	WS, 29 BL289 ASYM BST XD 28/28H	
79598	W, 29 BL289 ASYM BST FRNT 28H	1
79600	W, 29 BL289 ASYM BST XD 28H	1
20311	NIPPLE,EXT BLACK ALLOY SQ HEAD	28
21601	SPOKE, SPM CX-RAY SP 299MM BLK	14
21603	SPOKE, SPM CX-RAY SP 301MM BLK	14
21886	RIM TAPE,TL 30MM 5.5M INSTALED	1
22525	HUB,I9 HDMTN SP CLXD28H148X12	1
22215	DECAL, H ₂ O 29ER ENDURO 2017	1
56593	D RIM, 29ER ENDURO BL ASYM 28H	1
85514	W ACC KIT, MTN ASYM TL REAR	1

FREEHUB OPTIONS

22530	FREEHUB, I9 HD SPL 10-SP MTN 6-PAWL
22531	FREEHUB, I9HD XD 11SP MTN 6PAWL
22532	FREEHUB, I9 HD MS 12-SPD MTN 6-PAWL
22538	END CAP, I9 HDMTN FRNT 15MM KIT
22539	END CAP, I9 HDMTN FT TRQ 15MM KIT
22540	END CAP, I9 HD RR 142/148/12 KIT
22541	END CAP, I9 HD RR MS 142/148/12 KIT
22537	AXLE, I9HDMTN FRT CL15X110 HUB
22534	AXLE, I9 HDMTN REAR CL 12X148 HUB
22535	AXLE, I9 HDMTN REAR CL 12X157 HUB
20164	BEARING, i9 15307 A5
20165	BEARING, ENDURO 18307 ABEC 5
20168	BEARING, ENDURO 61903 ABEC 5
21852	O-Ring, i9 Rear17mm End Cap CL
21853	O-Ring, i9 Frt 25mm End Cap CL
22548	HUB i9 HYDRA 6 PAWL SPRING KIT



287 EN / 289 EN

BLACKLABEL 287 DH EXPERT

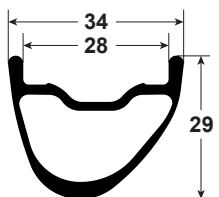
70651	WS, BL287 DH EXPERT LTD SPL 32/32H 157	
70653	W, BL287 DH EXPERT LTD FRNT 32H 110	1
57554	D RIM, 27.5 DOWNHILL ASYM 32H	1
21886	RIM TAPE,TL 30MM 5.5M INSTALED	1
16-37507-C001	Bubba DH Front 32h 110x20 Boost Blk	1
21753	SPOKE, SPM SPRINT 263MM JB BLK	16
21757	SPOKE, SPM SPRINT 267MM JB BLK	16
20315	NIPPLE, BRASS 14MM BLACK EXT	32
22248	DECAL, VINYL BL287r DH LTD	1
85181	W ACC KIT, REY DH/FATBIKE TL	1
20904	VALVE STEM, AM 45MM LONG	1
70654	W, BL287 DH EXPERT LTD SPL 32H 157	1
57554	D RIM, 27.5 DOWNHILL ASYM 32H	1
21886	RIM TAPE,TL 30MM 5.5M INSTALED	1
16-37338-C001	Bubba Rear 32h 157x12 HG Blk	1
21755	SPOKE, SPM SPRINT 265MM JB BLK	16
21756	SPOKE, SPM SPRINT 266MM JB BLK	16
20315	NIPPLE, BRASS 14MM BLACK EXT	32
22248	DECAL, VINYL BL287r DH LTD	1
281-37248-K002	Bubba FH body Kit - SRAM XD Alloy	1
85181	W ACC KIT, REY DH/FATBIKE TL	1
20904	VALVE STEM, AM 45MM LONG	1

FREEHUB OPTIONS

281-38183-K002	Bubba FH Body Kit - Shimano HG Alloy
281-37248-K002	Bubba FH body Kit - SRAM XD Alloy
281-37248-K003	Bubba FH Bod Kit - Shimano MS Alloy

END CAP OPTIONS

281-37249-K006	Bubba DH 110x20 Boost F End Cap Kit - Pair
281-37249-K003	Bubba/Bubba X 148/157x12 R Cap Pair HG
281-37249-K004	Bubba/Bubba X 148/157x12 R Cap Pair XD
281-37249-K005	Bubba/Bubba X 148/157x12 R Cap Pair MS



287 DH / 289 DH

BLACKLABEL 289 DH EXPERT

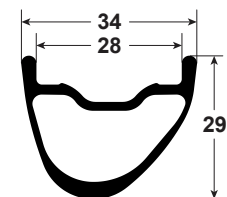
70656	WS, BL289 DH EXPERT LTD SPL 32/32H 157	
70658	W, BL289 DH EXPERT LTD FRNT 32H 110	1
57604	D RIM, 29ER DOWNHILL ASYM 32H	1
21886	RIM TAPE, TL 30MM 5.5M INSTALED	1
16-37507-C001	Bubba DH Front 32h 110x20 Boost Blk	1
21701	SPOKE, SPM SPRINT 282MM JB BLK	16
21705	SPOKE, SPM SPRINT 286MM JB BLK	16
20315	NIPPLE, BRASS 14MM BLACK EXT	32
22249	DECAL, VINYL BL289r DH LTD	1
85181	W ACC KIT, REY DH/FATBIKE TL	1
20904	VALVE STEM, AM 45MM LONG	1
70659	W, BL289 DH EXPERT LTD SPL 157	1
57604	D RIM, 29ER DOWNHILL ASYM 32H	1
21886	RIM TAPE, TL 30MM 5.5M INSTALED	1
16-37338-C001	Bubba Rear 32h 157x12 HG Blk	1
21702	SPOKE, SPM SPRINT 283MM JB BLK	16
21703	SPOKE, SPM SPRINT 284MM JB BLK	16
20315	NIPPLE, BRASS 14MM BLACK EXT	32
22249	DECAL, VINYL BL289r DH LTD	1
281-37248-K002	Bubba FH body Kit - SRAM XD Alloy	1
85181	W ACC KIT, REY DH/FATBIKE TL	1
20904	VALVE STEM, AM 45MM LONG	1

FREEHUB OPTIONS

281-38183-K002	Bubba FH Body Kit - Shimano HG Alloy
281-37248-K002	Bubba FH body Kit - SRAM XD Alloy
281-37248-K003	Bubba FH Bod Kit - Shimano MS Alloy

END CAP OPTIONS

281-37249-K006	Bubba DH 110x20 Boost F End Cap Kit - Pair
281-37249-K003	Bubba/Bubba X 148/157x12 R Cap Pair HG
281-37249-K004	Bubba/Bubba X 148/157x12 R Cap Pair XD
281-37249-K005	Bubba/Bubba X 148/157x12 R Cap Pair MS



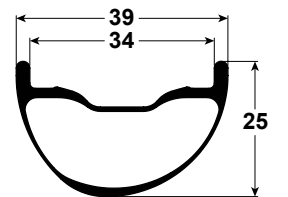
287 DH / 289 DH

BLACKLABEL 347

78531	WS, 27.5 BL 347 BST SHIM 28/28	
78533	W, 27.5 BL 347 15/110 FRNT 28H	1
68533	D RIM, HiO 27.5 BL 347 TL 28H	1
20918	RIM TAPE, TL 22MM 5.5M INSTALED	1
21827	HUB, MTN i9 SP CL 28H 110x15TA	1
21594	SPOKE, SPM CX-RAY SP 281MM BLK	14
21596	SPOKE, SPM CX-RAY SP 283MM BLK	14
20311	NIPPLE, EXT BLACK ALLOY SQ HEAD	28
20007	DECAL, NOT INTENDED FOR RB USE	1
20008	DECAL, REGISTER WHEELS	1
20332	WHEEL RAP HANG TAG	1
20120	BOX, TW DBLE WHL RNLD WIDE29er	0.5
78534	W, 27.5 BL 347 12/148 SHIM 28H	1
68533	D RIM, HiO 27.5 BL 347 TL 28H	1
20918	RIM TAPE, TL 22MM 5.5M INSTALED	1
21829	HUB, MTN i9 SP CLSHIM28H148x12	1
21596	SPOKE, SPM CX-RAY SP 283MM BLK	28
20311	NIPPLE, EXT BLACK ALLOY SQ HEAD	28
20007	DECAL, NOT INTENDED FOR RB USE	1
20008	DECAL, REGISTER WHEELS	1
20332	WHEEL RAP HANG TAG	1
20120	BOX, TW DBLE WHL RNLD WIDE29er	0.5
85513	W ACC KIT, MTN ASYM TL FRONT	1
3040	9 X 12 X 4MIL ZIP LOCK BAG	1
20333	REYNOLDS NEW PROD WEBSITE CARD	1
20904	VALVE STEM, AM 45MM LONG	1
85514	W ACC KIT, MTN ASYM TL REAR	1
3040	9 X 12 X 4MIL ZIP LOCK BAG	1
20333	REYNOLDS NEW PROD WEBSITE CARD	1
20904	VALVE STEM, AM 45MM LONG	1

FREEHUB OPTIONS

22530	FREEHUB, i9 HD SPL 10-SP MTN 6-PAWL
22531	FREEHUB, i9HD XD 11SP MTN 6PAWL
22532	FREEHUB, i9 HD MS 12-SPD MTN 6-PAWL
22538	END CAP, i9 HDMTN FRNT 15MM KIT
22539	END CAP, i9 HDMTN FT TRQ 15MM KIT
22540	END CAP, i9 HD RR 142/148/12 KIT
22541	END CAP, i9 HD RR MS 142/148/12 KIT
22537	AXLE, i9HDMTN FRT CL15X110 HUB
22534	AXLE, i9 HDMTN REAR CL 12X148 HUB
22535	AXLE, i9 HDMTN REAR CL 12X157 HUB
20164	BEARING, i9 15307 A5
20165	BEARING, ENDURO 18307 ABEC 5
20168	BEARING, ENDURO 61903 ABEC 5
21852	O-Ring, i9 Rear17mm End Cap CL
21853	O-Ring, i9 Frt 25mm End Cap CL
22548	HUB i9 HYDRA 6 PAWL SPRING KIT



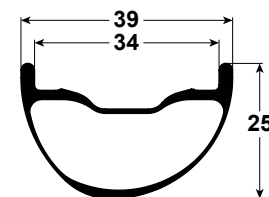
Wide Trail 349 & 347

BLACKLABEL 349

78601	WS, 29 BL 349 BST SHIM 28/28	
78603	W, 29 BL 349 15/110 FRNT 28H	1
68603	D RIM, HiO 29 BL 349 TL 28H	1
20918	RIM TAPE, TL 22MM 5.5M INSTALED	1
21827	HUB, MTN i9 SP CL 28H 110x15TA	1
21603	SPOKE, SPM CX-RAY SP 301MM BLK	14
21748	SPOKE, SPM CX-RAY SP 303MM BLK	14
20311	NIPPLE, EXT BLACK ALLOY SQ HEAD	28
20007	DECAL, NOT INTENDED FOR RB USE	1
20008	DECAL, REGISTER WHEELS	1
20332	WHEEL RAP HANG TAG	1
20120	BOX, TW DBLE WHL RNLD WIDE29er	0.5
78604	W, 29 BL 349 12/148 SHIM 28H	1
68603	D RIM, HiO 29 BL 349 TL 28H	1
20918	RIM TAPE, TL 22MM 5.5M INSTALED	1
21829	HUB, MTN i9 SP CLSHIM28H148x12	1
21604	SPOKE, SPM CX-RAY SP 302MM BLK	28
20311	NIPPLE, EXT BLACK ALLOY SQ HEAD	28
20007	DECAL, NOT INTENDED FOR RB USE	1
20008	DECAL, REGISTER WHEELS	1
20332	WHEEL RAP HANG TAG	1
20120	BOX, TW DBLE WHL RNLD WIDE29er	0.5
85513	W ACC KIT, MTN ASYM TL FRONT	1
3040	9 X 12 X 4MIL ZIP LOCK BAG	1
20333	REYNOLDS NEW PROD WEBSITE CARD	1
85514	W ACC KIT, MTN ASYM TL REAR	1
3040	9 X 12 X 4MIL ZIP LOCK BAG	1
20333	REYNOLDS NEW PROD WEBSITE CARD	1
20904	VALVE STEM, AM 45MM LONG	1

FREEHUB OPTIONS

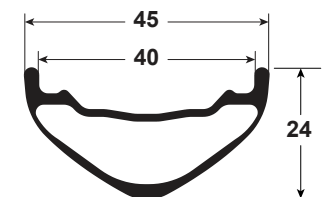
22530	FREEHUB, i9 HD SPL 10-SP MTN 6-PAWL
22531	FREEHUB, i9HD XD 11SP MTN 6PAWL
22532	FREEHUB, i9 HD MS 12-SPD MTN 6-PAWL
22538	END CAP, i9 HDMTN FRNT 15MM KIT
22539	END CAP, i9 HDMTN FT TRQ 15MM KIT
22540	END CAP, i9 HD RR 142/148/12 KIT
22541	END CAP, i9 HD RR MS 142/148/12 KIT
22537	AXLE, i9HDMTN FRT CL15X110 HUB
22534	AXLE, i9 HDMTN REAR CL 12X148 HUB
22535	AXLE, i9 HDMTN REAR CL 12X157 HUB
20164	BEARING, i9 15307 A5
20165	BEARING, ENDURO 18307 ABEC 5
20168	BEARING, ENDURO 61903 ABEC 5
21852	O-Ring, i9 Rear17mm End Cap CL
21853	O-Ring, i9 Frt 25mm End Cap CL
22548	HUB i9 HYDRA 6 PAWL SPRING KIT



Wide Trail 349 & 347

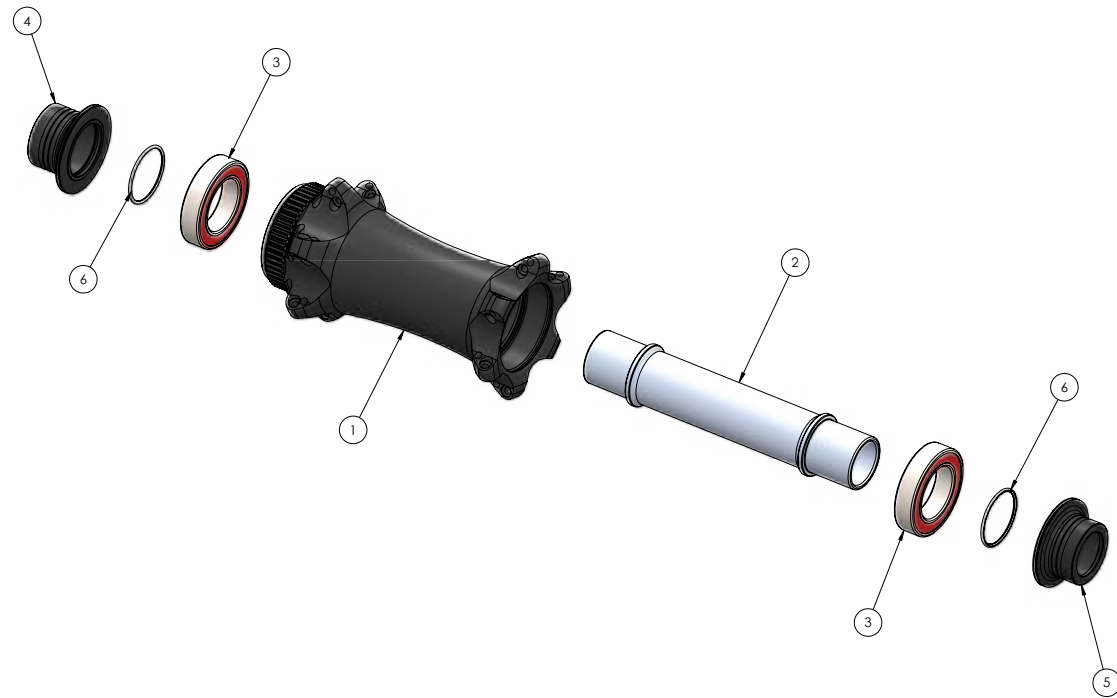
BLACKLABEL 407

79521	WS, 27.5 BL407 BST SPL 28/28H	
79523	W, 27.5 BL407 BST FRNT 28H	1
20311	NIPPLE, EXT BLACK ALLOY SQ HEAD	28
20920	RIM TAPE, TL 28MM 5.5M INSTALED	1
21596	SPOKE, SPM CX-RAY SP 283MM BLK	14
21605	SPOKE, SPM CX-RAY SP 285MM BLK	14
22544	HUB, i9 HDMTN SPCL 28H110X15TA	1
22213	DECAL, HiO 27.5 PLUS 2017	1
56523	D RIM, 27.5 PLUS BL 28H	1
85513	W ACC KIT, MTN ASYM TL FRONT	1
79524	W, 27.5 BL407 BST SPL 28H	1
20311	NIPPLE, EXT BLACK ALLOY SQ HEAD	28
20920	RIM TAPE, TL 28MM 5.5M INSTALED	1
21531	SPOKE, SPM CX-RAY SP 284MM BLK	28
22524	HUB, i9 HDMTN SP CLSPL28H148X12	1
22213	DECAL, HiO 27.5 PLUS 2017	1
56523	D RIM, 27.5 PLUS BL 28H	1
85514	W ACC KIT, MTN ASYM TL REAR	1
79522	WS, 27.5 BL407 BST XD 28/28H	
79523	W, 27.5 BL407 BST FRNT 28H	1
79525	W, 27.5 BL407 BST XD 28H	1
20311	NIPPLE, EXT BLACK ALLOY SQ HEAD	28
20920	RIM TAPE, TL 28MM 5.5M INSTALED	1
21531	SPOKE, SPM CX-RAY SP 284MM BLK	28
22525	HUB, i9 HDMTN SP CLXD28H148X12	1
22213	DECAL, HiO 27.5 PLUS 2017	1
56523	D RIM, 27.5 PLUS BL 28H	1
85514	W ACC KIT, MTN ASYM TL REAR	1



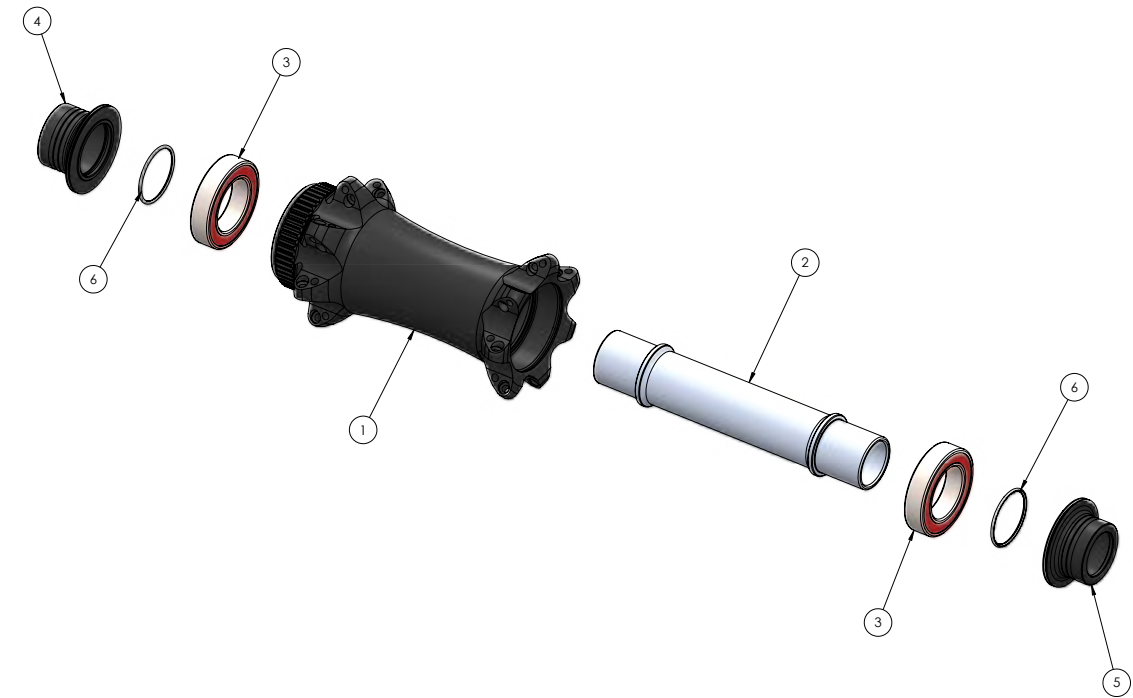
Plus 407

I9 HDMTN SPCL 24H 110X15TA



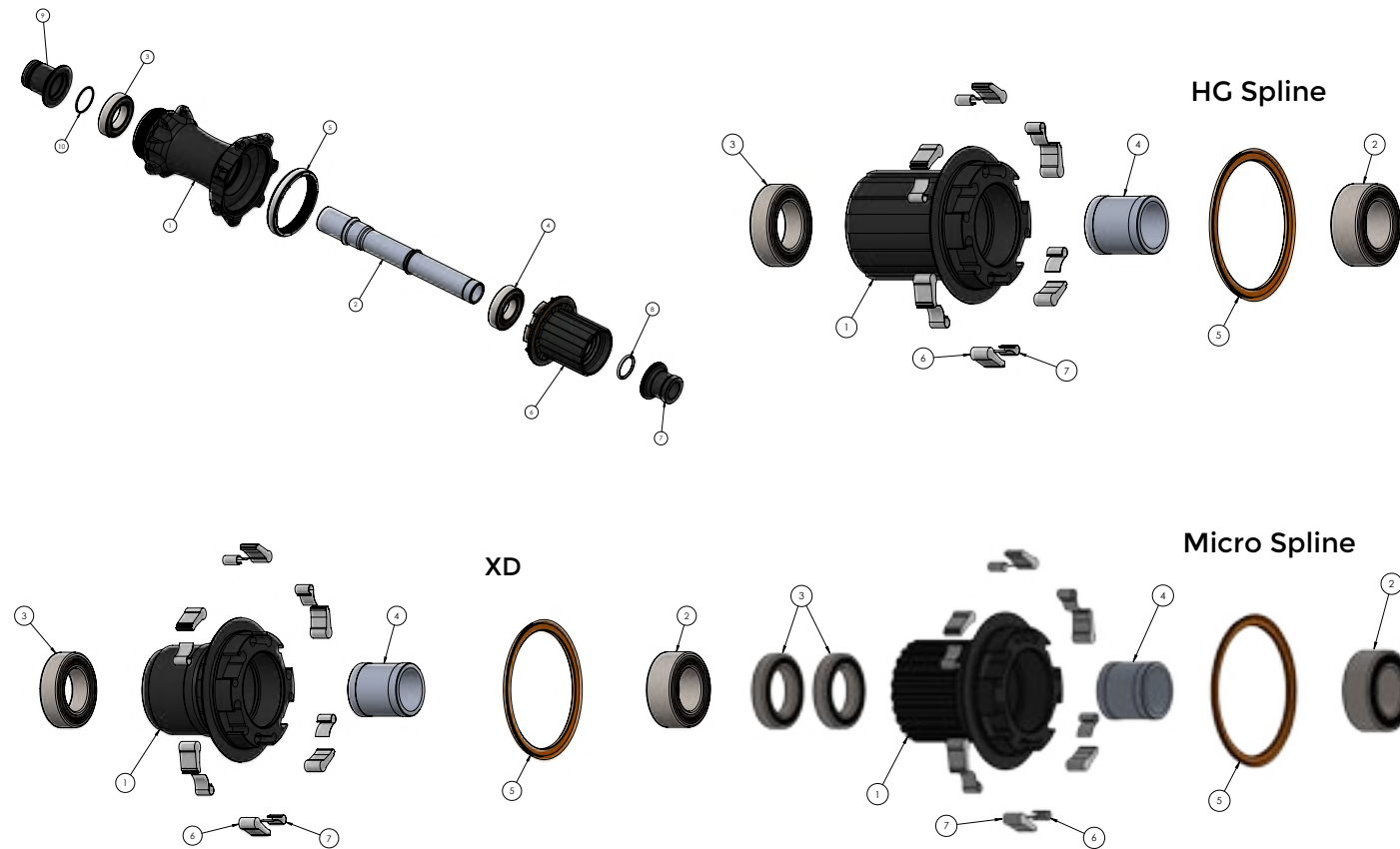
ITEM #	PART #	DESCRIPTION	QTY
1	22545	HUB, I9 HDMTN SPCL 24H110X15TA	1
2	22537	AXLE, I9 HDMTN FRT CL 110/15 HUB	1
3	20165	BEARING, ENDURO 18307 ABEC 5	2
4	22538	END CAP, I9 HDMTN FRNT 15MM KIT	1
5	N/A	See #4	
6	N/A	O-RING 18MM X 1MM	

I9 HD MTN SP CL 28H 110X15 TA



ITEM #	PART #	DESCRIPTION	QTY
1	22544	HUB, I9 HDMTN SPCL 28H110X15TA	1
2	22537	AXLE, I9 HDMTN FRT CL 110/15 HUB	1
3	20165	BEARING, ENDURO 18307 ABEC 5	2
4	22538	END CAP, I9 HDMTN FRNT 15MM KIT	1
5	N/A	See #4	
6	N/A	O-RING 18MM X 1MM	

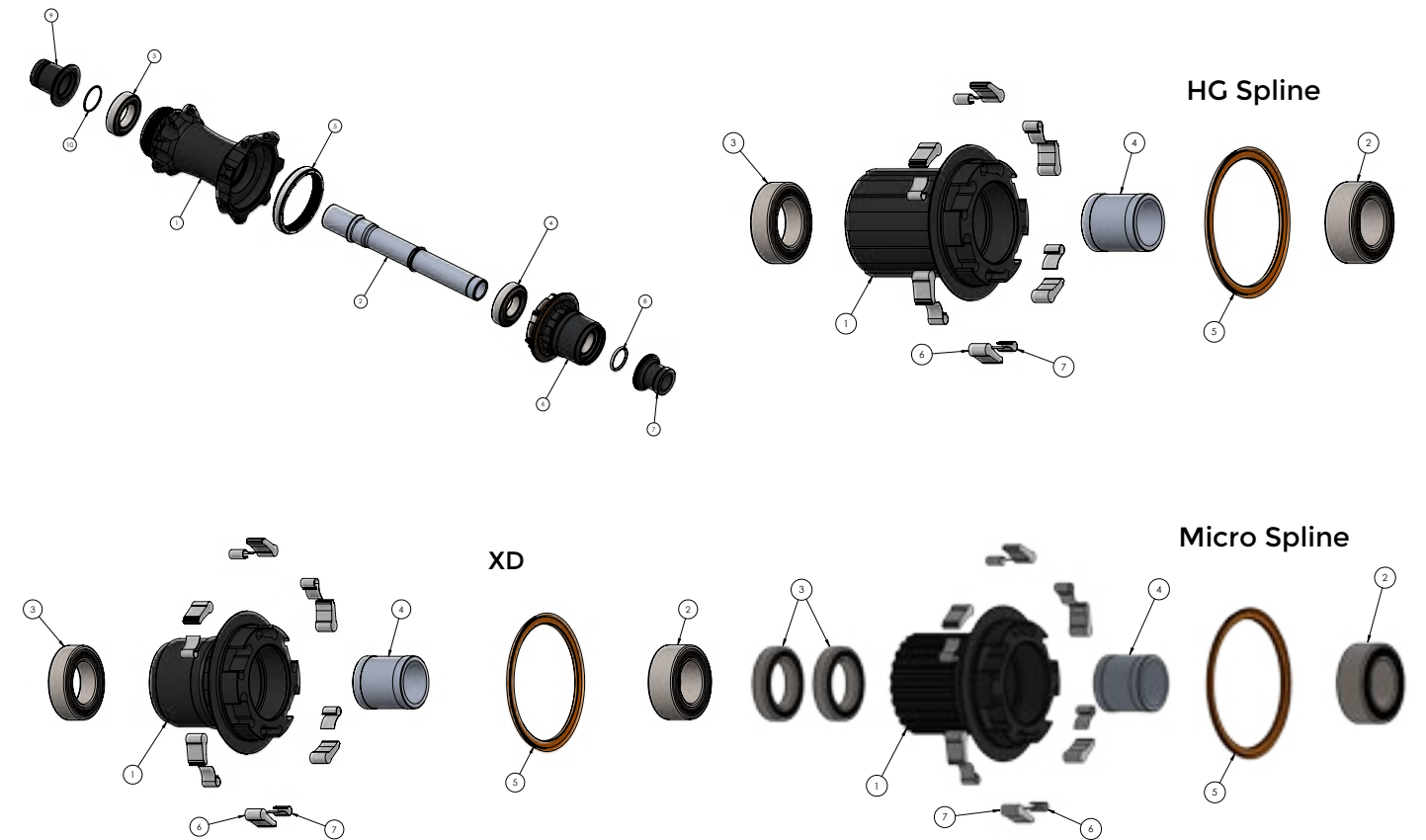
I9 HD MTN SP CL SPL 28H 148X12



ITEM #	PART #	DESCRIPTION	QTY
1	22524	HUB, I9 HDMTN SP CLSPL28H148X12	
2	22534	AXLE, I9 HDMTN REAR CL 148/12 HUB	1
3	20168	BEARING, ENDURO 61903 ABEC 5	1
4	20164	BEARING, I9 15307 A5	1
5	N/A	HYDRA 115T DRIVE RING	
6	22530	FREEHUB, I9HD SPL 10SP MTN-6PAW	1
7	22540	END CAP, I9 HD RR 142/148/12 KIT	1
8	N/A	O-RING 1/16 X 9/16	
9	N/A	SEE #7	
10	21852	O-RING, I9 REAR 17MM END CAP CL	1

ITEM #	PART #	DESCRIPTION	QTY
1	22530	FREEHUB, I9HD SPL 10SP MTN6PAW	1
	22531	FREEHUB, I9HD XD 11SP MTN 6PAW	1
	22532	FREEHUB, I9HD MS 11SP MTN 6PAW	1
2	423-39028-0001	BEARING, ENDURO 152610, I9 HYDRA MS FHB	1
3	20377	BEARING, 15267-2RS 15*26*7 LOGO:REVO CRE	1
4	21793	SPACER, I9 REAR AXLE	
5	N/A	HYDRA/TORCH FREEHUB SEAL	
6	N/A	HYDRA PAWL	
7	22548	HUB, I9 HYDRA MTN 6 PAWL SPRING KIT	1
	22525	HUB, I9 HDMTN SP CLXD28H148X12	

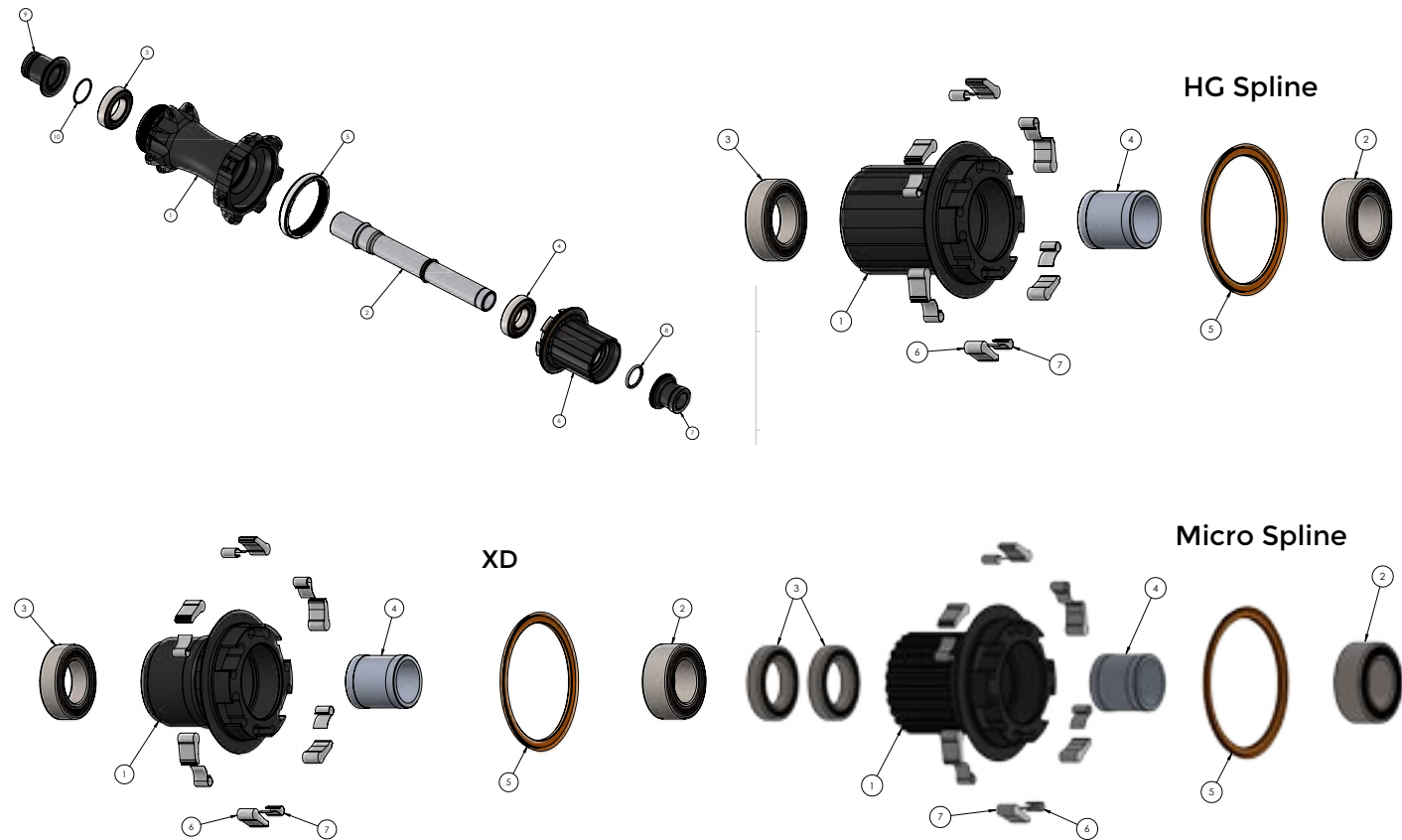
I9 HD MTN SP CL XD 28H 148X12



ITEM #	PART #	DESCRIPTION	QTY
1	22524	HUB, I9 HDMTN SP CLSPL28H148X12	
2	22534	AXLE, I9 HDMTN REAR CL 148/12 HUB	1
3	20168	BEARING, ENDURO 61903 ABEC 5	1
4	20164	BEARING, I9 15307 A5	1
5	N/A	HYDRA 115T DRIVE RING	
6	22530	FREEHUB, I9HD SPL 10SP MTN6PAW	1
7	22541	END CAP, I9 HD RR MS 142/148/12 KIT	1
8	N/A	O-RING 1/16 X 9/16	
9	N/A	SEE #7	
10	21852	O-RING, I9 REAR 17MM END CAP CL	1

ITEM #	PART #	DESCRIPTION	QTY
1	22530	FREEHUB, I9HD SPL 10SP MTN6PAW	1
	22531	FREEHUB, I9HD XD 11SP MTN 6PAW	1
	22532	FREEHUB, I9HD MS 11SP MTN 6PAW	1
2	423-39028-0001	BEARING, ENDURO 152610, I9 HYDRA MS FHB	1
3	20379	BEARING, 6802-2RV 15*24*5 LOGO:REVO CRE	1
4	21793	SPACER, I9 REAR AXLE	
5	N/A	HYDRA/TORCH FREEHUB SEAL	
6	N/A	HYDRA PAWL	
7	22548	HUB, I9 HYDRA MTN 6 PAWL SPRING KIT	1

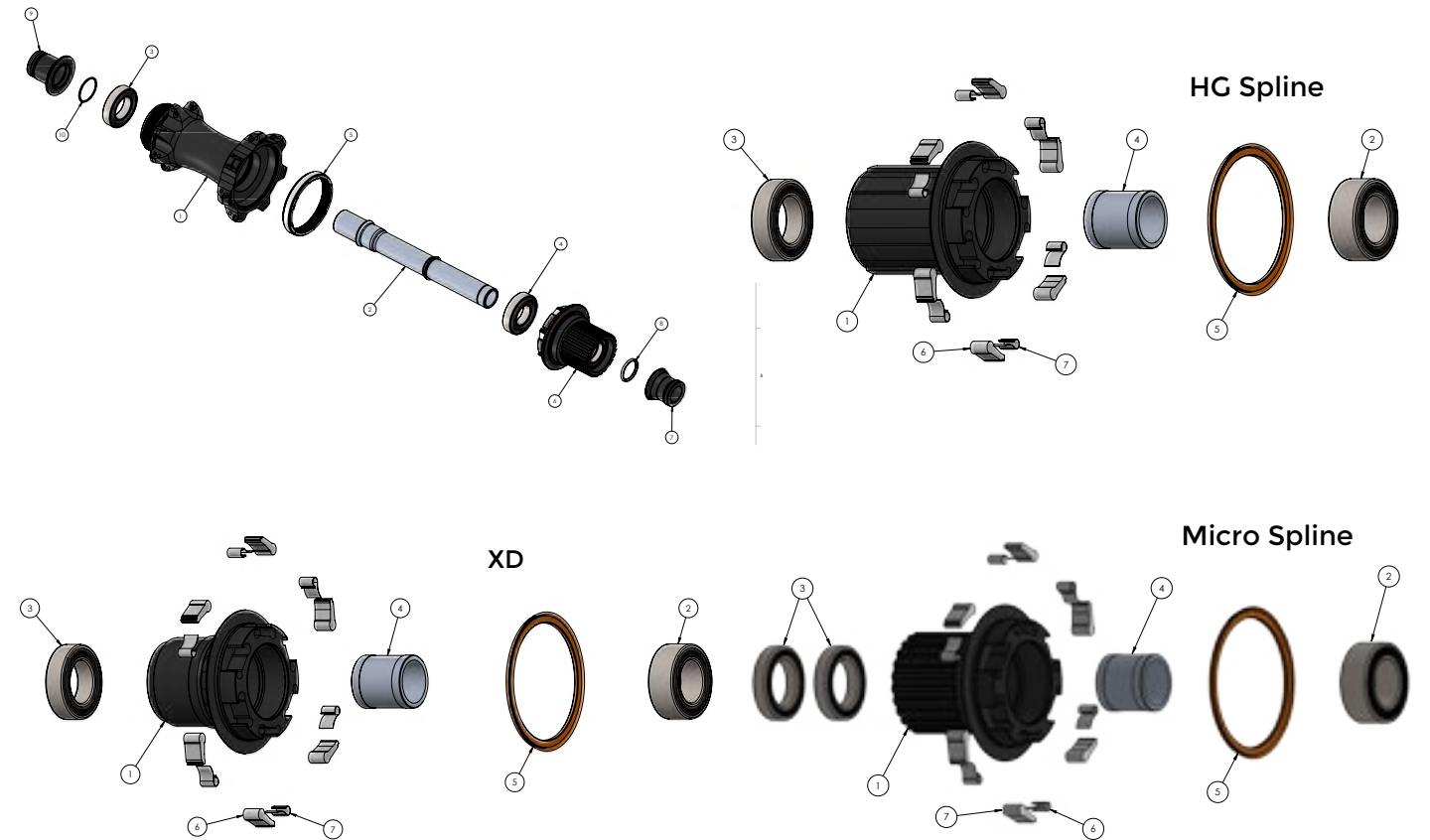
19 HDMTN SP CLSPL 28H 157X12



ITEM #	PART #	DESCRIPTION	QTY
1	22527	HUB, i9 HDMTN SP CLSPL28H157X12	
2	22535	AXLE, i9 HDMTN REAR CL 157/12 HUB	1
3	20168	BEARING, ENDURO 61903 ABEC 5	1
4	20164	BEARING, i9 15307 A5	1
5	N/A	HYDRA 115T DRIVE RING	
6	22530	FREEHUB, i9HD SPL 10SP MTN6PAW	1
7	22541	END CAP, i9 HD RR MS 142/148/12 KIT	1
8	N/A	O-RING 1/16 X 9/16	
9	N/A	SEE #7	
10	21852	O-RING, i9 REAR 17MM END CAP CL	1

ITEM #	PART #	DESCRIPTION	QTY
1	22530	FREEHUB, i9HD SPL 10SP MTN6PAW	1
	22531	FREEHUB, i9HD XD 11SP MTN 6PAW	1
	22532	FREEHUB, i9HD MS 11SP MTN 6PAW	1
2	423-39028-0001	BEARING, ENDURO 152610, i9 HYDRA MS FHB	1
3	20377	BEARING, 15267-2RS 15*26*7 LOGO:REVO CRE	1
4	21793	SPACER, i9 REAR AXLE	
5	N/A	HYDRA/TORCH FREEHUB SEAL	
6	N/A	HYDRA PAWL	
7	22548	HUB, i9 HYDRA MTN 6 PAWL SPRING KIT	1
	22528	HUB, i9 HDMTN SP CLXD28H157X12	

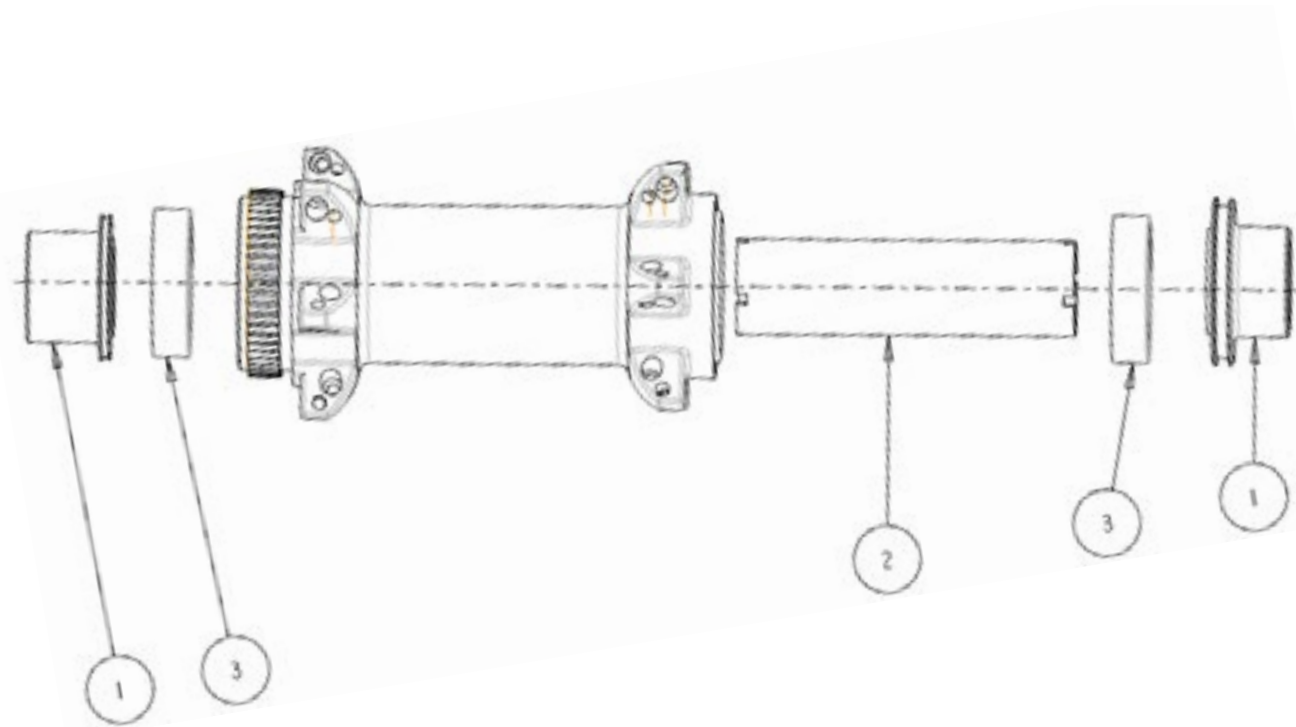
19 HDMTN SP CLMS 28H 157X12



ITEM #	PART #	DESCRIPTION	QTY
1	22529	HUB, i9 HDMTN SP CLMS28H157X12	
2	22535	AXLE, i9 HDMTN REAR CL 157/12 HUB	1
3	20168	BEARING, ENDURO 61903 ABEC 5	1
4	20164	BEARING, i9 15307 A5	1
5	N/A	HYDRA 115T DRIVE RING	
6	22530	FREEHUB, i9HD SPL 10SP MTN6PAW	1
7	22541	END CAP, i9 HD RR MS 142/148/12 KIT	1
8	N/A	O-RING 1/16 X 9/16	
9	N/A	SEE #7	
10	21852	O-RING, i9 REAR 17MM END CAP CL	1

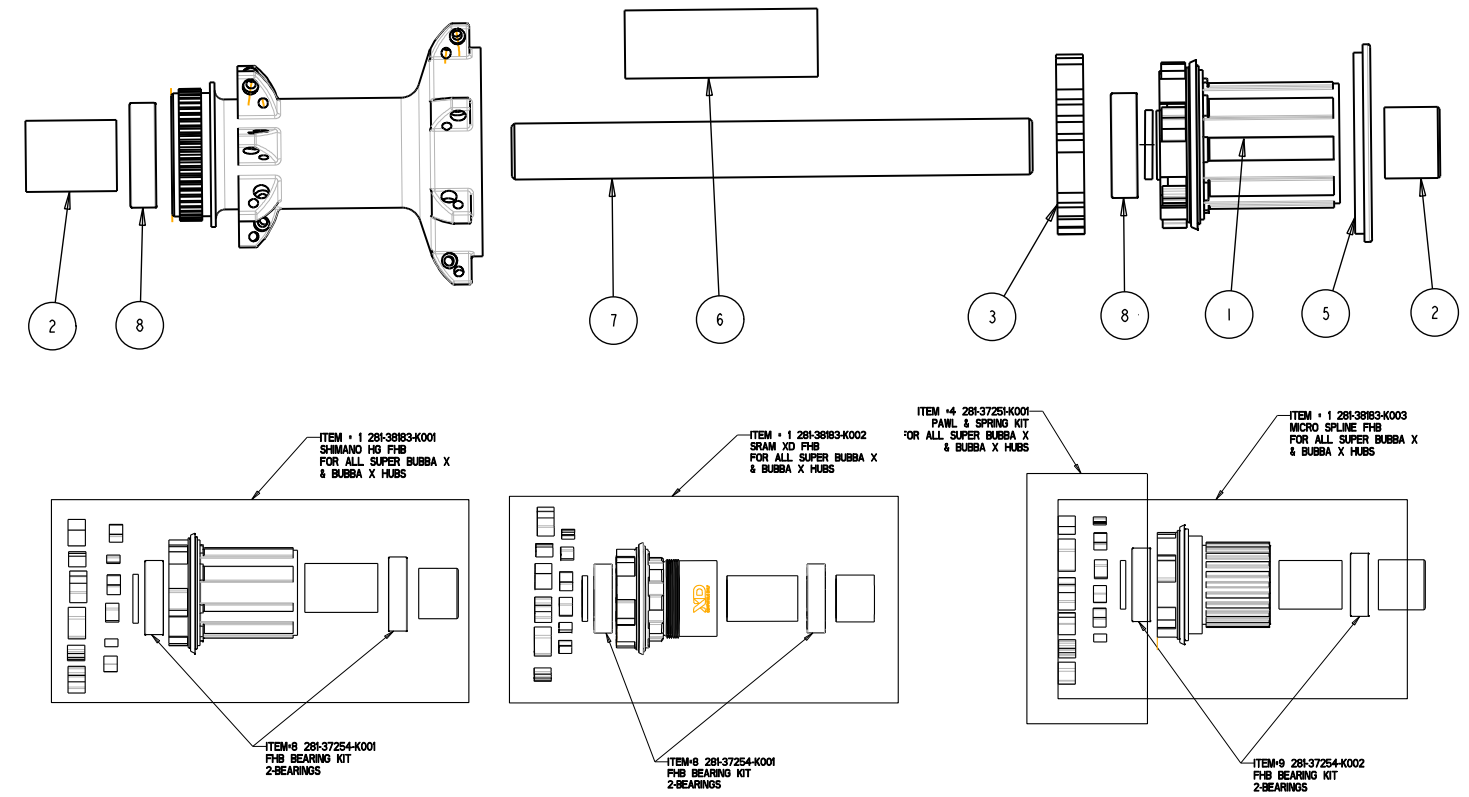
ITEM #	PART #	DESCRIPTION	QTY
1	22530	FREEHUB, i9HD SPL 10SP MTN6PAW	1
	22531	FREEHUB, i9HD XD 11SP MTN 6PAW	1
	22532	FREEHUB, i9HD MS 11SP MTN 6PAW	1
2	423-39028-0001	BEARING, ENDURO 152610, i9 HYDRA MS FHB	1
3	20379	BEARING, 6802-2RV 15*24*5 LOGO:REVO CRE	1
4	21793	SPACER, i9 REAR AXLE	
5	N/A	HYDRA/TORCH FREEHUB SEAL	
6	N/A	HYDRA PAWL	
7	22548	HUB, i9 HYDRA MTN 6 PAWL SPRING KIT	1

SUPER BUBBA CENTERLOCK FRONT



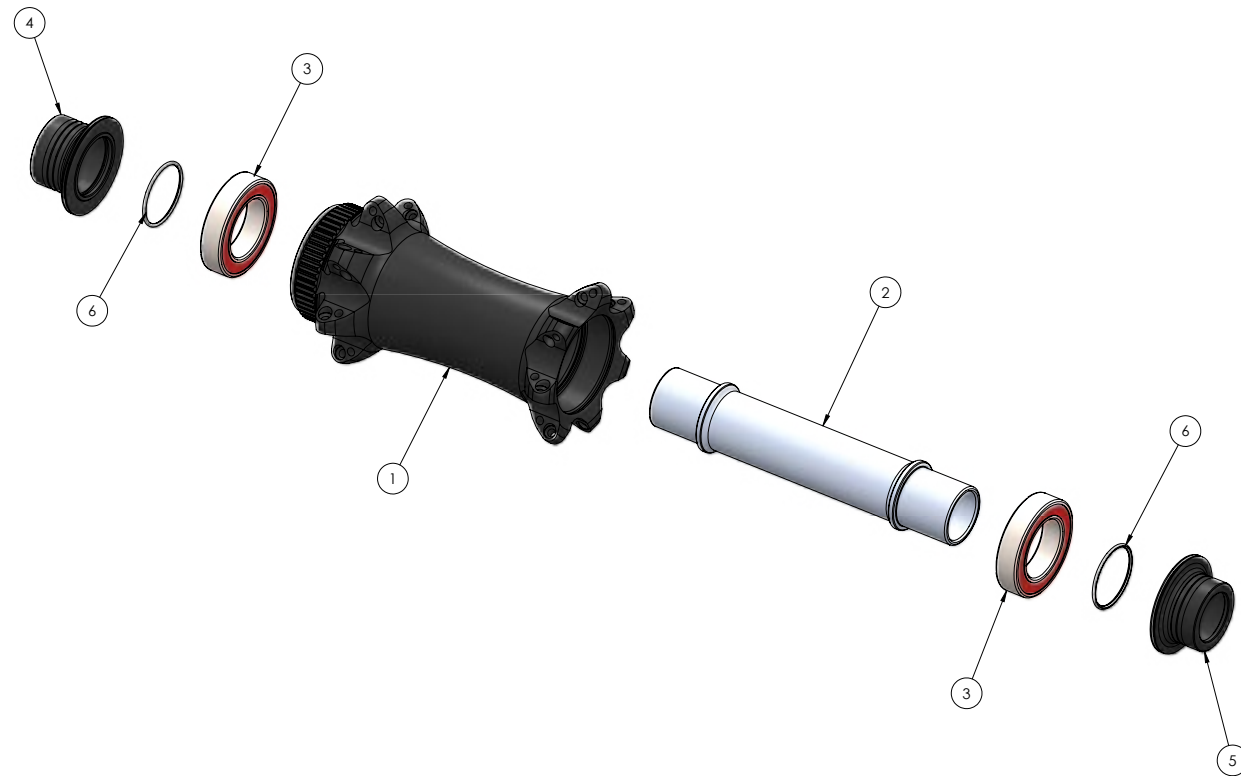
ITEM #	PART #	DESCRIPTION	QTY
1	281-37249-K007	Bubba CL 110x15 Front End Cap Kit Pair	1
2	281-37253-K005	Bubba CL 110x15 F hub shell spacer tube Kit	1
3	281-37254-K001	Bubba/Bubba X 6902 Bearing Kit -qty 2	1

SUPER BUBBA X CENTERLOCK



ITEM #	PART #	DESCRIPTION	QTY
1	281-38183-K001	Bubba X FH Body Kit - Shimano HG Alloy	1
	281-38183-K002	Bubba X FH body Kit - SRAM XD Alloy	1
	281-38183-K003	Bubba X FH Body Kit - Shimano MS Alloy	1
2	281-37249-K008	Bubba X CL 12mm Rear End Cap Pair HG	1
	281-37249-K009	Bubba X CL 12mm Rear End Cap Pair XD	1
	281-37249-K010	Bubba X CL 12mm Rear End Cap Pair MS	1
3	281-37250-K002	Bubba X Ratchet ring kit - Qty 1	1
4	281-37251-K001	Bubba/Bubba X Pawl Kit	1
5	281-37255-K001	Bubba/Bubba X Locking ring kit	1
6	281-37253-K006	Bubba X CL 148 R hub shell space tube kit	1
7	281-37256-K001	Bubba/Bubba X 148x12 Axle Kit - Alloy	1
	281-37256-K002	Bubba/Bubba X 148x12 Axle Kit - Steel	1
	281-37256-K003	Bubba/Bubba X 157x12 Axle Kit - Alloy	1
8	281-37256-K004	Bubba/Bubba X 157x12 Axle Kit - Steel	1
9	281-37254-K001	Bubba/Bubba X 6902 Bearing Kit -qty 2	1
	281-37254-K002	Bubba/Bubba X MS FH Bearing Kit	1

I9 HD MTN SP CL 28H 110X15 TA

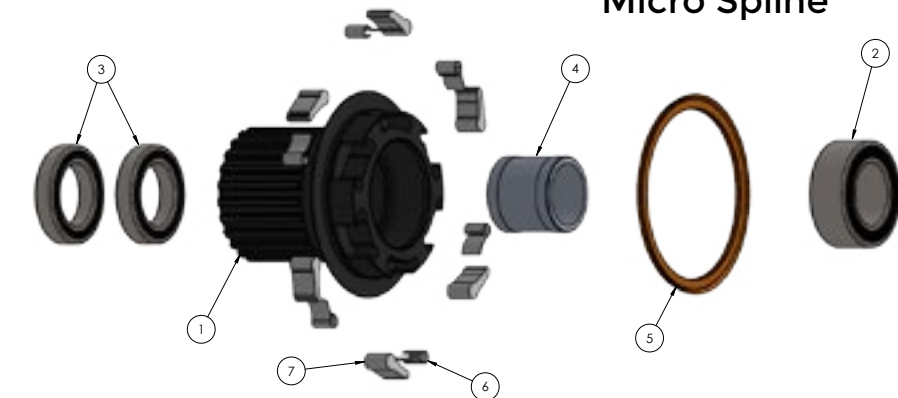


ITEM #	PART #	DESCRIPTION	QTY
1		Hub Shell	1
2	22537	AXLE, I9 HDMTN FRT CL 110/15 HUB	1
3	20165	BEARING, ENDURO 18307 ABEC 5	2
4	22538	END CAP, I9 HDMTN FRNT 15MM KIT	1
5	N/A	see item 4	
6	N/A	o-ring 18mm x 1mm	2

I9 HD MTN SP CL 28H 148X12, I9 HD MS



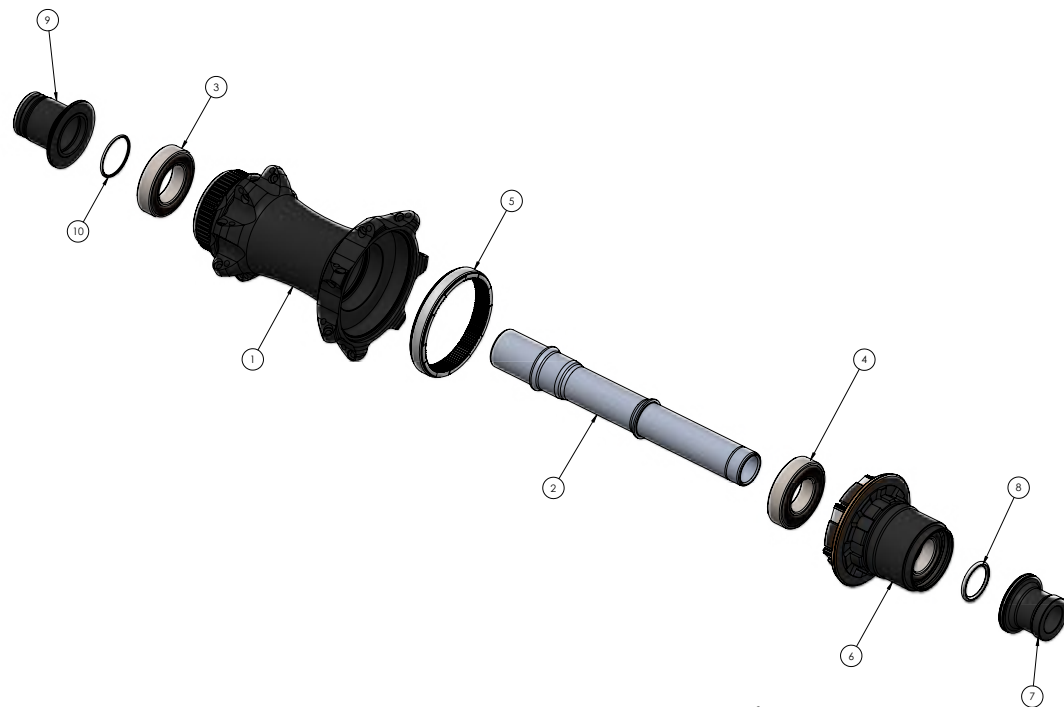
Hydra Mountain Freehub Micro Spline



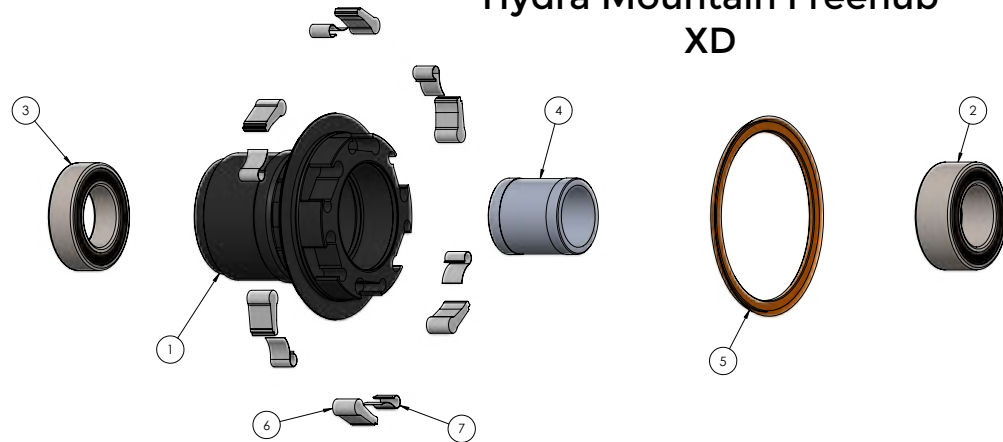
ITEM #	PART #	DESCRIPTION	QTY
1	N/A	Hub Shell	
2	22534	AXLE, I9 HDMTN REAR CL 148/12 HUB	1
3	20168	BEARING, ENDURO 61903 ABEC 5	1
4	20164	BEARING, I9 15307 A5	1
5	N/A	HYDRA 115t DRIVE RING	1
6	22532	FREEHUB, I9 HD MS 12-SPD MTN 6-PAWL	1
7	22541	END CAP, I9 HD RR MS 142/148/12 KIT	1
8	N/A	o-ring 1/16 X 9/16	1
9	N/A	See Item 7	
10	N/A	O-ring 17 X 1	1

ITEM #	PART #	DESCRIPTION	QTY
1	22530	FREEHUB, I9 HD SPL 10-SP MTN 6-PAWL	1
	22531	FREEHUB, I9 HD XD 11-SP MTN 6-PAWL	1
	22532	FREEHUB, I9 HD MS 12-SPD MTN 6-PAWL	1
2	423-39028-0001	BEARING, ENDURO 152610, I9 HYDRA MS FHB	1
3	20157	BEARING, 6802, ABEC 3, 2RS	2
4	N/A	HYDRA/101 MTN FREEHUB SPACER MICRO SPLINE	1
5	N/A	SEAL RING	
6	22548	HUB, I9 HYDRA MTN 6 PAWL SPRING KIT	1
7	N/A	HYDRA PAWL	6

19 HD MTN SP CL 28H 148X12, 19 HD XD



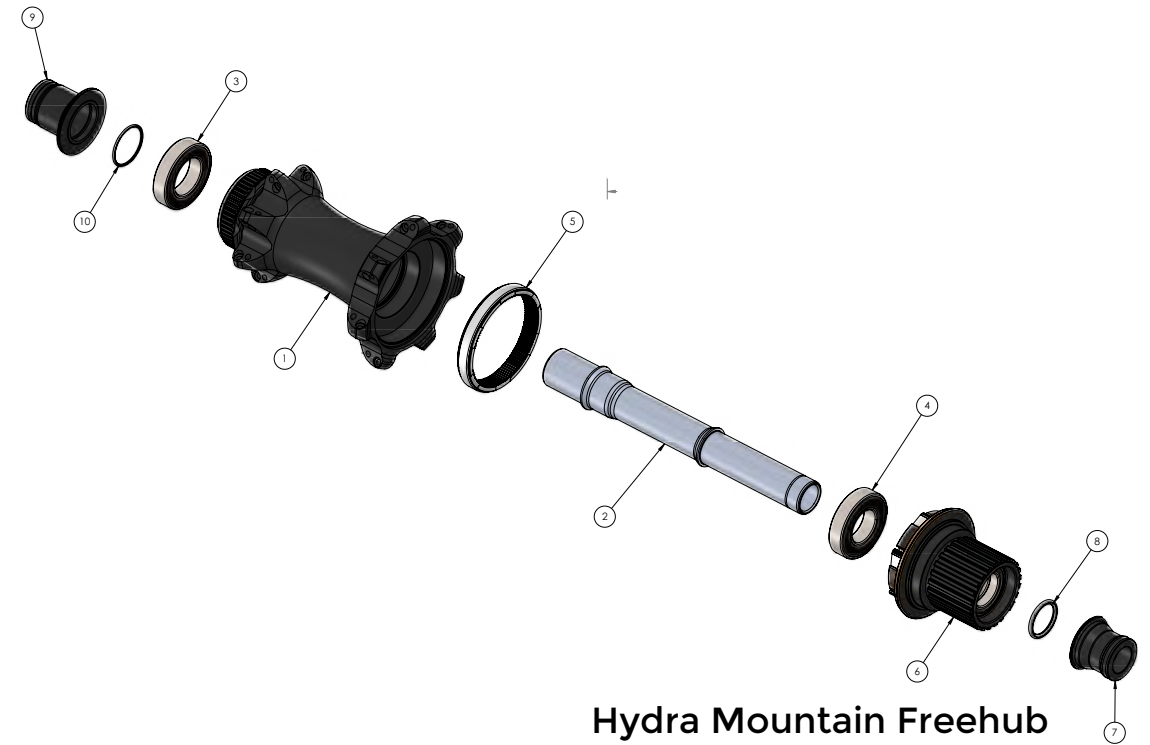
Hydra Mountain Freehub
XD



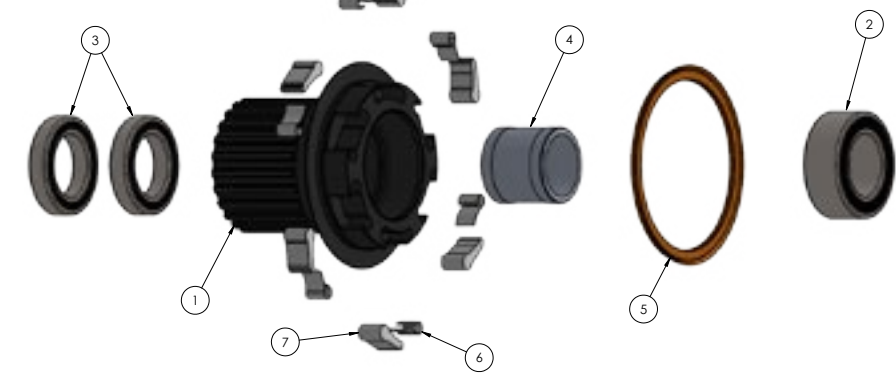
ITEM #	PART #	DESCRIPTION	QTY
1	N/A	Hub Shell	
2	22534	AXLE, 19 HDMTN REAR CL 148/12 HUB	1
3	20168	BEARING, ENDURO 61903 ABEC 5	1
4	20164	BEARING, i9 15307 A5	1
5	N/A	HYDRA 115t DRIVE RING	1
6	22531	FREEHUB, 19 HD XD 11-SP MTN 6-PAWL	1
7	22540	END CAP, 19 HD RR 142/148/12 KIT	1
8	N/A	o-ring 1/16 X 9/16	1
9	N/A	See Item 7	
10	N/A	O-ring 17 X 1	1

ITEM #	PART #	DESCRIPTION	QTY
1	22530	FREEHUB, 19 HD SPL 10-SP MTN 6-PAWL	1
	22531	FREEHUB, 19 HD XD 11-SP MTN 6-PAWL	1
	22532	FREEHUB, 19 HD MS 12-SPD MTN 6-PAWL	1
2	423-39028-0001	BEARING, ENDURO 152610, 19 HYDRA MS FHB	1
3	20157	BEARING, 6802, ABEC 3, 2RS	2
4	N/A	HYDRA/101 MTN FREEHUB SPACER MICRO SPLINE	1
5	N/A	SEAL RING	
6	22548	HUB, i9 HYDRA MTN 6 PAWL SPRING KIT	1
7	N/A	HYDRA PAWL	6

19 HD MTN SP CL 28H 157X12, 19 HD MS



Hydra Mountain Freehub
Micro Spline



ITEM #	PART #	DESCRIPTION	QTY
1	N/A	Hub Shell	
2	22535	AXLE, 19 HDMTN REAR CL 157/12 HUB	1
3	20168	BEARING, ENDURO 61903 ABEC 5	1
4	20164	BEARING, i9 15307 A5	1
5	N/A	HYDRA 115t DRIVE RING	1
6	22532	FREEHUB, 19 HD MS 12-SPD MTN 6-PAWL	1
7	22541	END CAP, 19 HD RR MS 142/148/12 KIT	1
8	N/A	o-ring 1/16 X 9/16	1
9	N/A	See Item 7	
10	N/A	O-ring 17 X 1	1

ITEM #	PART #	DESCRIPTION	QTY
1	22530	FREEHUB, 19 HD SPL 10-SP MTN 6-PAWL	1
	22531	FREEHUB, 19 HD XD 11-SP MTN 6-PAWL	1
	22532	FREEHUB, 19 HD MS 12-SPD MTN 6-PAWL	1
2	423-39028-0001	BEARING, ENDURO 152610, 19 HYDRA MS FHB	1
3	20157	BEARING, 6802, ABEC 3, 2RS	2
4	N/A	HYDRA/101 MTN FREEHUB SPACER MICRO SPLINE	1
5	N/A	SEAL RING	
6	22548	HUB, i9 HYDRA MTN 6 PAWL SPRING KIT	1
7	N/A	HYDRA PAWL	6

19 HD MTN SP CL 28H 157X12, 19 HD XD

NOTES



Hydra Mountain Freehub
XD

ITEM #	PART #	DESCRIPTION	QTY
1	N/A	Hub Shell	
2	22535	AXLE, 19 HDMTN REAR CL 157/12 HUB	1
3	20168	BEARING, ENDURO 61903 ABEC 5	1
4	20164	BEARING, i9 15307 A5	1
5	N/A	HYDRA 115t DRIVE RING	1
6	22531	FREEHUB, 19 HD XD 11-SP MTN 6-PAWL	1
7	22540	END CAP, 19 HD RR 142/148/12 KIT	1
8	N/A	O-ring 1/16 X 9/16	1
9	N/A	See Item 7	
10	N/A	O-ring 17 X 1	1

ITEM #	PART #	DESCRIPTION	QTY
1	22530	FREEHUB, 19 HD SPL 10-SP MTN 6-PAWL	1
	22531	FREEHUB, 19 HD XD 11-SP MTN 6-PAWL	1
	22532	FREEHUB, 19 HD MS 12-SPD MTN 6-PAWL	1
2	423-39028-0001	BEARING, ENDURO 152610, 19 HYDRA MS FHB	1
3	20157	BEARING, 6802, ABEC 3, 2RS	2
4	N/A	HYDRA/101 MTN FREEHUB SPACER MICRO SPLINE	1
5	N/A	SEAL RING	
6	22548	HUB, i9 HYDRA MTN 6 PAWL SPRING KIT	1
7	N/A	HYDRA PAWL	6

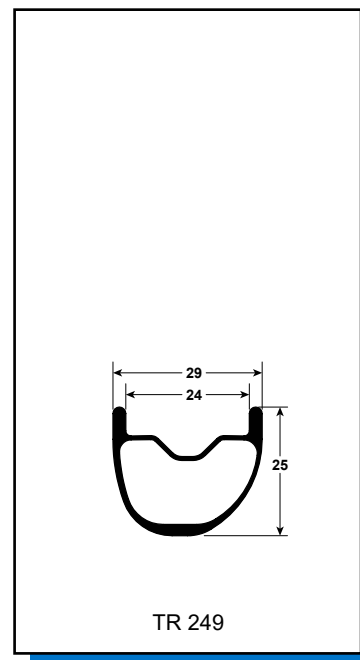
WARNING: The information contained herein is proprietary and confidential to Reynolds Cycling and Reynolds Cycling affiliates. This document is not intended for public distribution or disclosure. This document may be referenced and reproduced for and by Reynolds Cycling and Reynolds Cycling affiliates only.

TR 249 MOUNTAIN

78871	WS, 29 TR249 SHIM 28/28	
78873	W, 29 TR249 FRNT 28H	1
57932	D RIM, 29 XC PAC ASYM 28H 5°	1
20919	RIM TAPE, TL 25MM 5.5M INSTALED	1
22114	HUB, GW MTN TR3 FRNT 100/15 28	1
22420	SPOKE, SPM SPRINT SP 297MM BLK	14
22423	SPOKE, SPM SPRINT SP 300MM BLK	14
20355	NIPPLE, EXT BLACK BRASS SQ HEAD	28
21989	DECAL, 29 TR249 WHITE	0.5
20007	DECAL, NOT INTENDED FOR RB USE	1
20008	DECAL, REGISTER WHEELS	1
20332	WHEEL RAP HANG TAG	1
20120	BOX, TW DBLE WHL RNLD WIDE29er	0.5
78874	W, 29 TR249 SHIM 28H	1
57932	D RIM, 29 XC PAC ASYM 28H 5°	1
20919	RIM TAPE, TL 25MM 5.5M INSTALED	1
22116	HUB, GW MTN TR3 SHIM 142/12 28	1
22422	SPOKE, SPM SPRINT SP 299MM BLK	14
22423	SPOKE, SPM SPRINT SP 300MM BLK	14
20355	NIPPLE, EXT BLACK BRASS SQ HEAD	28
21989	DECAL, 29 TR249 WHITE	0.5
20007	DECAL, NOT INTENDED FOR RB USE	1
20008	DECAL, REGISTER WHEELS	1
20332	WHEEL RAP HANG TAG	1
20120	BOX, TW DBLE WHL RNLD WIDE29er	0.5
85513	W ACC KIT, MTN ASYM TL FRONT	1
3040	9 X 12 X 4MIL ZIP LOCK BAG	1
20333	REYNOLDS NEW PROD WEBSITE CARD	1
20904	VALVE STEM, AM 45MM LONG	1
85514	W ACC KIT, MTN ASYM TL REAR	1
3040	9 X 12 X 4MIL ZIP LOCK BAG	1
20333	REYNOLDS NEW PROD WEBSITE CARD	1
20904	VALVE STEM, AM 45MM LONG	1

FREEHUB OPTIONS

20783	O-RING, GW DB END CAPS
22099	SPACER, GW, RED 17.5*15*2.1 mm
22162	SPACER, GW REAR AXLE
22122	END CAP, GW DB FRNT 15MM TA
22128	END CAP, GW DB R 12/142 TA
22567	FREEHUB, GW TR3 XD 4 PAWL 3 BEARING
22569	FREEHUB, GW TR3 SPL 4 PAWL 3 BEARING
22572	FREEHUB, GW TR3 MS 4 PAWL 3 BEARING
22161	AXLE, GW FRONT TA
22169	AXLE, GW 142 DB REAR 15/12/125 CrMo
21439	AXLE, GW LITE STEEL 15/13/131 CRMO 148
21440	AXLE, GW LITE STEEL 15/13/140 CRMO 157
22163	SEAL, GW REAR HUB NDS

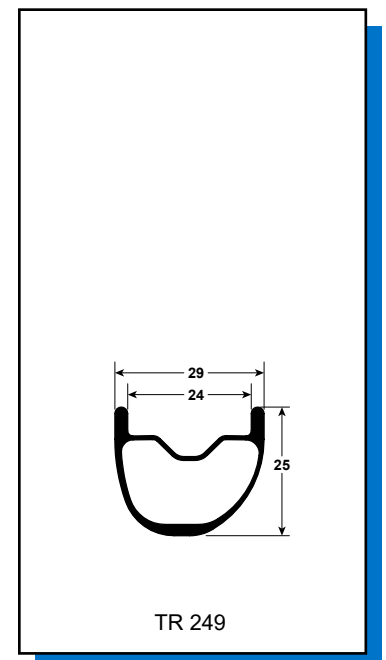


TR 249 S MOUNTAIN

78771	WS, 29 TR249s SHIM 28/28	
78773	W, 29 TR249s FRNT 28H	1
57932	D RIM, 29 XC PAC ASYM 28H 5°	1
20919	RIM TAPE, TL 25MM 5.5M INSTALED	1
22136	HUB, GW MTN CL FRNT 100/15 28H	1
22490	SPOKE, SPM CXDELTA SP 300MM BL	14
22492	SPOKE, SPM CXDELTA SP 302MM BL	14
20311	NIPPLE, EXT BLACK ALLOY SQ HEAD	28
21979	DECAL, 29 TR249s GRAY	1
81204	DECAL KIT, TR249s - 5 COLORS	1
20007	DECAL, NOT INTENDED FOR RB USE	1
20008	DECAL, REGISTER WHEELS	1
20332	WHEEL RAP HANG TAG	1
20120	BOX, TW DBLE WHL RNLD WIDE29er	0.5
78774	W, 29 TR249s SHIM 28H	1
57932	D RIM, 29 XC PAC ASYM 28H 5°	1
20919	RIM TAPE, TL 25MM 5.5M INSTALED	1
22138	HUB, GW MTN CL SHIM 142/12 28H	1
22490	SPOKE, SPM CXDELTA 300MM SP BLK	28
20311	NIPPLE, EXT BLACK ALLOY SQ HEAD	28
21979	DECAL, 29 TR249s GRAY	1
81204	DECAL KIT, TR249s - 5 COLORS	1
20007	DECAL, NOT INTENDED FOR RB USE	1
20008	DECAL, REGISTER WHEELS	1
20332	WHEEL RAP HANG TAG	1
20120	BOX, TW DBLE WHL RNLD WIDE29er	0.5
85513	W ACC KIT, MTN ASYM TL FRONT	1
3040	9 X 12 X 4MIL ZIP LOCK BAG	1
20333	REYNOLDS NEW PROD WEBSITE CARD	1
20904	VALVE STEM, AM 45MM LONG	1
85514	W ACC KIT, MTN ASYM TL REAR	1
3040	9 X 12 X 4MIL ZIP LOCK BAG	1
20333	REYNOLDS NEW PROD WEBSITE CARD	1
20904	VALVE STEM, AM 45MM LONG	1

FREEHUB OPTIONS

20783	O-RING, GW DB END CAPS
22099	SPACER, GW, RED 17.5*15*2.1 mm
22162	SPACER, GW REAR AXLE
22122	END CAP, GW DB FRNT 15MM TA
22128	END CAP, GW DB R 12/142 TA
22148	FREEHUB, GW MTN SHIM 6 PAWL
22151	FREEHUB, GW MTN XD 6 PAWL
22519	FREEHUB, GW TR6 MS 6 PAWL
22161	AXLE, GW FRONT TA
22169	AXLE, GW 142 DB REAR 15/12/125 CrMo
21439	AXLE, GW LITE STEEL 15/13/131 CRMO 148
21440	AXLE, GW LITE STEEL 15/13/140 CRMO 157
22163	SEAL, GW REAR HUB NDS

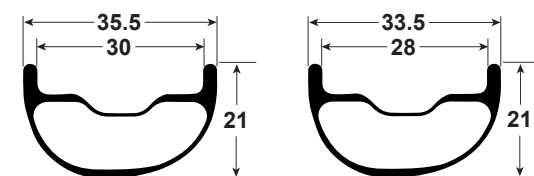


TR 309/289 XC

70642	WS, TR309/289 XC TSS MS 24/28H 148	
70643	W, TR309 TSS FRNT 24H	1
50633	D RIM, 30mm XC TR 24H	1
21886	RIM TAPE, TL 30MM 5.5M INSTALED	1
22562	HUB, GW MTN TR3 FRNT 15/110 24H	1
22423	SPOKE, SPM SPRINT SP 300MM BLK	12
22424	SPOKE, SPM SPRINT SP 301MM BLK	12
20355	NIPPLE, EXT BLACK BRASS SQ HEAD	28
22367	Decal, VINYL TR309 XC	1
85513	W ACC KIT, MTN ASYM TL FRONT	1
3040	9 X 12 X 4MIL ZIP LOCK BAG	1
20333	REYNOLDS NEW PROD WEBSITE CARD	1
20904	VALVE STEM, AM 45MM LONG	1
70645	W, TR289 XC TSS MS 28H 148	1
50634	D RIM, 28mm XC TR 28H	1
21886	RIM TAPE, TL 30MM 5.5M INSTALED	1
22123	HUB, GW MTN TR3 MS 148/12 28H	1
22425	SPOKE, SPM SPRINT SP 302MM BLK	14
22426	SPOKE, SPM SPRINT SP 303MM BLK	14
20355	NIPPLE, EXT BLACK BRASS SQ HEAD	28
22368	Decal, VINYL TR289 XC	1
85514	W ACC KIT, MTN ASYM TL REAR	1
3040	9 X 12 X 4MIL ZIP LOCK BAG	1
20333	REYNOLDS NEW PROD WEBSITE CARD	1
20904	VALVE STEM, AM 45MM LONG	1

FREEHUB OPTIONS

20783	O-RING, GW DB END CAPS
22099	SPACER, GW, RED 17.5*15*2.1 mm
22162	SPACER, GW REAR AXLE
22122	END CAP, GW DB FRNT 15MM TA
22128	END CAP, GW DB R 12/142 TA
22567	FREEHUB, GW TR3 XD 4 PAWL 3 BEARING
22569	FREEHUB, GW TR3 SPL 4 PAWL 3 BEARING
22572	FREEHUB, GW TR3 MS 4 PAWL 3 BEARING
22161	AXLE, GW FRONT TA
22169	AXLE, GW 142 DB REAR 15/12/125 CrMo
21439	AXLE, GW LITE STEEL 15/13/131 CRMO 148
21440	AXLE, GW LITE STEEL 15/13/140 CRMO 157
22163	SEAL, GW REAR HUB NDS



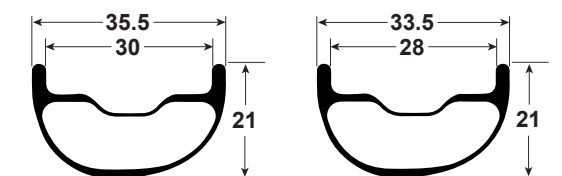
309/289 XC

TR 309/289 S XC

70632	WS, TR309/289s XC TSS MS 24/28H 148	
70633	W, TR309s TSS FRNT 24H	1
50633	D RIM, 30mm XC TR 24H	1
21886	RIM TAPE, TL 30MM 5.5M INSTALED	1
22561	HUB, GW MTN CL FRNT 15/110 24H	1
22490	SPOKE, SPM CXDELTA SP 300MM BL	12
22491	SPOKE, SPM CXDELTA SP 301MM BL	12
20311	NIPPLE, EXT BLACK ALLOY SQ HEAD	28
22365	Decal, VINYL TR309s XC	1
22317	DECAL KIT, TR309s XC - 5 COLORS	1
85513	W ACC KIT, MTN ASYM TL FRONT	1
3040	9 X 12 X 4MIL ZIP LOCK BAG	1
20333	REYNOLDS NEW PROD WEBSITE CARD	1
20904	VALVE STEM, AM 45MM LONG	1
70635	W, TR289s XC TSS MS 28H 148	1
50634	D RIM, 28mm XC TR 28H	1
21886	RIM TAPE, TL 30MM 5.5M INSTALED	1
22125	HUB, GW MTN TR6 MS 148/12 28H	1
22489	SPOKE, SPM CXDELTA SP 306MM BL	28
20311	NIPPLE, EXT BLACK ALLOY SQ HEAD	28
22366	Decal, VINYL TR289s XC	1
22318	DECAL KIT, TR289s XC - 5 COLORS	1
85514	W ACC KIT, MTN ASYM TL REAR	1
3040	9 X 12 X 4MIL ZIP LOCK BAG	1
20333	REYNOLDS NEW PROD WEBSITE CARD	1
20904	VALVE STEM, AM 45MM LONG	1

FREEHUB OPTIONS

20783	O-RING, GW DB END CAPS
22099	SPACER, GW, RED 17.5*15*2.1 mm
22162	SPACER, GW REAR AXLE
22122	END CAP, GW DB FRNT 15MM TA
22128	END CAP, GW DB R 12/142 TA
22148	FREEHUB, GW MTN SHIM 6 PAWL
22151	FREEHUB, GW MTN XD 6 PAWL
22519	FREEHUB, GW TR6 MS 6 PAWL
22161	AXLE, GW FRONT TA
22169	AXLE, GW 142 DB REAR 15/12/125 CrMo
21439	AXLE, GW LITE STEEL 15/13/131 CRMO 148
21440	AXLE, GW LITE STEEL 15/13/140 CRMO 157
22163	SEAL, GW REAR HUB NDS



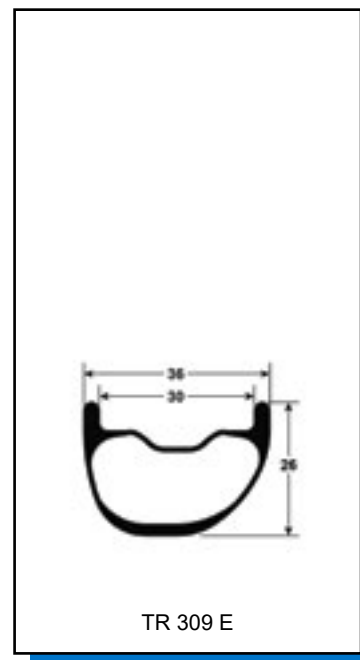
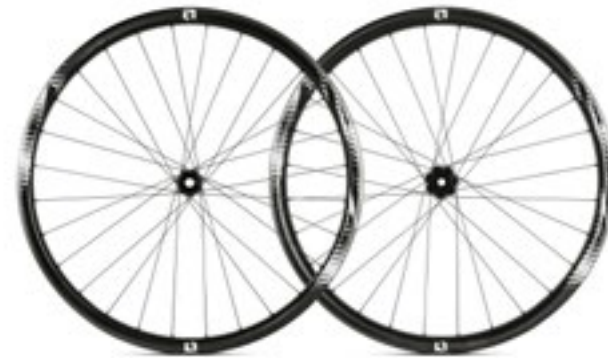
309/289 XC

TR 307 MOUNTAIN

78801	WS, 27.5 TR307 SHIM 28/28	
78803	W, 27.5 TR307 FRNT 28H	1
58902	D RIM, 27.5 WD PAC ASYM 28H 5°	1
21886	RIM TAPE, TL 30MM 5.5M INSTALED	1
22114	HUB, GW MTN TR3 FRNT 100/15 28	1
22410	SPOKE, SPM SPRINT SP 278MM BLK	14
22412	SPOKE, SPM SPRINT SP 280MM BLK	14
20355	NIPPLE, EXT BLACK BRASS SQ HEAD	28
21984	DECAL, 27.5 TR307 WHITE	0.5
20007	DECAL, NOT INTENDED FOR RB USE	1
20008	DECAL, REGISTER WHEELS	1
20332	WHEEL RAP HANG TAG	1
20120	BOX, TW DBLE WHL RNLD WIDE29er	0.5
78804	W, 27.5 TR307 SHIM 28H	1
58902	D RIM, 27.5 WD PAC ASYM 28H 5°	1
21886	RIM TAPE, TL 30MM 5.5M INSTALED	1
22116	HUB, GW MTN TR3 SHIM 142/12 28	1
22410	SPOKE, SPM SPRINT SP 278MM BLK	14
22413	SPOKE, SPM SPRINT SP 281MM BLK	14
20355	NIPPLE, EXT BLACK BRASS SQ HEAD	28
21984	DECAL, 27.5 TR307 WHITE	0.5
20007	DECAL, NOT INTENDED FOR RB USE	1
20008	DECAL, REGISTER WHEELS	1
20332	WHEEL RAP HANG TAG	1
20120	BOX, TW DBLE WHL RNLD WIDE29er	0.5
85513	W ACC KIT, MTN ASYM TL FRONT	1
3040	9 X 12 X 4MIL ZIP LOCK BAG	1
20333	REYNOLDS NEW PROD WEBSITE CARD	1
20904	VALVE STEM, AM 45MM LONG	1
85514	W ACC KIT, MTN ASYM TL REAR	1
3040	9 X 12 X 4MIL ZIP LOCK BAG	1
20333	REYNOLDS NEW PROD WEBSITE CARD	1
20904	VALVE STEM, AM 45MM LONG	1

FREEHUB OPTIONS

20783	O-RING, GW DB END CAPS
22099	SPACER, GW, RED 17.5*15*2.1 mm
22162	SPACER, GW REAR AXLE
22122	END CAP, GW DB FRNT 15MM TA
22128	END CAP, GW DB R 12/142 TA
22567	FREEHUB, GW TR3 XD 4 PAWL 3 BEARING
22569	FREEHUB, GW TR3 SPL 4 PAWL 3 BEARING
22572	FREEHUB, GW TR3 MS 4 PAWL 3 BEARING
22161	AXLE, GW FRONT TA
22169	AXLE, GW 142 DB REAR 15/12/125 CrMo
21439	AXLE, GW LITE STEEL 15/13/131 CRMO 148
21440	AXLE, GW LITE STEEL 15/13/140 CRMO 157
22163	SEAL, GW REAR HUB NDS

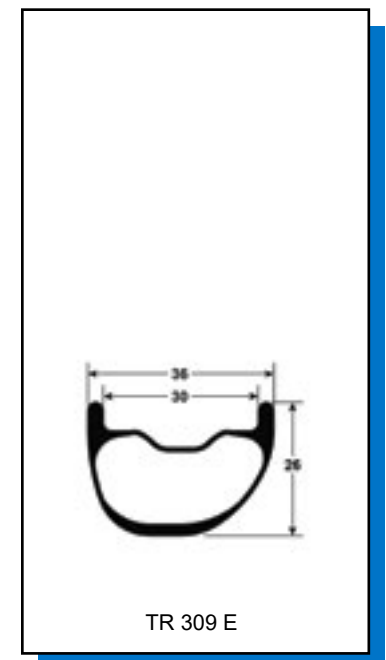


TR 307 S MOUNTAIN

78701	WS, 27.5 TR307s SHIM 28/28	
78703	W, 27.5 TR307s FRNT 28H	1
58902	D RIM, 27.5 WD PAC ASYM 28H 5°	1
21886	RIM TAPE, TL 30MM 5.5M INSTALED	1
22136	HUB, GW MTN CL FRNT 100/15 28H	1
22480	SPOKE, SPM CXDELTA 280MM SP BL	14
22481	SPOKE, SPM CXDELTA 281MM SP BL	14
20311	NIPPLE, EXT BLACK ALLOY SQ HEAD	28
21974	DECAL, 27.5 TR307s GRAY	1
81201	DECAL KIT, TR307s - 5 COLORS	1
20007	DECAL, NOT INTENDED FOR RB USE	1
20008	DECAL, REGISTER WHEELS	1
20332	WHEEL RAP HANG TAG	1
20120	BOX, TW DBLE WHL RNLD WIDE29er	0.5
78704	W, 27.5 TR307s SHIM 28H	1
58902	D RIM, 27.5 WD PAC ASYM 28H 5°	1
21886	RIM TAPE, TL 30MM 5.5M INSTALED	1
22138	HUB, GW MTN CL SHIM 142/12 28H	1
22481	SPOKE, SPM CXDELTA 281MM SP BL	28
20311	NIPPLE, EXT BLACK ALLOY SQ HEAD	28
21974	DECAL, 27.5 TR307s GRAY	1
81201	DECAL KIT, TR307s - 5 COLORS	1
20007	DECAL, NOT INTENDED FOR RB USE	1
20008	DECAL, REGISTER WHEELS	1
20332	WHEEL RAP HANG TAG	1
20120	BOX, TW DBLE WHL RNLD WIDE29er	0.5
85513	W ACC KIT, MTN ASYM TL FRONT	1
3040	9 X 12 X 4MIL ZIP LOCK BAG	1
20904	VALVE STEM, AM 45MM LONG	1
85514	W ACC KIT, MTN ASYM TL REAR	1
3040	9 X 12 X 4MIL ZIP LOCK BAG	1
20333	REYNOLDS NEW PROD WEBSITE CARD	1
20904	VALVE STEM, AM 45MM LONG	1

FREEHUB OPTIONS

20783	O-RING, GW DB END CAPS
22099	SPACER, GW, RED 17.5*15*2.1 mm
22162	SPACER, GW REAR AXLE
22122	END CAP, GW DB FRNT 15MM TA
22128	END CAP, GW DB R 12/142 TA
22148	FREEHUB, GW MTN SHIM 6 PAWL
22151	FREEHUB, GW MTN XD 6 PAWL
22519	FREEHUB, GW TR6 MS 6 PAWL
22161	AXLE, GW FRONT TA
22169	AXLE, GW 142 DB REAR 15/12/125 CrMo
21439	AXLE, GW LITE STEEL 15/13/131 CRMO 148
21440	AXLE, GW LITE STEEL 15/13/140 CRMO 157
22163	SEAL, GW REAR HUB NDS

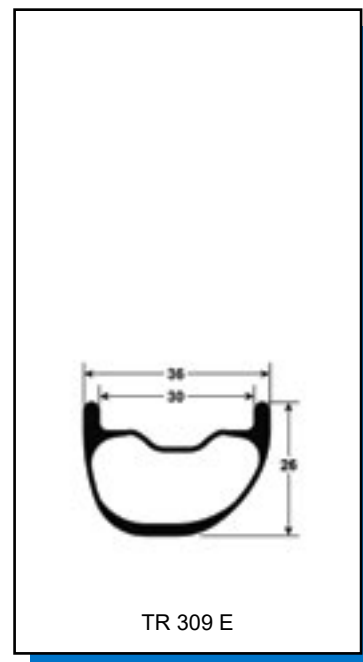


TR 309 MOUNTAIN

78851	WS, 29 TR309 SHIM 28/28	
78853	W, 29 TR309 FRNT 28H	1
58922	D RIM, 29 WD PAC ASYM 28H 5°	1
21886	RIM TAPE, TL 30MM 5.5M INSTALED	1
22114	HUB, GW MTN TR3 FRNT 100/15 28	1
22420	SPOKE, SPM SPRINT SP 297MM BLK	14
22422	SPOKE, SPM SPRINT SP 299MM BLK	14
20355	NIPPLE, EXT BLACK BRASS SQ HEAD	28
21986	DECAL, 29 TR309 WHITE	0.5
20007	DECAL, NOT INTENDED FOR RB USE	1
20008	DECAL, REGISTER WHEELS	1
20332	WHEEL RAP HANG TAG	1
20120	BOX, TW DBLE WHL RNLD WIDE29er	0.5
78854	W, 29 TR309 SHIM 28H	1
58922	D RIM, 29 WD PAC ASYM 28H 5°	1
21886	RIM TAPE, TL 30MM 5.5M INSTALED	1
22116	HUB, GW MTN TR3 SHIM 142/12 28	1
22420	SPOKE, SPM SPRINT SP 297MM BLK	14
22424	SPOKE, SPM SPRINT SP 301MM BLK	14
20355	NIPPLE, EXT BLACK BRASS SQ HEAD	28
21986	DECAL, 29 TR309 WHITE	0.5
20007	DECAL, NOT INTENDED FOR RB USE	1
20008	DECAL, REGISTER WHEELS	1
20332	WHEEL RAP HANG TAG	1
20120	BOX, TW DBLE WHL RNLD WIDE29er	0.5
85513	W ACC KIT, MTN ASYM TL FRONT	1
3040	9 X 12 X 4MIL ZIP LOCK BAG	1
20333	REYNOLDS NEW PROD WEBSITE CARD	1
20904	VALVE STEM, AM 45MM LONG	1
85514	W ACC KIT, MTN ASYM TL REAR	1
3040	9 X 12 X 4MIL ZIP LOCK BAG	1
20333	REYNOLDS NEW PROD WEBSITE CARD	1
20904	VALVE STEM, AM 45MM LONG	1

FREEHUB OPTIONS

20783	O-RING, GW DB END CAPS
22099	SPACER, GW, RED 17.5*15*2.1 mm
22162	SPACER, GW REAR AXLE
22122	END CAP, GW DB FRNT 15MM TA
22128	END CAP, GW DB R 12/142 TA
22567	FREEHUB, GW TR3 XD 4 PAWL 3 BEARING
22569	FREEHUB, GW TR3 SPL 4 PAWL 3 BEARING
22572	FREEHUB, GW TR3 MS 4 PAWL 3 BEARING
22161	AXLE, GW FRONT TA
22169	AXLE, GW 142 DB REAR 15/12/125 CrMo
21439	AXLE, GW LITE STEEL 15/13/131 CRMO 148
21440	AXLE, GW LITE STEEL 15/13/140 CRMO 157
22163	SEAL, GW REAR HUB NDS

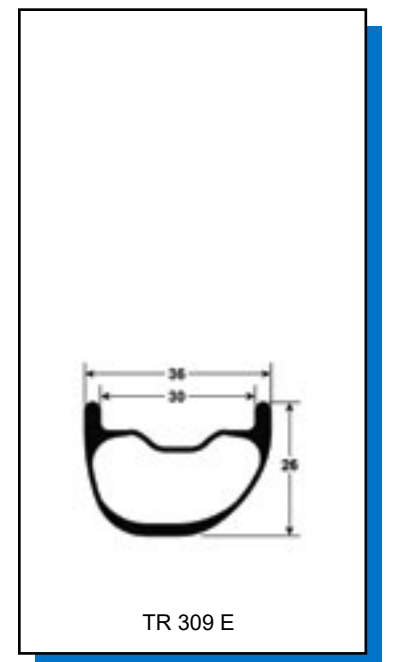


TR 309 S MOUNTAIN

78751	WS, 29 TR309s SHIM 28/28	
78753	W, 29 TR309s FRNT 28H	1
58922	D RIM, 29 WD PAC ASYM 28H 5°	1
21886	RIM TAPE, TL 30MM 5.5M INSTALED	1
22136	HUB, GW MTN CL FRNT 100/15 28H	1
22490	SPOKE, SPM CXDELTA 300MM SP BLK	28
20311	NIPPLE, EXT BLACK ALLOY SQ HEAD	28
21976	DECAL, 29 TR309s GRAY	1
81203	DECAL KIT, TR309s - 5 COLORS	1
20007	DECAL, NOT INTENDED FOR RB USE	1
20008	DECAL, REGISTER WHEELS	1
20332	WHEEL RAP HANG TAG	1
20120	BOX, TW DBLE WHL RNLD WIDE29er	0.5
78754	W, 29 TR309s SHIM 28H	1
58922	D RIM, 29 WD PAC ASYM 28H 5°	1
21886	RIM TAPE, TL 30MM 5.5M INSTALED	1
22138	HUB, GW MTN CL SHIM 142/12 28H	1
22490	SPOKE, SPM CXDELTA 300MM SP BLK	28
20311	NIPPLE, EXT BLACK ALLOY SQ HEAD	28
21976	DECAL, 29 TR309s GRAY	1
81203	DECAL KIT, TR309s - 5 COLORS	1
20007	DECAL, NOT INTENDED FOR RB USE	1
20008	DECAL, REGISTER WHEELS	1
20332	WHEEL RAP HANG TAG	1
20120	BOX, TW DBLE WHL RNLD WIDE29er	0.5
85513	W ACC KIT, MTN ASYM TL FRONT	1
3040	9 X 12 X 4MIL ZIP LOCK BAG	1
20333	REYNOLDS NEW PROD WEBSITE CARD	1
85514	W ACC KIT, MTN ASYM TL REAR	1
3040	9 X 12 X 4MIL ZIP LOCK BAG	1
20333	REYNOLDS NEW PROD WEBSITE CARD	1
20904	VALVE STEM, AM 45MM LONG	1

FREEHUB OPTIONS

20783	O-RING, GW DB END CAPS
22099	SPACER, GW, RED 17.5*15*2.1 mm
22162	SPACER, GW REAR AXLE
22122	END CAP, GW DB FRNT 15MM TA
22128	END CAP, GW DB R 12/142 TA
22148	FREEHUB, GW MTN SHIM 6 PAWL
22151	FREEHUB, GW MTN XD 6 PAWL
22519	FREEHUB, GW TR6 MS 6 PAWL
22161	AXLE, GW FRONT TA
22169	AXLE, GW 142 DB REAR 15/12/125 CrMo
21439	AXLE, GW LITE STEEL 15/13/131 CRMO 148
21440	AXLE, GW LITE STEEL 15/13/140 CRMO 157
22163	SEAL, GW REAR HUB NDS



TR 327 TRAIL 148

447-39214-1300	WS, TR327 TRAIL TSS 148 MS/XD 28/28H	
447-39214-2000	W, TR327 TRAIL TSS 110 FRNT 28H	1
437-38942-5280	D RIM, TR 327 Trail 28H	1
427-39250-0002	RIM TAPE, TL 34MM 5.5M INSTALED	1
16-38384-C001	SRX CL F Hub 28h Blk 110x15	1
22417	SPOKE, SPM SPRINT SP 288MM BLK	28
20355	NIPPLE, EXT BLACK BRASS SQ HEAD	28
425-39241-0001	DECAL, TR327 WHITE	1
441-39343-B045	ACC KIT, BASE +45 BRASS	1
21011	VALVE STEM, TUBELESS 45MM LONG	1
447-39214-2300	W, TR327 TRAIL TSS 148 MS/XD 28H	1
437-38942-5280	D RIM, TR 327 Trail 28H	1
427-39250-0002	RIM TAPE, TL 34MM 5.5M INSTALED	1
16-38341-C006	SRX CL R Hub 28h 148x12 MS 3P AL/AL	1
22417	SPOKE, SPM SPRINT SP 288MM BLK	28
20355	NIPPLE, EXT BLACK BRASS SQ HEAD	28
425-39241-0001	DECAL, TR327 WHITE	1
441-39343-B045	ACC KIT, BASE +45 BRASS	1
21011	VALVE STEM, TUBELESS 45MM LONG	1

TR 329 TRAIL 157

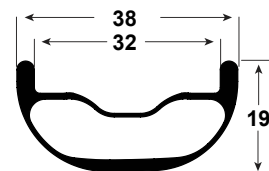
447-39214-1301	WS, TR327 TRAIL TSS 157 MS/XD 28/28H	
447-39212-2000	W, TR329 TSS TRAIL 110 FRNT 28H	1
437-38941-5280	D RIM, TR 329 Trail 28H	1
427-39250-0002	RIM TAPE, TL 34MM 5.5M INSTALED	1
16-38384-C001	SRX CL F Hub 28h Blk 110x15	1
22436	SPOKE, SPM SPRINT SP 306MM BLK	28
20355	NIPPLE, EXT BLACK BRASS SQ HEAD	28
425-39242-0001	DECAL, TR329 WHITE	1
441-39343-B045	ACC KIT, BASE +45 BRASS	1
21011	VALVE STEM, TUBELESS 45MM LONG	1
447-39214-2301	W, TR327 TRAIL TSS 157 MS/XD 28H	1
437-38942-5280	D RIM, TR 327 Trail 28H	1
427-39250-0002	RIM TAPE, TL 34MM 5.5M INSTALED	1
16-38405-C006	SRX CL R Hub 28h 157x12 MS 3P AL/AL	1
22417	SPOKE, SPM SPRINT SP 288MM BLK	28
20355	NIPPLE, EXT BLACK BRASS SQ HEAD	28
425-39241-0001	DECAL, TR327 WHITE	1
441-39343-B045	ACC KIT, BASE +45 BRASS	1
21011	VALVE STEM, TUBELESS 45MM LONG	1

FREEHUB OPTIONS

281-31520-K001	SRC/SRX FH Body Kit HG Steel 3 Pawl
281-31520-K002	SRC/SRX FH Body Kit HG Alloy 3 Pawl
281-31520-K003	SRC/SRX FH Body Kit XD Steel 3 Pawl
281-31520-K004	SRC/SRX FH Body Kit XD Alloy 3 Pawl
281-31520-K007	SRC/SRX FH Body Kit MS Alloy 3 Pawl
281-31520-K008	SRC/SRX FH Body Kit MS Steel 3 Pawl

END CAP OPTIONS

281-31519-K017	SRX CL Front 15mm End Cap Kit
281-31519-K014	SRX CL Rear 12mm HG End Cap Kit
281-31519-K015	SRX CL Rear 12mm XD End Cap Kit
281-31519-K016	SRX CL Rear 12mm MS End Cap Kit



TR 327 / TR 329

TR 329 TRAIL 148

447-39212-1300	WS, TR329 TSS TRAIL 148 MS/XD 28/28h	
447-39212-2000	W, TR329 TSS TRAIL 110 FRNT 28H	1
437-38941-5280	D RIM, TR 329 Trail 28H	1
427-39250-0002	RIM TAPE, TL 34MM 5.5M INSTALED	1
16-38384-C001	SRX CL F Hub 28h Blk 110x15	1
22436	SPOKE, SPM SPRINT SP 306MM BLK	28
20355	NIPPLE, EXT BLACK BRASS SQ HEAD	28
425-39242-0001	DECAL, TR329 WHITE	1
441-39343-B045	ACC KIT, BASE +45 BRASS	1
21011	VALVE STEM, TUBELESS 45MM LONG	1
447-39212-2300	W, TR329 TSS TRAIL 148 MS/XD 28H	1
437-38941-5280	D RIM, TR 329 Trail 28H	1
427-39250-0002	RIM TAPE, TL 34MM 5.5M INSTALED	1
16-38341-C006	SRX CL R Hub 28h 148x12 MS 3P AL/AL	1
22436	SPOKE, SPM SPRINT SP 306MM BLK	28
20355	NIPPLE, EXT BLACK BRASS SQ HEAD	28
425-39242-0001	DECAL, TR329 WHITE	1
441-39343-B045	ACC KIT, BASE +45 BRASS	1
21011	VALVE STEM, TUBELESS 45MM LONG	1

TR 329 TRAIL 157

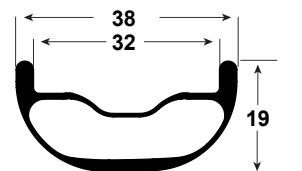
447-39212-1301	WS, TR329 TSS TRAIL 157 MS/XD 2828	
447-39212-2000	W, TR329 TSS TRAIL 110 FRNT 28H	1
437-38941-5280	D RIM, TR 329 Trail 28H	1
427-39250-0002	RIM TAPE, TL 34MM 5.5M INSTALED	1
16-38384-C001	SRX CL F Hub 28h Blk 110x15	1
22436	SPOKE, SPM SPRINT SP 306MM BLK	28
20355	NIPPLE, EXT BLACK BRASS SQ HEAD	28
425-39242-0001	DECAL, TR329 WHITE	1
441-39343-B045	ACC KIT, BASE +45 BRASS	1
21011	VALVE STEM, TUBELESS 45MM LONG	1
447-39212-2301	W, TR329 TSS TRAIL 157 MS/XD 28H	1
437-38941-5280	D RIM, TR 329 Trail 28H	1
427-39250-0002	RIM TAPE, TL 34MM 5.5M INSTALED	1
16-38405-C006	SRX CL R Hub 28h 157x12 MS 3P AL/AL	1
22436	SPOKE, SPM SPRINT SP 306MM BLK	28
20355	NIPPLE, EXT BLACK BRASS SQ HEAD	28
425-39242-0001	DECAL, TR329 WHITE	1
441-39343-B045	ACC KIT, BASE +45 BRASS	1
21011	VALVE STEM, TUBELESS 45MM LONG	1

FREEHUB OPTIONS

281-31520-K001	SRC/SRX FH Body Kit HG Steel 3 Pawl
281-31520-K002	SRC/SRX FH Body Kit HG Alloy 3 Pawl
281-31520-K003	SRC/SRX FH Body Kit XD Steel 3 Pawl
281-31520-K004	SRC/SRX FH Body Kit XD Alloy 3 Pawl
281-31520-K007	SRC/SRX FH Body Kit MS Alloy 3 Pawl
281-31520-K008	SRC/SRX FH Body Kit MS Steel 3 Pawl

END CAP OPTIONS

281-31519-K017	SRX CL Front 15mm End Cap Kit
281-31519-K014	SRX CL Rear 12mm HG End Cap Kit
281-31519-K015	SRX CL Rear 12mm XD End Cap Kit
281-31519-K016	SRX CL Rear 12mm MS End Cap Kit



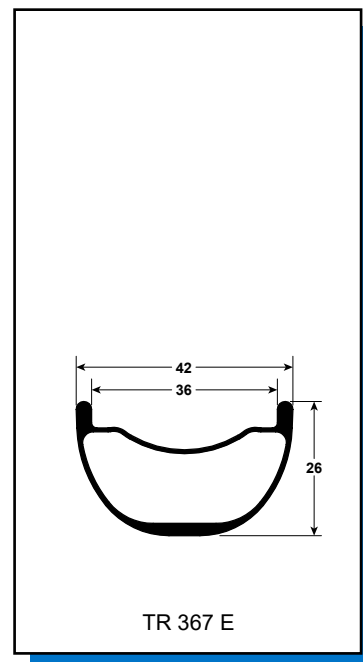
TR 327 / TR 329

TR 367 MOUNTAIN

78826	WS, 27.5 TR367 BST SHIM 28/28	
81260	D RIM, 27.5 PLUS PAC 28H	1
20918	RIM TAPE, TL 22MM 5.5M INSTALED	1
22115	HUB, GW MTN TR3 FRNT 110/15 28	1
22413	SPOKE, SPM SPRINT SP 281MM BLK	28
20355	NIPPLE, EXT BLACK BRASS SQ HEAD	28
21988	DECAL, 27.5 TR367 WHITE	0.5
20007	DECAL, NOT INTENDED FOR RB USE	1
20008	DECAL, REGISTER WHEELS	1
20332	WHEEL RAP HANG TAG	1
20120	BOX, TW DBLE WHL RNLD WIDE29er	0.5
78829	W, 27.5 TR367 BST SHIM 28H	1
81260	D RIM, 27.5 PLUS PAC 28H	1
20918	RIM TAPE, TL 22MM 5.5M INSTALED	1
22118	HUB, GW MTN TR3 SHIM 148/12 28	1
22411	SPOKE, SPM SPRINT SP 279MM BLK	14
22414	SPOKE, SPM SPRINT SP 282MM BLK	14
20355	NIPPLE, EXT BLACK BRASS SQ HEAD	28
21988	DECAL, 27.5 TR367 WHITE	0.5
20007	DECAL, NOT INTENDED FOR RB USE	1
20008	DECAL, REGISTER WHEELS	1
20332	WHEEL RAP HANG TAG	1
20120	BOX, TW DBLE WHL RNLD WIDE29er	0.5
85513	W ACC KIT, MTN ASYM TL FRONT	1
3040	9 X 12 X 4MIL ZIP LOCK BAG	1
20333	REYNOLDS NEW PROD WEBSITE CARD	1
20904	VALVE STEM, AM 45MM LONG	1
85514	W ACC KIT, MTN ASYM TL REAR	1
3040	9 X 12 X 4MIL ZIP LOCK BAG	1
20333	REYNOLDS NEW PROD WEBSITE CARD	1
20904	VALVE STEM, AM 45MM LONG	1

FREEHUB OPTIONS

20783	O-RING, GW DB END CAPS
22099	SPACER, GW, RED 17.5*15*2.1 mm
22162	SPACER, GW REAR AXLE
22122	END CAP, GW DB FRNT 15MM TA
22128	END CAP, GW DB R 12/142 TA
22567	FREEHUB, GW TR3 XD 4 PAWL 3 BEARING
22569	FREEHUB, GW TR3 SPL 4 PAWL 3 BEARING
22572	FREEHUB, GW TR3 MS 4 PAWL 3 BEARING
22161	AXLE, GW FRONT TA
22169	AXLE, GW 142 DB REAR 15/12/125 CrMo
21439	AXLE, GW LITE STEEL 15/13/131 CRMO 148
21440	AXLE, GW LITE STEEL 15/13/140 CRMO 157
22163	SEAL, GW REAR HUB NDS

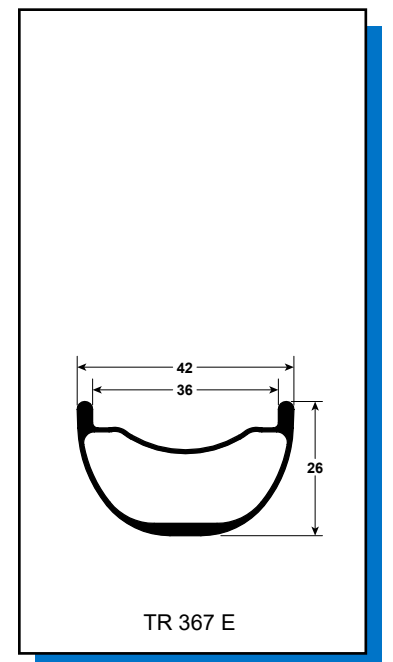


TR 367 S MOUNTAIN

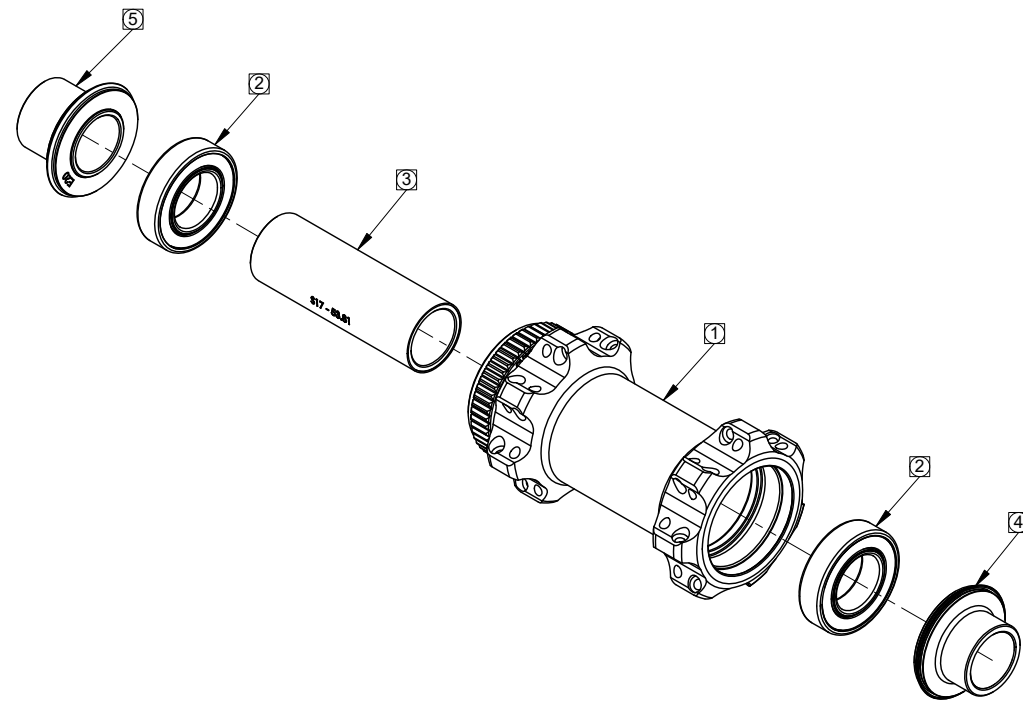
78726	WS, 27.5 TR367s BST SHIM 28/28	
78828	W, 27.5 TR367 BST FRNT 28H	1
81260	D RIM, 27.5 PLUS PAC 28H	1
20918	RIM TAPE, TL 22MM 5.5M INSTALED	1
22115	HUB, GW MTN TR3 FRNT 110/15 28	1
22413	SPOKE, SPM SPRINT SP 281MM BLK	28
20355	NIPPLE, EXT BLACK BRASS SQ HEAD	28
21988	DECAL, 27.5 TR367 WHITE	0.5
20007	DECAL, NOT INTENDED FOR RB USE	1
20008	DECAL, REGISTER WHEELS	1
20332	WHEEL RAP HANG TAG	1
20120	BOX, TW DBLE WHL RNLD WIDE29er	0.5
78829	W, 27.5 TR367 BST SHIM 28H	1
81260	D RIM, 27.5 PLUS PAC 28H	1
20918	RIM TAPE, TL 22MM 5.5M INSTALED	1
22118	HUB, GW MTN TR3 SHIM 148/12 28	1
22411	SPOKE, SPM SPRINT SP 279MM BLK	14
22414	SPOKE, SPM SPRINT SP 282MM BLK	14
20355	NIPPLE, EXT BLACK BRASS SQ HEAD	28
21988	DECAL, 27.5 TR367 WHITE	0.5
20007	DECAL, NOT INTENDED FOR RB USE	1
20008	DECAL, REGISTER WHEELS	1
20332	WHEEL RAP HANG TAG	1
20120	BOX, TW DBLE WHL RNLD WIDE29er	0.5
85513	W ACC KIT, MTN ASYM TL FRONT	1
3040	9 X 12 X 4MIL ZIP LOCK BAG	1
20333	REYNOLDS NEW PROD WEBSITE CARD	1
20904	VALVE STEM, AM 45MM LONG	1
85514	W ACC KIT, MTN ASYM TL REAR	1
3040	9 X 12 X 4MIL ZIP LOCK BAG	1
20333	REYNOLDS NEW PROD WEBSITE CARD	1
20904	VALVE STEM, AM 45MM LONG	1

FREEHUB OPTIONS

20783	O-RING, GW DB END CAPS
22099	SPACER, GW, RED 17.5*15*2.1 mm
22162	SPACER, GW REAR AXLE
22122	END CAP, GW DB FRNT 15MM TA
22128	END CAP, GW DB R 12/142 TA
22148	FREEHUB, GW MTN SHIM 6 PAWL
22151	FREEHUB, GW MTN XD 6 PAWL
22519	FREEHUB, GW TR6 MS 6 PAWL
22161	AXLE, GW FRONT TA
22169	AXLE, GW 142 DB REAR 15/12/125 CrMo
21439	AXLE, GW LITE STEEL 15/13/131 CRMO 148
21440	AXLE, GW LITE STEEL 15/13/140 CRMO 157
22163	SEAL, GW REAR HUB NDS

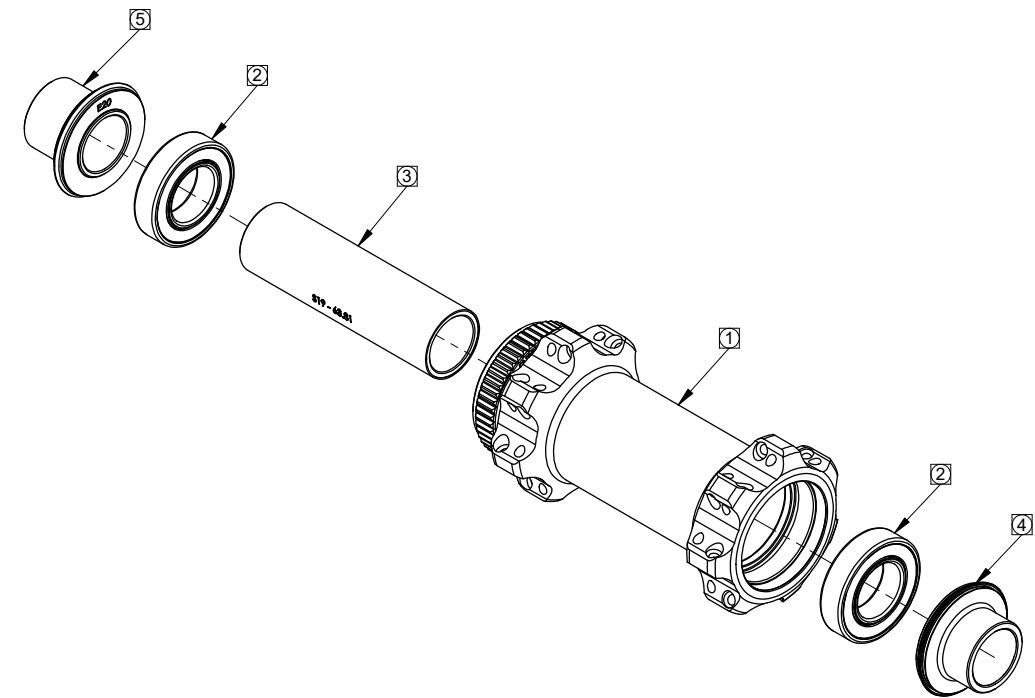


GW MTN CL FRNT 10015 28H



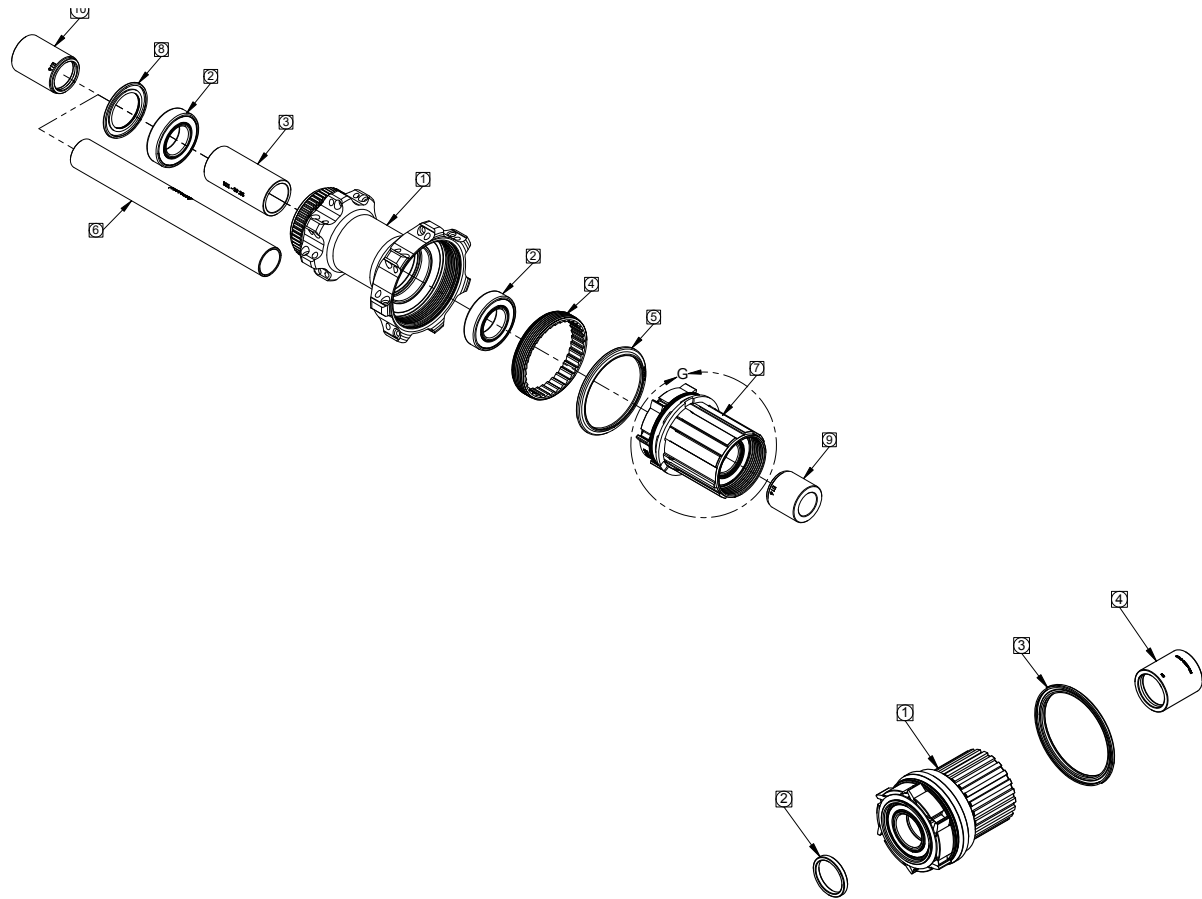
ITEM #	PART #	DESCRIPTION	QTY
1	22136	HUB, GW MTN CL FRNT 10015 28H	1
2	20156	BEARING, 6902, ENDURO	1
3	22161	AXLE, GW FRONT TA	1
4	22122	END CAP, GW DB FRNT 15MM TA	1
5	N/A	See #4	

GW MTN CL FRNT 11015 28H



ITEM #	PART #	DESCRIPTION	QTY
1	22137	HUB, GW MTN CL FRNT 11015 28H	1
2	20156	BEARING, 6902, ENDURO	1
3	22161	AXLE, GW FRONT TA	1
4	22122	END CAP, GW DB FRNT 15MM TA	1
5	N/A	See #4	

GW MTN CL SHIM 14212 28H

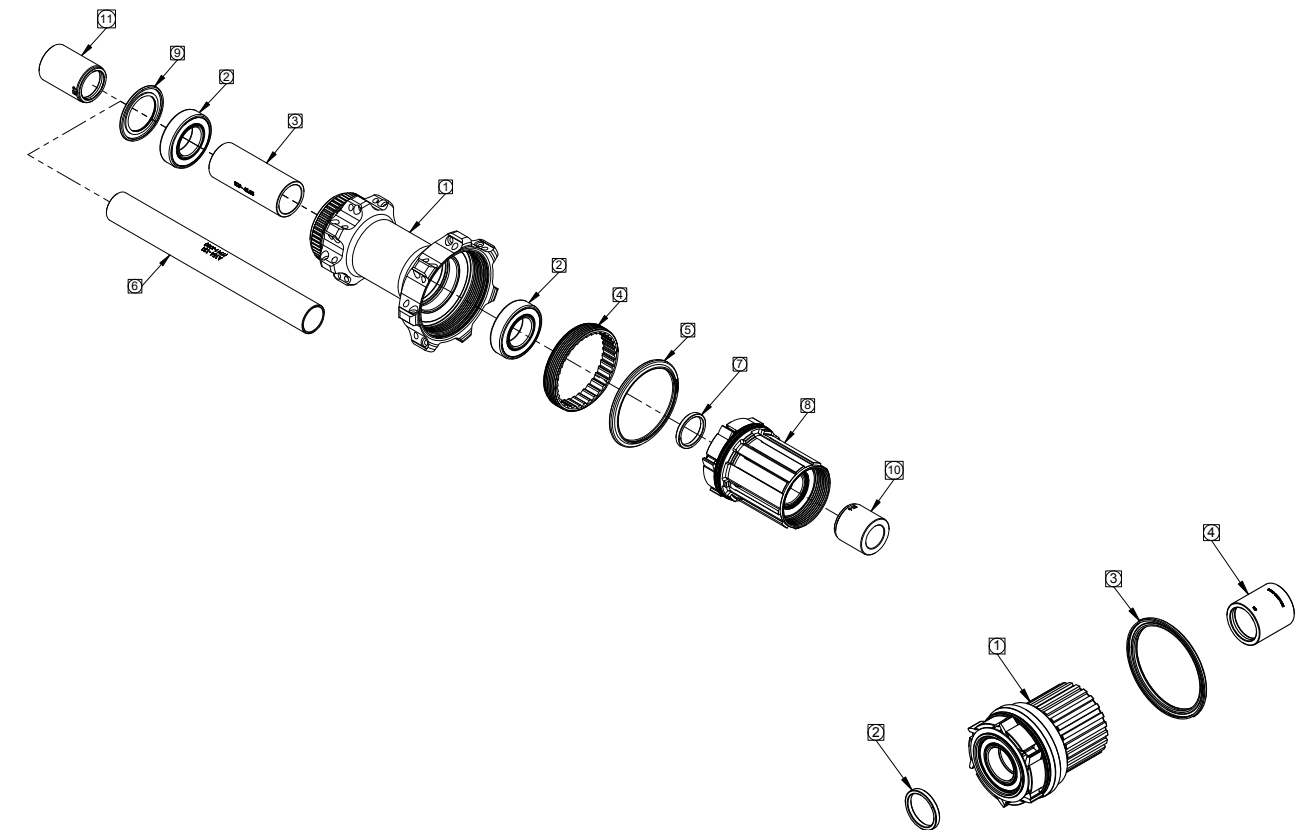


ITEM #	PART #	DESCRIPTION	QTY
1	22138	HUB, GW MTN CL SHIM 14212 28H	
2	20156	BEARING, 6902, ENDURO	2
3	22162	SPACER, GW REAR AXLE	1
4	N/A	RATCHET RING	
5	N/A	Seal Ring	1
6	22169	AXLE, CrMo GW DB REAR 15/12/125 135/142	1
7	22569	FREEHUB, GW TR3 SPL 4 PAWL 3 BEARING	1
8	N/A	Spacer	
9	22128	END CAP, GW DB R 12/142/148/157 TA	1
10	N/A	See 9	

ITEM #	PART #	DESCRIPTION	QTY
1	22148	FREEHUB, GW MTN SHIM 6 PAWL	1
	22151	FREEHUB, GW MTN XD 6 PAWL	1
	22573	FREEHUB, GW TR6 MS 6 PAWL	1
2	20378	BEARING, 15267 15*26*7L	3
3	N/A	BEARING SPACER	1
4	N/A	PAWL SPRING	
5	N/A	PAWL	
6	N/A	SPACER	
7	N/A	SPACER	
8	22099	SPACER, GW, RED 17.5*15*2.1 mm	1
9	N/A	FHB SEAL	

	22138	HUB, GW MTN CL SHIM 14212 28H	
	22139	HUB, GW MTN CL XD 14212 28H	

GW MTN CL SHIM 14812 28H

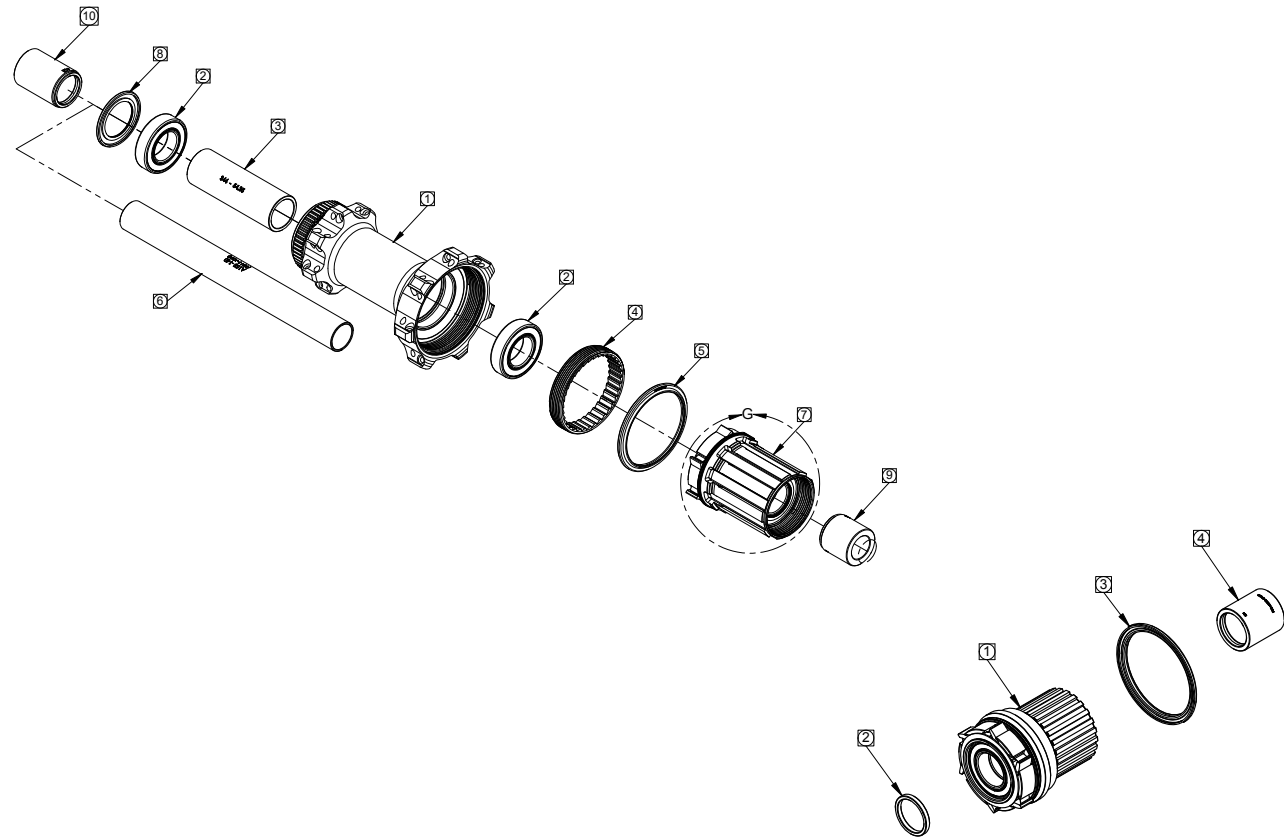


ITEM #	PART #	DESCRIPTION	QTY
1	22138	HUB, GW MTN CL SHIM 14212 28H	
2	20156	BEARING, 6902, ENDURO	2
3	22162	SPACER, GW REAR AXLE	1
4	N/A	RATCHET RING	
5	N/A	Seal Ring	1
6	22169	AXLE, CrMo GW DB REAR 15/12/125 135/142	1
7	22569	FREEHUB, GW TR3 SPL 4 PAWL 3 BEARING	1
8	N/A	Spacer	
9	22128	END CAP, GW DB R 12/142/148/157 TA	1
10	N/A	See 9	

ITEM #	PART #	DESCRIPTION	QTY
1	22148	FREEHUB, GW MTN SHIM 6 PAWL	1
	22151	FREEHUB, GW MTN XD 6 PAWL	1
	22573	FREEHUB, GW TR6 MS 6 PAWL	1
2	20378	BEARING, 15267 15*26*7L	3
3	N/A	BEARING SPACER	1
4	N/A	PAWL SPRING	
5	N/A	PAWL	
6	N/A	SPACER	
7	N/A	SPACER	
8	22099	SPACER, GW, RED 17.5*15*2.1 mm	1
9	N/A	FHB SEAL	

	22140	HUB, GW MTN CL SHIM 14812 28H	
	22141	HUB, GW MTN CL XD 14812 28H	
	22125	HUB, GW TR6 CL MS 14812 28H	

GW TR6 SHIM 12X157 28H

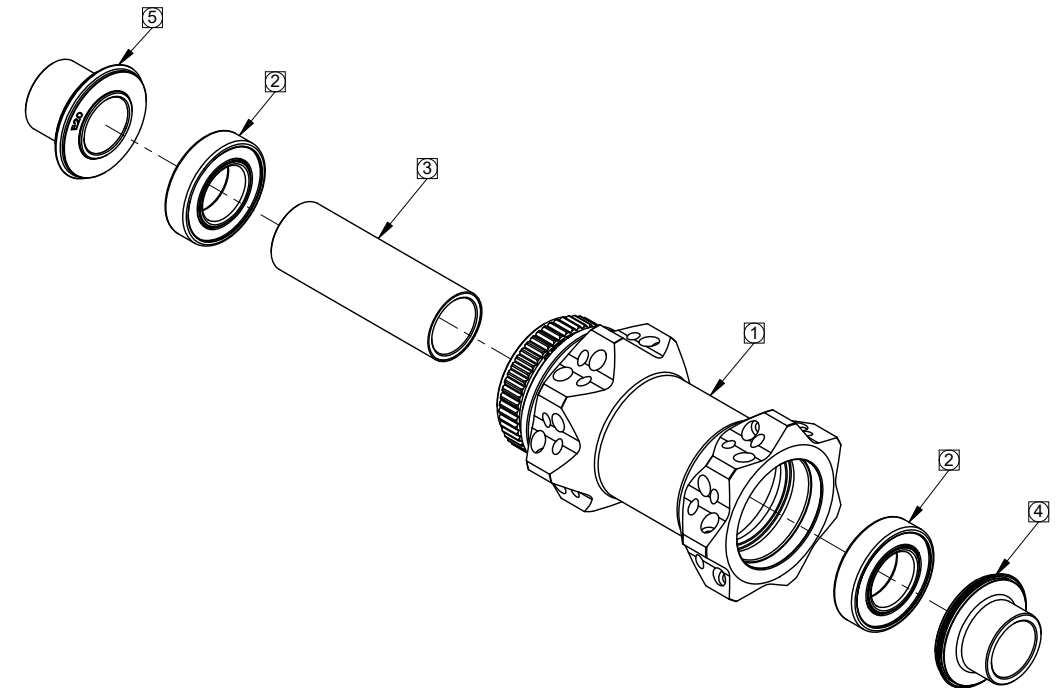


ITEM #	PART #	DESCRIPTION	QTY
1	22131	HUB, GW TR6 SHIM 12X157 28H	
2	20156	BEARING, 6902, ENDURO	2
3	22162	SPACER, GW REAR AXLE	1
4	N/A	RATCHET RING	
5	N/A	Seal Ring	1
6	21440	AXLE, GW LITE STEEL 15/13/140 CRMO 157	1
7	22569	FREEHUB, GW TR3 SPL 4 PAWL 3 BEARING	1
8	N/A	Spacer	
9	22128	END CAP, GW DB R 12/142/148/157 TA	1
10	N/A	See 9	

ITEM #	PART #	DESCRIPTION	QTY
1	22148	FREEHUB, GW MTN SHIM 6 PAWL	1
	22151	FREEHUB, GW MTN XD 6 PAWL	1
	22573	FREEHUB, GW TR6 MS 6 PAWL	1
2	20378	BEARING, 15267 15*26*7L	3
3	N/A	BEARING SPACER	1
4	N/A	PAWL SPRING	
5	N/A	PAWL	
6	N/A	SPACER	
7	N/A	SPACER	
8	22099	SPACER, GW, RED 17.5*15*2.1 mm	1
9	N/A	FHB SEAL	

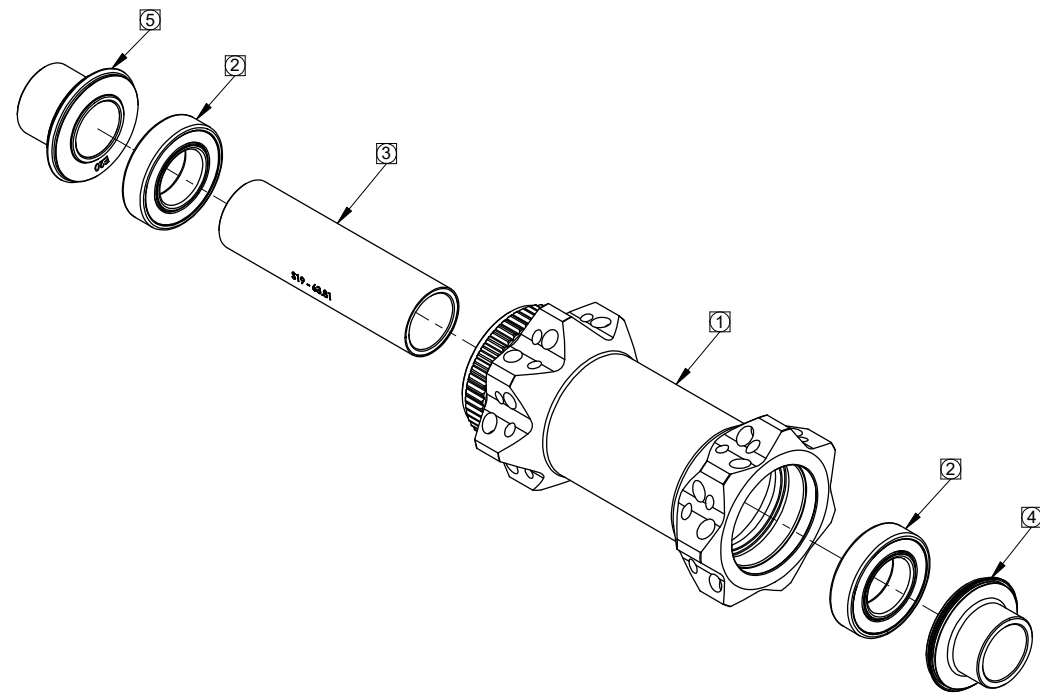
	22131	HUB, GW TR6 SHIM 12X157 28H	
	22154	HUB, GW TR6 XD 12X157 28H	
	22127	HUB, GW TR6 MS 15712 28H	

GW MTN TR3 FRNT 10015 28H



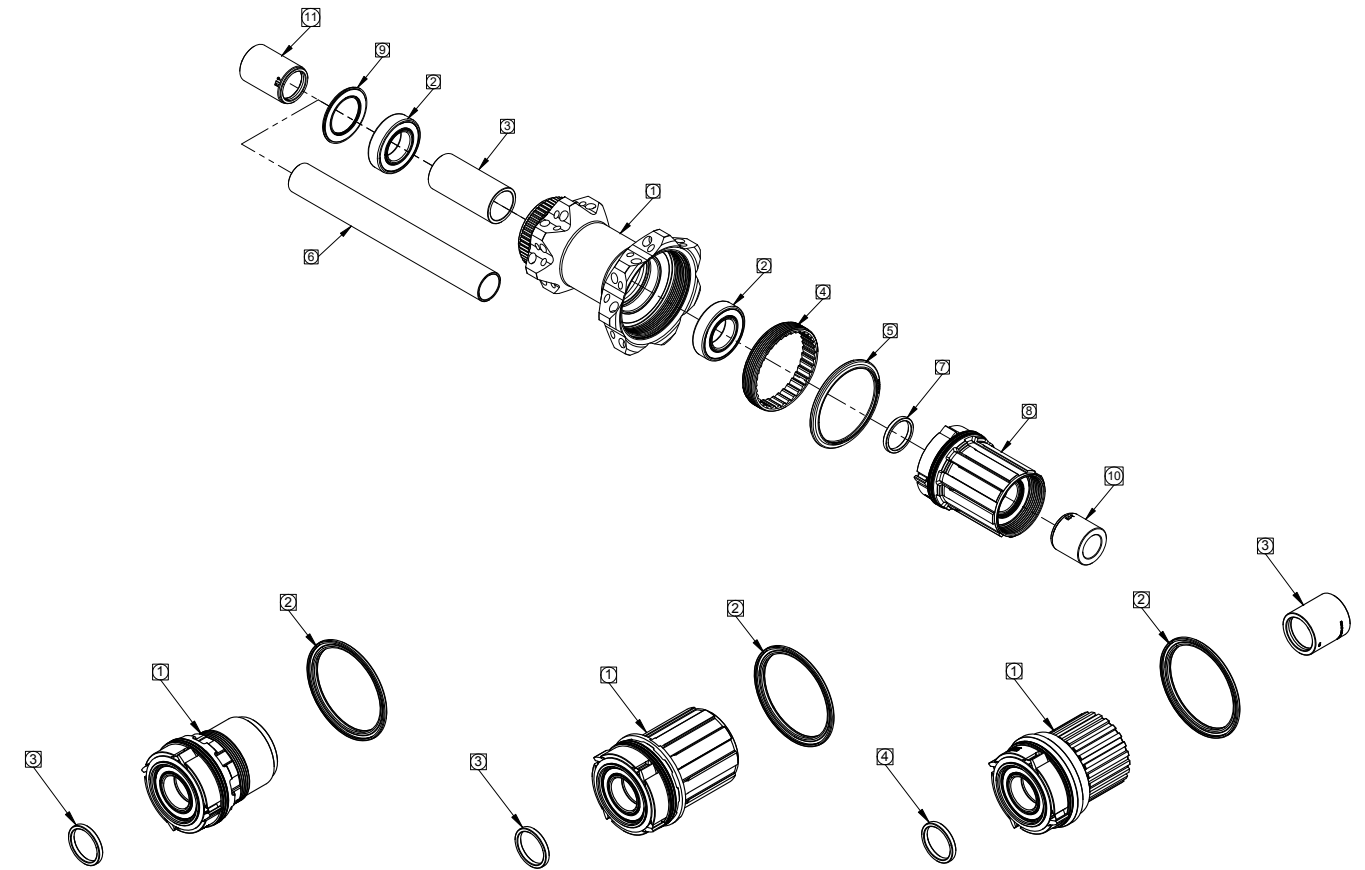
ITEM #	PART #	DESCRIPTION	QTY
1	22114	HUB, GW MTN TR3 FRNT 10015 28H	1
2	20156	BEARING, 6902, ENDURO	1
3	22161	AXLE, GW FRONT TA	1
4	22122	END CAP, GW DB FRNT 15MM TA	1
5	N/A	See #4	

GW MTN TR3 FRNT 11015 28H



ITEM #	PART #	DESCRIPTION	QTY
1	22115	HUB, GW MTN TR3 FRNT 11015 28H	1
2	20156	BEARING, 6902, ENDURO	1
3	22161	AXLE, GW FRONT TA	1
4	22122	END CAP, GW DB FRNT 15MM TA	1
5	N/A	See #4	

GW MTN TR3 SHIM 14212 28H

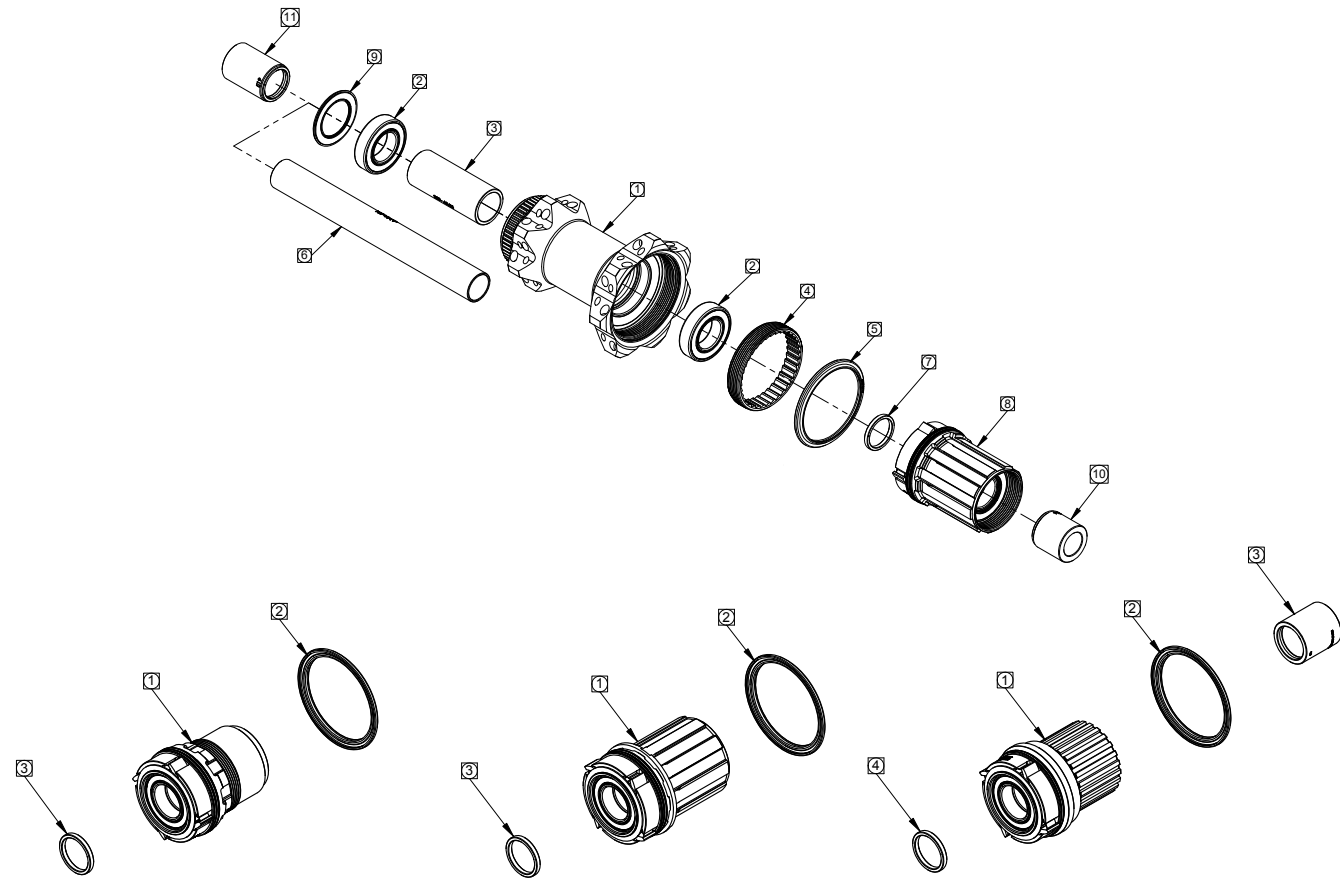


ITEM #	PART #	DESCRIPTION	QTY
1	22116	HUB, GW MTN TR3 SHIM 14212 28H	
2	20156	BEARING, 6902, ENDURO	2
3	22162	SPACER, GW REAR AXLE	1
4	N/A	RATCHET RING	
5	N/A	Seal Ring	1
6	22169	AXLE, CrMo GW DB REAR 15/12/125 135/142	1
7	2099	SPACER, GW, RED 17.5*15*2.1 mm	1
8	22569	FREEHUB, GW TR3 SPL 4 PAWL 3 BEARING	
9	N/A	Spacer	1
10	22128	END CAP, GW DB R 12/142/148/157 TA	
11	N/A	See #10	

ITEM #	PART #	DESCRIPTION	QTY
1	22569	FREEHUB, GW TR3 SPL 4 PAWL 3 BEARING	1
	22570	FREEHUB, GW TR3 XDR 4 PAWL 3 BEARING	1
	22568	FREEHUB, GW TR3 CAMPY 4 PAWL 3 BEARING	1
	423-39079	FREEHUB, GW CAMPY N3W 11-13SPD 4 PAWL 3 BEARING	1
2	N/A	SEAL RING	

	22117	HUB, GW MTN TR3 XD 14212 28H	
	22139	HUB, GW MTN CL XD 14212 28H	

GW MTN TR3 SHIM 14812 28H

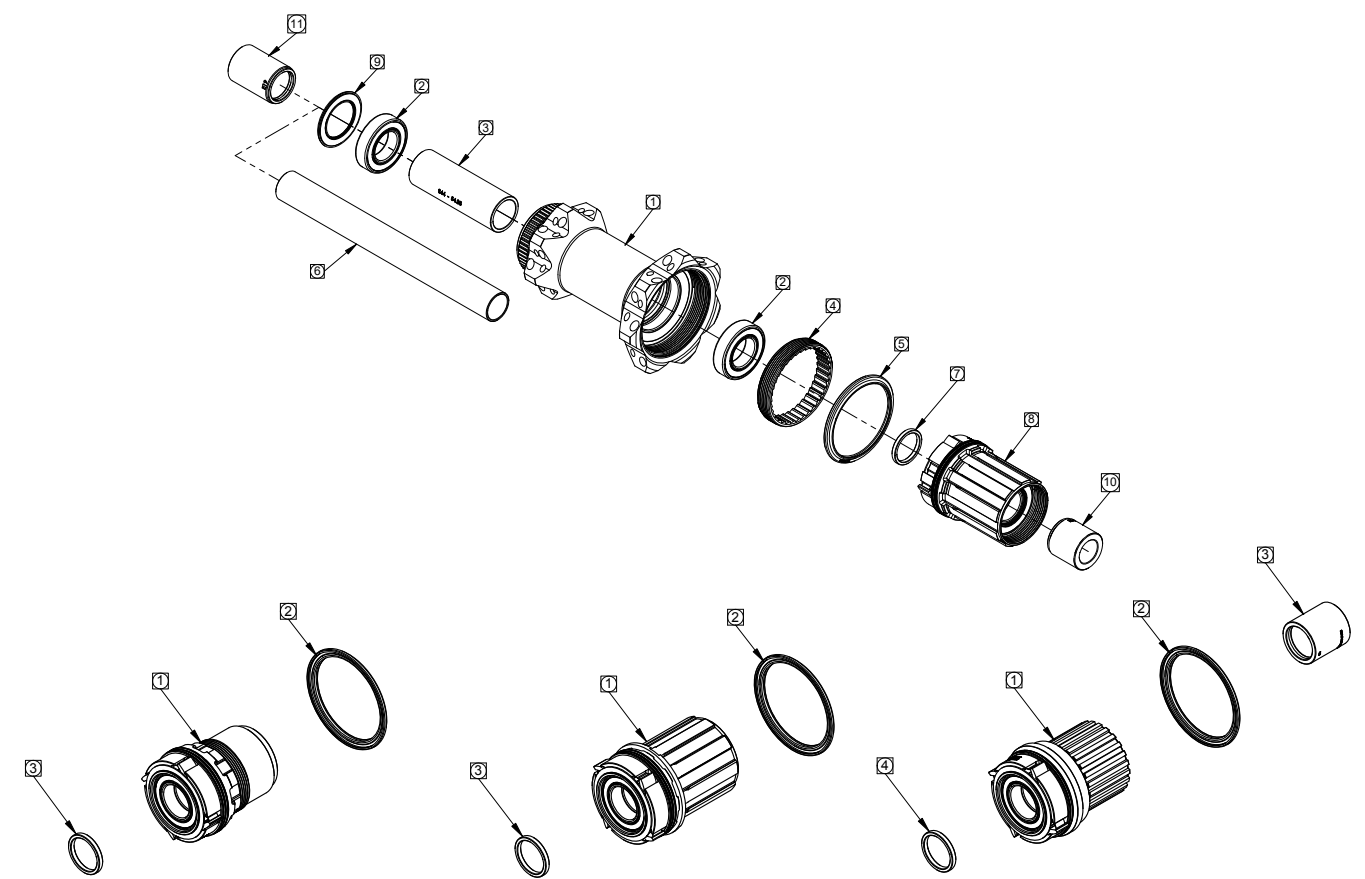


ITEM #	PART #	DESCRIPTION	QTY
1	22118	HUB, GW MTN TR3 SHIM 14812 28H	
2	20156	BEARING, 6902, ENDURO	2
3	22162	SPACER, GW REAR AXLE	1
4	N/A	RATCHET RING	
5	N/A	Seal Ring	1
6	21439	AXLE, GW LITE STEEL 15/13/131 CRMO 148	1
7	2099	SPACER, GW, RED 17.5*15*2.1 mm	1
8	22569	FREEHUB, GW TR3 SPL 4 PAWL 3 BEARING	
9	N/A	Spacer	1
10	22128	END CAP, GW DB R 12/142/148/157 TA	
11	N/A	See #10	

ITEM #	PART #	DESCRIPTION	QTY
1	22569	FREEHUB, GW TR3 SPL 4 PAWL 3 BEARING	1
	22570	FREEHUB, GW TR3 XDR 4 PAWL 3 BEARING	1
	22568	FREEHUB, GW TR3 CAMPY 4 PAWL 3 BEARING	1
	423-39079	FREEHUB, GW CAMPY N3W 11-13SPD 4 PAWL 3 BEARING	1
2	N/A	SEAL RING	

	22117	HUB, GW MTN TR3 XD 14212 28H	
	22139	HUB, GW MTN CL XD 14212 28H	

GW TR3 SHIM 12X157 28H

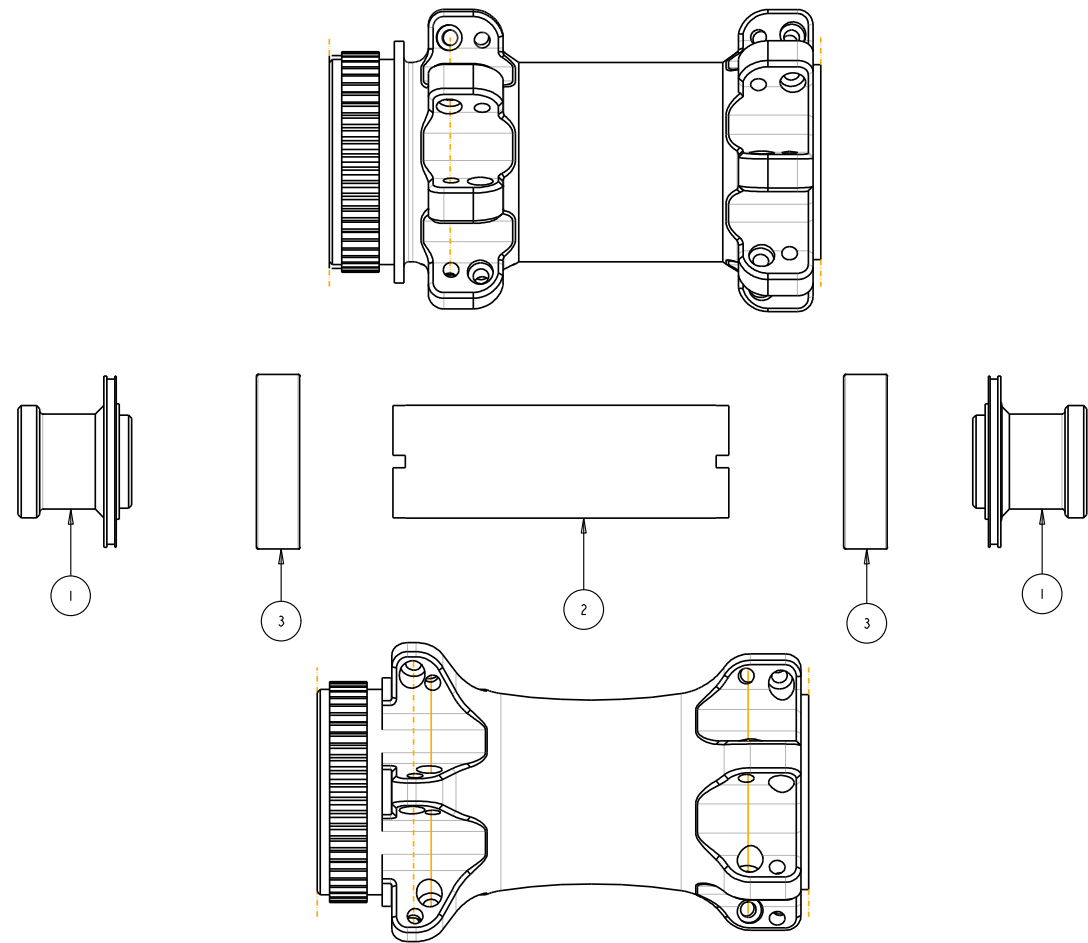


ITEM #	PART #	DESCRIPTION	QTY
1	22156	HUB, GW TR3 SHIM 12X157 28H	
2	20156	BEARING, 6902, ENDURO	2
3	22162	SPACER, GW REAR AXLE	1
4	N/A	RATCHET RING	
5	N/A	Seal Ring	1
6	21440	AXLE, GW LITE STEEL 15/13/140 CRMO 157	1
7	22569	FREEHUB, GW TR3 SPL 4 PAWL 3 BEARING	1
8	N/A	Spacer	
9	22128	END CAP, GW DB R 12/142/148/157 TA	1
10	N/A	See 9	

ITEM #	PART #	DESCRIPTION	QTY
1	22569	FREEHUB, GW TR3 SPL 4 PAWL 3 BEARING	1
	22570	FREEHUB, GW TR3 XDR 4 PAWL 3 BEARING	1
	22568	FREEHUB, GW TR3 CAMPY 4 PAWL 3 BEARING	1
2	423-39079	FREEHUB, GW CAMPY N3W 11-13SPD 4 PAWL 3 BEARING	1
	N/A	SEAL RING	

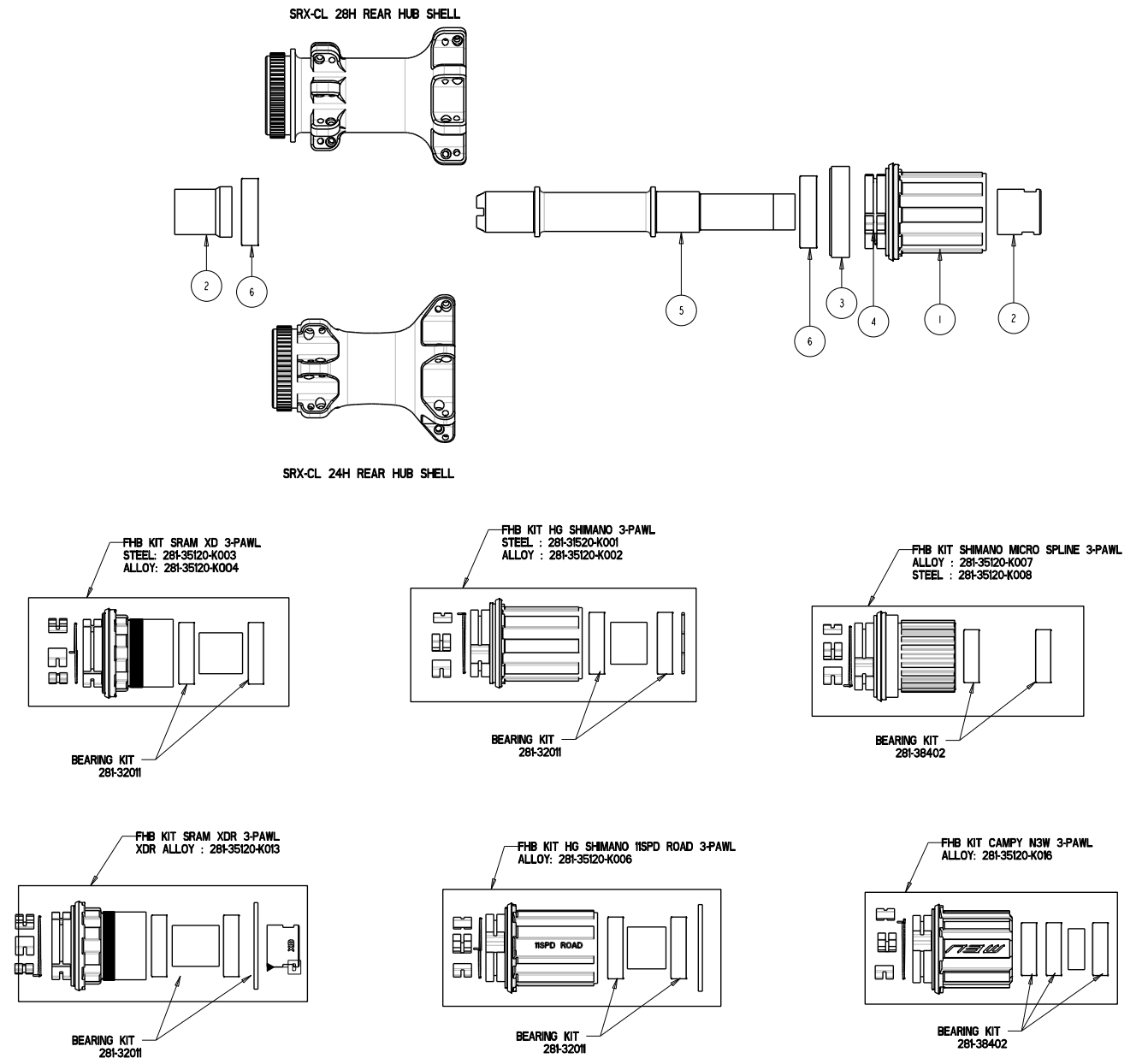
	22117	HUB, GW MTN TR3 XD 14212 28H	
	22139	HUB, GW MTN CL XD 14212 28H	

SRX-CL FRONT



ITEM #	PART #	DESCRIPTION	QTY
1	281-31519-K019	SRX CL Front QR End Cap Kit	1
	281-31519-K018	SRX CL Front 12mm End Cap Kit	1
	281-31519-K017	SRX CL Front 15mm End Cap Kit	1
2	281-32015-K005	SRX CL Front Hub Spacer Tube Kit - 100mm	1
	281-32015-K004	SRX CL Front Hub Spacer Tube Kit - 110mm	1
3	281-32011	SRC/SRX 6902 Bearing(28x15x7) Kit Qty 2	1

SRX-CL REAR

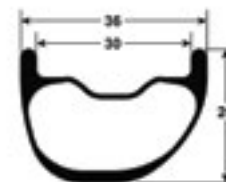


ITEM #	PART #	DESCRIPTION	QTY
1	281-31520-K001	SRC/SRX FH Body Kit HG Steel 3 Pawl	1
	281-31520-K002	SRC/SRX FH Body Kit HG Alloy 3 Pawl	1
	281-31520-K003	SRC/SRX FH Body Kit XD Steel 3 Pawl	1
	281-31520-K004	SRC/SRX FH Body Kit XD Alloy 3 Pawl	1
	281-31520-K007	SRC/SRX FH Body Kit MS Alloy 3 Pawl	1
	281-31520-K008	SRC/SRX FH Body Kit MS Steel 3 Pawl	1
2	281-31519-K014	SRX CL Rear 12mm HG End Cap Kit	1
	281-31519-K015	SRX CL Rear 12mm XD End Cap Kit	1
	281-31519-K016	SRX CL Rear 12mm MS End Cap Kit	1

3	281-32014	SRC/SRX Ratchet Ring Kit	1
4	281-31620	SRC/SRX Pawl/Spring Kit 3 Pawl	1
5	281-32013-K011	SRX CL Rear Axle Kit 148 Alloy	1
	281-32013-K012	SRX CL Rear Axle Kit 150/157 Alloy	1
	281-32013-K013	SRX CL Rear Axle Kit 148 Steel	1
	281-32013-K014	SRX CL Rear Axle Kit 150/157 Steel	1
6	281-38692	SRX CL Rear Bearing 6903/63803-D2 Kit	1
7	281-32011	SRC/SRX 6902 Bearing (28x15x7) Kit Qty 2	1
8	281-38402	SRC/SRX 63802 Bearing (24x15x7) Kit Qty 3	1

TR 307 E MOUNTAIN

78901	WS, 27.5 TR307e 148 SHIM 32/32	
78903	W, 27.5 TR307e 110 FRNT 32H	1
58904	D RIM, 27.5 WD PAC ASYM 32H 5°	1
21886	RIM TAPE, TL 30MM 5.5M INSTALED	1
22170	HUB, GW MTN TRe FRNT 110/15 32	1
22458	SPOKE, SPM E-LITE JB 270MM BLK	32
20355	NIPPLE, EXT BLACK BRASS SQ HEAD	32
21990	DECAL, 27.5 TR307e GRAY	1
20007	DECAL, NOT INTENDED FOR RB USE	1
20008	DECAL, REGISTER WHEELS	1
20332	WHEEL RAP HANG TAG	1
20120	BOX, TW DBLE WHL RNLD WIDE29er	0.5
78904	W, 27.5 TR307e 148 SHIM 32H	1
58904	D RIM, 27.5 WD PAC ASYM 32H 5°	1
21886	RIM TAPE, TL 30MM 5.5M INSTALED	1
22172	HUB, GW MTN TRe SHIM 148/12 32	1
22458	SPOKE, SPM E-LITE JB 270MM BL	16
22459	SPOKE, SPM E-LITE JB 271MM BL	16
20355	NIPPLE, EXT BLACK BRASS SQ HEAD	32
21990	DECAL, 27.5 TR307e GRAY	1
20007	DECAL, NOT INTENDED FOR RB USE	1
20008	DECAL, REGISTER WHEELS	1
20332	WHEEL RAP HANG TAG	1
20120	BOX, TW DBLE WHL RNLD WIDE29er	0.5
85513	W ACC KIT, MTN ASYM TL FRONT	1
3040	9 X 12 X 4MIL ZIP LOCK BAG	1
20333	REYNOLDS NEW PROD WEBSITE CARD	1
20904	VALVE STEM, AM 45MM LONG	1
85514	W ACC KIT, MTN ASYM TL REAR	1
3040	9 X 12 X 4MIL ZIP LOCK BAG	1
20333	REYNOLDS NEW PROD WEBSITE CARD	1
20904	VALVE STEM, AM 45MM LONG	1



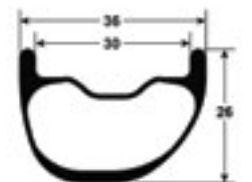
TR 309 E

FREEHUB OPTIONS

20783	O-RING, GW DB END CAPS
22099	SPACER, GW, RED 17.5*15*2.1 mm
22122	END CAP, GW DB FRNT 15MM TA
22169	AXLE, CrMo GW DB REAR 15/12/13
22176	AXLE GW 157SBST 15/12/140 CrMo
22152	FREEHUB, GW TRe SHIM 6 PAWL
22153	FREEHUB, GW TRe XD 6 PAWL
22520	FREEHUB, GW TRe MS 6 PAWL
22162	SPACER, GW REAR AXLE
22163	SEAL, GW REAR HUB NDS

TR 307 E MOUNTAIN BOOST + 157

78906	WS, 27.5 TR307e 157 SHIM 32/32	
78903	W, 27.5 TR307e 110 FRNT 32H	1.00
57904	D RIM, 27.5 WD PAC ASYM 32H 5°	1.00
20355	NIPPLE, EXT BLACK BRASS SQ HEAD	32.00
21886	RIM TAPE, TL 30MM 5.5M INSTALED	1.00
21990	DECAL, 27.5 TR307e GRAY	1.00
22170	HUB, GW MTN TRe FRNT 110/15 32	1.00
22458	SPOKE, SPM E-LITE JB 270MM BLK	32.00
85513	W ACC KIT, MTN ASYM TL FRONT	1.00
78909	W, 27.5 TR307e 157 SHIM 32H	1.00
57904	D RIM, 27.5 WD PAC ASYM 32H 5°	1.00
20355	NIPPLE, EXT BLACK BRASS SQ HEAD	32.00
21886	RIM TAPE, TL 30MM 5.5M INSTALED	1.00
21990	DECAL, 27.5 TR307e GRAY	1.00
22174	HUB, GW MTN TRe SHIM 157/12 32	1.00
22458	SPOKE, SPM E-LITE JB 270MM BLK	32.00
85514	W ACC KIT, MTN ASYM TL REAR	1.00
78907	WS, 27.5 TR307e 157 XD 32/32	
78903	W, 27.5 TR307e 110 FRNT 32H	1.00
78910	W, 27.5 TR307e 157 XD 32H	1.00
57904	D RIM, 27.5 WD PAC ASYM 32H 5°	1.00
20355	NIPPLE, EXT BLACK BRASS SQ HEAD	32.00
21886	RIM TAPE, TL 30MM 5.5M INSTALED	1.00
21990	DECAL, 27.5 TR307e GRAY	1.00
22175	HUB, GW MTN TRe XD 157/12 32	1.00
22458	SPOKE, SPM E-LITE JB 270MM BLK	32.00
85514	W ACC KIT, MTN ASYM TL REAR	1.00



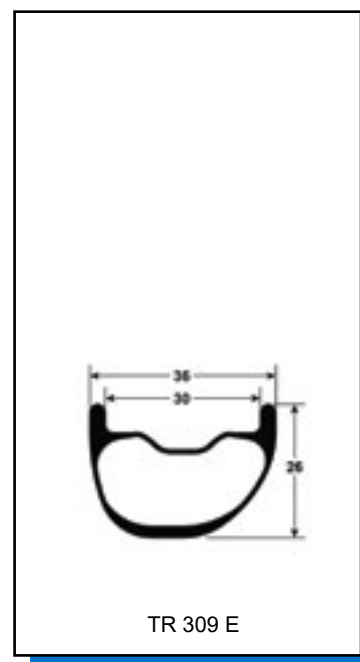
TR 309 E

FREEHUB OPTIONS

20783	O-RING, GW DB END CAPS
22099	SPACER, GW, RED 17.5*15*2.1 mm
22122	END CAP, GW DB FRNT 15MM TA
22169	AXLE, CrMo GW DB REAR 15/12/13
22176	AXLE GW 157SBST 15/12/140 CrMo
22152	FREEHUB, GW TRe SHIM 6 PAWL
22153	FREEHUB, GW TRe XD 6 PAWL
22520	FREEHUB, GW TRe MS 6 PAWL
22162	SPACER, GW REAR AXLE
22163	SEAL, GW REAR HUB NDS

TR 309 E MOUNTAIN

78951	WS, 29 TR309e 148 SHIM 32/32	
78953	W, 29 TR309e 110 FRNT 32H	1
58924	D RIM, 29 WD PAC ASYM 32H 5°	1
21886	RIM TAPE, TL 30MM 5.5M INSTALED	1
22170	HUB, GW MTN TRe FRNT 110/15 32	1
22473	SPOKE, SPM E-LITE JB 290MM BL	32
20355	NIPPLE, EXT BLACK BRASS SQ HEAD	32
21991	DECAL, 29 TR309e GRAY	1
20007	DECAL, NOT INTENDED FOR RB USE	1
20008	DECAL, REGISTER WHEELS	1
20332	WHEEL RAP HANG TAG	1
20120	BOX, TW DBLE WHL RNLD WIDE29er	0.5
78954	W, 29 TR309e 148 SHIM 32H	1
58924	D RIM, 29 WD PAC ASYM 32H 5°	1
21886	RIM TAPE, TL 30MM 5.5M INSTALED	1
22172	HUB, GW MTN TRe SHIM 148/12 32	1
22473	SPOKE, SPM E-LITE JB 290MM BL	32
20355	NIPPLE, EXT BLACK BRASS SQ HEAD	32
21991	DECAL, 29 TR309e GRAY	1
20007	DECAL, NOT INTENDED FOR RB USE	1
20008	DECAL, REGISTER WHEELS	1
20332	WHEEL RAP HANG TAG	1
20120	BOX, TW DBLE WHL RNLD WIDE29er	0.5
85513	W ACC KIT, MTN ASYM TL FRONT	1
3040	9 X 12 X 4MIL ZIP LOCK BAG	1
20333	REYNOLDS NEW PROD WEBSITE CARD	1
20904	VALVE STEM, AM 45MM LONG	1
85514	W ACC KIT, MTN ASYM TL REAR	1
3040	9 X 12 X 4MIL ZIP LOCK BAG	1
20333	REYNOLDS NEW PROD WEBSITE CARD	1
20904	VALVE STEM, AM 45MM LONG	1

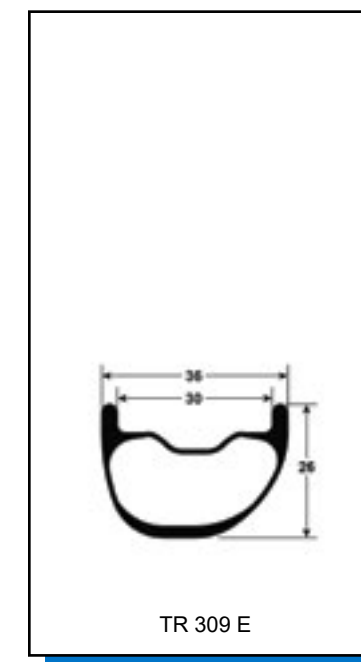


FREEHUB OPTIONS

20783	O-RING, GW DB END CAPS
22099	SPACER, GW, RED 17.5*15*2.1 mm
22122	END CAP, GW DB FRNT 15MM TA
22169	AXLE, CrMo GW DB REAR 15/12/13
22176	AXLE GW 157SBST 15/12/140 CrMo
22152	FREEHUB, GW TRe SHIM 6 PAWL
22153	FREEHUB, GW TRe XD 6 PAWL
22520	FREEHUB, GW TRe MS 6 PAWL
22162	SPACER, GW REAR AXLE
22163	SEAL, GW REAR HUB NDS

TR 309 E MOUNTAIN BOOST + 157

78956	WS, 29 TR309e 157 SHIM 32/32	
78953	W, 29 TR309e 110 FRNT 32H	1.00
57924	D RIM, 29 WD PAC ASYM 32H 5°	1.00
20355	NIPPLE, EXT BLACK BRASS SQ HEAD	32.00
21886	RIM TAPE, TL 30MM 5.5M INSTALED	1.00
21991	DECAL, 29 TR309e GRAY	1.00
22170	HUB, GW MTN TRe FRNT 110/15 32	1.00
22473	SPOKE, SPM E-LITE JB 290MM BLK	32.00
85513	W ACC KIT, MTN ASYM TL FRONT	1.00
78959	W, 29 TR309e 157 SHIM 32H	1.00
57924	D RIM, 29 WD PAC ASYM 32H 5°	1.00
20355	NIPPLE, EXT BLACK BRASS SQ HEAD	32.00
21886	RIM TAPE, TL 30MM 5.5M INSTALED	1.00
21991	DECAL, 29 TR309e GRAY	1.00
22174	HUB, GW MTN TRe SHIM 157/12 32	1.00
22473	SPOKE, SPM E-LITE JB 290MM BLK	16.00
22474	SPOKE, SPM E-LITE JB 291MM BLK	16.00
85514	W ACC KIT, MTN ASYM TL REAR	1.00
78957	WS, 29 TR309e 157 XD 32/32	
78953	W, 29 TR309e 110 FRNT 32H	1.00
78960	W, 29 TR309e 157 XD 32H	1.00
57924	D RIM, 29 WD PAC ASYM 32H 5°	1.00
20355	NIPPLE, EXT BLACK BRASS SQ HEAD	32.00
21886	RIM TAPE, TL 30MM 5.5M INSTALED	1.00
21991	DECAL, 29 TR309e GRAY	1.00
22175	HUB, GW MTN TRe XD 157/12 32	1.00
22473	SPOKE, SPM E-LITE JB 290MM BLK	16.00
22474	SPOKE, SPM E-LITE JB 291MM BLK	16.00
85514	W ACC KIT, MTN ASYM TL REAR	1.00

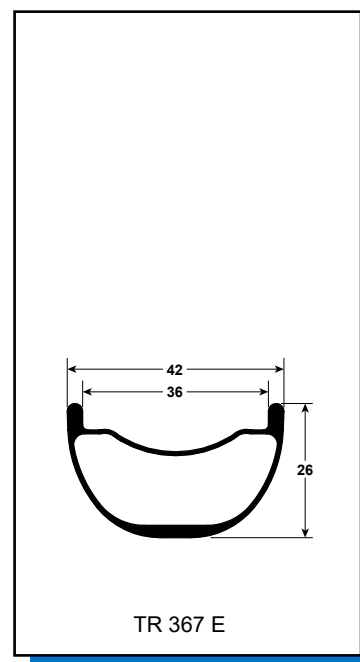


FREEHUB OPTIONS

20783	O-RING, GW DB END CAPS
22099	SPACER, GW, RED 17.5*15*2.1 mm
22122	END CAP, GW DB FRNT 15MM TA
22169	AXLE, CrMo GW DB REAR 15/12/13
22176	AXLE GW 157SBST 15/12/140 CrMo
22152	FREEHUB, GW TRe SHIM 6 PAWL
22153	FREEHUB, GW TRe XD 6 PAWL
22520	FREEHUB, GW TRe MS 6 PAWL
22162	SPACER, GW REAR AXLE
22163	SEAL, GW REAR HUB NDS

TR 367 E MOUNTAIN

78921	WS, 27.5 TR367e 148 SHIM 32/32	
78923	W, 27.5 TR367e 110 FRNT 32H	1
81280	D RIM, 27.5 PLUS PAC 32H	1
20918	RIM TAPE, TL 22MM 5.5M INSTALED	1
22170	HUB, GW MTN TRe FRNT 110/15 32	1
22458	SPOKE, SPM E-LITE JB 270MM BL	32
20355	NIPPLE, EXT BLACK BRASS SQ HEAD	32
21992	DECAL, 27.5 TR367e GRAY	1
20007	DECAL, NOT INTENDED FOR RB USE	1
20008	DECAL, REGISTER WHEELS	1
20332	WHEEL RAP HANG TAG	1
20120	BOX, TW DBLE WHL RNLD WIDE29er	0.5
78924	W, 27.5 TR367e 148 SHIM 32H	1
81280	D RIM, 27.5 PLUS PAC 32H	1
20918	RIM TAPE, TL 22MM 5.5M INSTALED	1
22172	HUB, GW MTN TRe SHIM 148/12 32	1
22456	SPOKE, SPM E-LITE JB 268MM BL	16
22458	SPOKE, SPM E-LITE JB 270MM BL	16
20355	NIPPLE, EXT BLACK BRASS SQ HEAD	32
21992	DECAL, 27.5 TR367e GRAY	1
20007	DECAL, NOT INTENDED FOR RB USE	1
20008	DECAL, REGISTER WHEELS	1
20332	WHEEL RAP HANG TAG	1
20120	BOX, TW DBLE WHL RNLD WIDE29er	0.5
85513	W ACC KIT, MTN ASYM TL FRONT	1
3040	9 X 12 X 4MIL ZIP LOCK BAG	1
20333	REYNOLDS NEW PROD WEBSITE CARD	1
20904	VALVE STEM, AM 45MM LONG	1
85514	W ACC KIT, MTN ASYM TL REAR	1
3040	9 X 12 X 4MIL ZIP LOCK BAG	1
20333	REYNOLDS NEW PROD WEBSITE CARD	1
20904	VALVE STEM, AM 45MM LONG	1

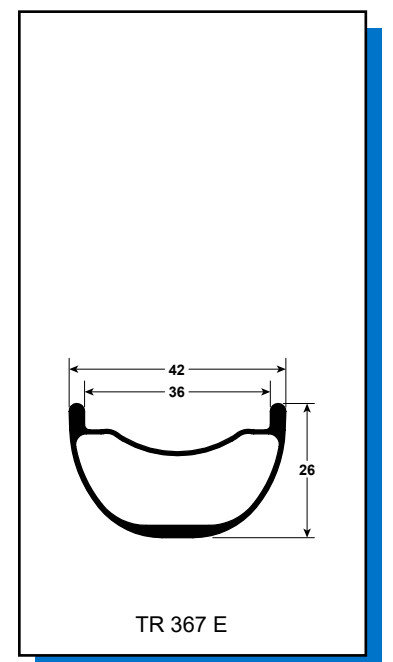


FREEHUB OPTIONS

20783	O-RING, GW DB END CAPS
22099	SPACER, GW, RED 17.5*15*2.1 mm
22122	END CAP, GW DB FRNT 15MM TA
22169	AXLE, CrMo GW DB REAR 15/12/13
22176	AXLE GW 157SBST 15/12/140 CrMo
22152	FREEHUB, GW TRe SHIM 6 PAWL
22153	FREEHUB, GW TRe XD 6 PAWL
22520	FREEHUB, GW TRe MS 6 PAWL
22162	SPACER, GW REAR AXLE
22163	SEAL, GW REAR HUB NDS

TR 367 E MOUNTAIN BOOST + 157

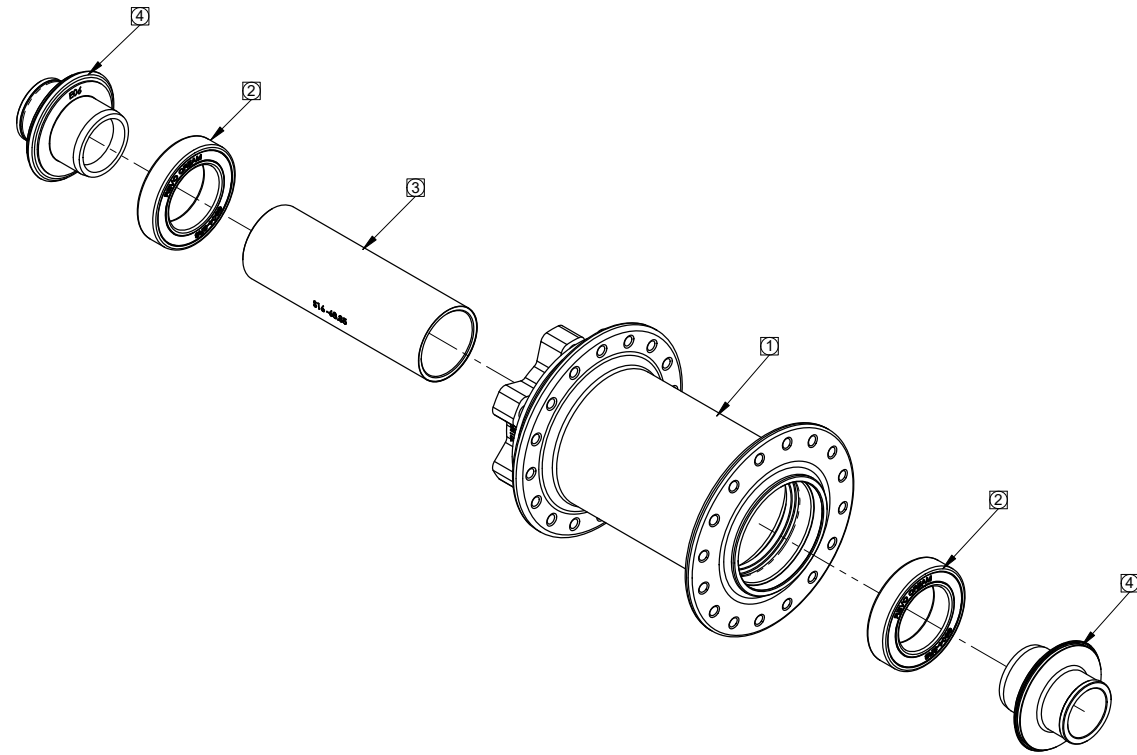
78926	WS, 27.5 TR367e 157 SHIM 32/32	
78923	W, 27.5 TR367e 110 FRNT 32H	1.00
81280	D RIM, 27.5 PLUS PAC 32H	1.00
20355	NIPPLE, EXT BLACK BRASS SQ HEAD	32.00
20918	RIM TAPE, TL 22MM 5.5M INSTALED	1.00
21992	DECAL, 27.5 TR367e GRAY	1.00
22170	HUB, GW MTN TRe FRNT 110/15 32	1.00
22458	SPOKE, SPM E-LITE JB 270MM BLK	32.00
85513	W ACC KIT, MTN ASYM TL FRONT	1.00
78929	W, 27.5 TR367e 157 SHIM 32H	1.00
81280	D RIM, 27.5 PLUS PAC 32H	1.00
20355	NIPPLE, EXT BLACK BRASS SQ HEAD	32.00
20918	RIM TAPE, TL 22MM 5.5M INSTALED	1.00
21992	DECAL, 27.5 TR367e GRAY	1.00
22174	HUB, GW MTN TRe SHIM 157/12 32	1.00
22457	SPOKE, SPM E-LITE JB 269MM BLK	16.00
22458	SPOKE, SPM E-LITE JB 270MM BLK	16.00
85514	W ACC KIT, MTN ASYM TL REAR	1.00
78927	WS, 27.5 TR367e 157 XD 32/32	
78923	W, 27.5 TR367e 110 FRNT 32H	1.00
78930	W, 27.5 TR367e 157 XD 32H	1.00
81280	D RIM, 27.5 PLUS PAC 32H	1.00
20355	NIPPLE, EXT BLACK BRASS SQ HEAD	32.00
20918	RIM TAPE, TL 22MM 5.5M INSTALED	1.00
21992	DECAL, 27.5 TR367e GRAY	1.00
22175	HUB, GW MTN TRe XD 157/12 32	1.00
22457	SPOKE, SPM E-LITE JB 269MM BLK	16.00
22458	SPOKE, SPM E-LITE JB 270MM BLK	16.00
85514	W ACC KIT, MTN ASYM TL REAR	1.00



FREEHUB OPTIONS

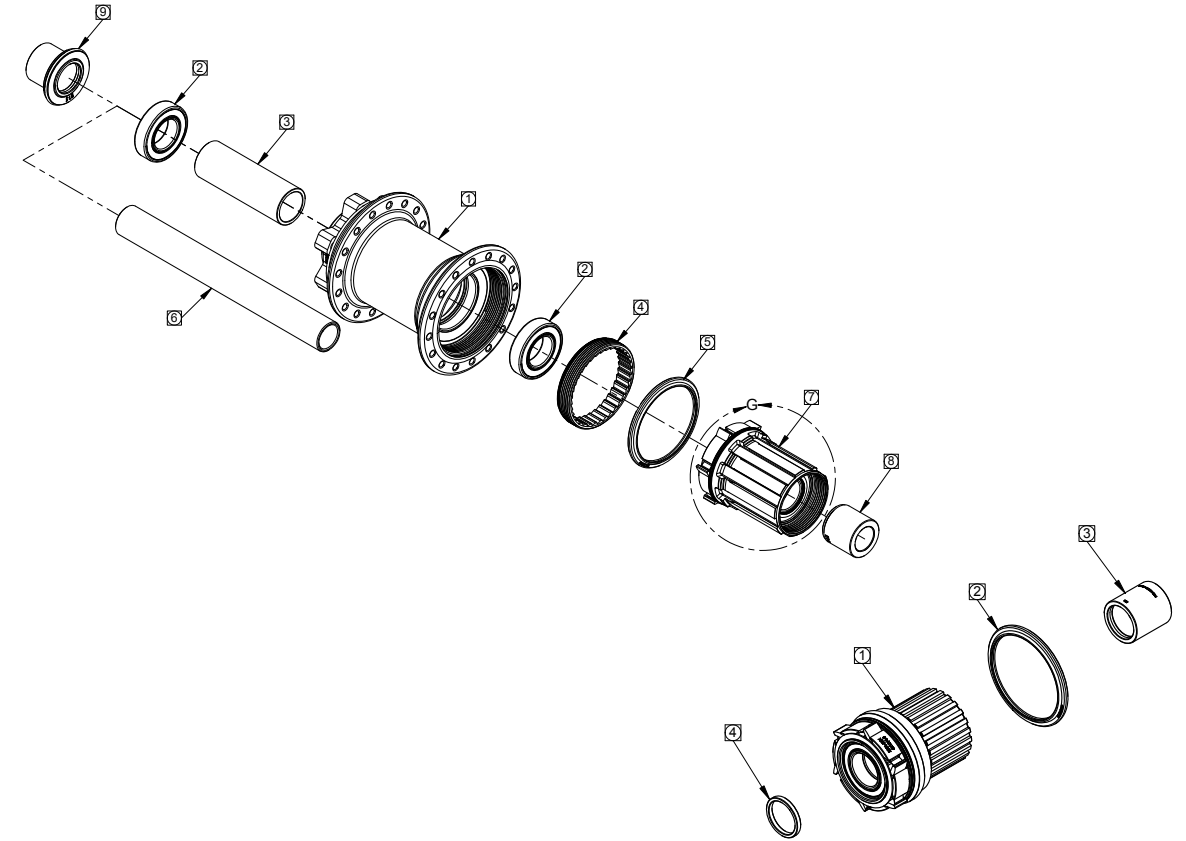
20783	O-RING, GW DB END CAPS
22099	SPACER, GW, RED 17.5*15*2.1 mm
22122	END CAP, GW DB FRNT 15MM TA
22169	AXLE, CrMo GW DB REAR 15/12/13
22176	AXLE GW 157SBST 15/12/140 CrMo
22152	FREEHUB, GW TRe SHIM 6 PAWL
22153	FREEHUB, GW TRe XD 6 PAWL
22520	FREEHUB, GW TRe MS 6 PAWL
22162	SPACER, GW REAR AXLE
22163	SEAL, GW REAR HUB NDS

GW MTN TRE FRNT 11015 32H



ITEM #	PART #	DESCRIPTION	QTY
1	22114	HUB, GW MTN TR3 FRNT 10015 28H	1
2	20156	BEARING, 6902, ENDURO	1
3	22161	AXLE, GW FRONT TA	1
4	22122	END CAP, GW DB FRNT 15MM TA	1
5	N/A	See #4	

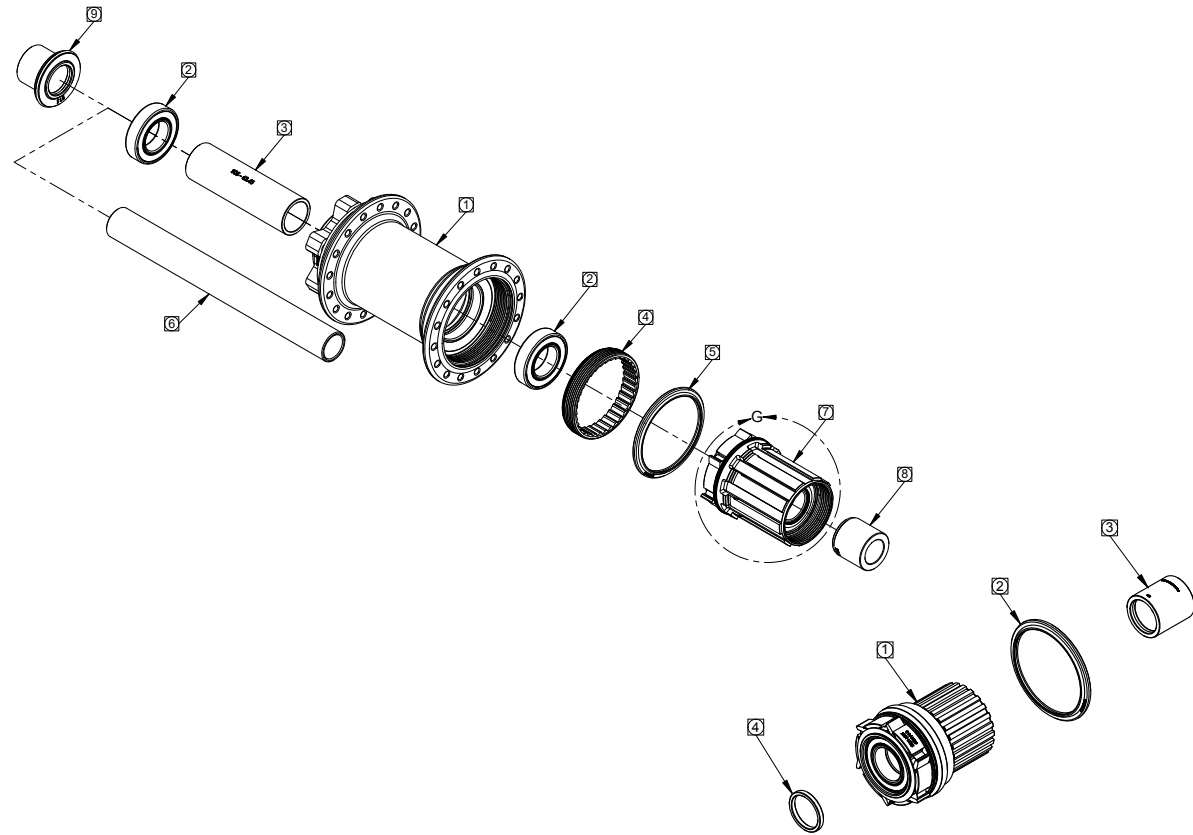
GW MTN TRE SHIM 14812 32H



ITEM #	PART #	DESCRIPTION	QTY
1	22172	HUB, GW MTN TRe SHIM 14812 32H	
2	20156	BEARING, 6902, ENDURO	2
3	22162	SPACER, GW REAR AXLE	1
4	N/A	RATCHET RING	
5	N/A	Seal Ring	1
6	22169	AXLE, CrMo GW DB REAR 15/12/125 135/142	1
7	2099	SPACER, GW, RED 17.5*15*2.1 mm	1
8	22569	FREEHUB, GW TR3 SPL 4 PAWL 3 BEARING	
9	N/A	Spacer	1
10	22128	END CAP, GW DB R 12/142/148/157 TA	
11	N/A	See #10	

ITEM #	PART #	DESCRIPTION	QTY
1	22148	FREEHUB, GW MTN SHIM 6 PAWL	1
	22151	FREEHUB, GW MTN XD 6 PAWL	1
	22573	FREEHUB, GW TR6 MS 6 PAWL	1
2	20156	BEARING, 6902, ENDURO	3
3	20377	BEARING, 15267-2RS 15*26*7 LOGO:REVO CRE	1
4	N/A	BEARING	
5	N/A	SPACER	
6	N/A	PAWL SPRING	
7	N/A	PAWL	
8	N/A	SPACER	
9	N/A	SPACER	
10	N/A	FHB SEAL	
	22173	HUB, GW MTN TRe XD 14812 32H	
	22557	HUB, GW MTN TRe MS 12148 32H	

GW MTN TRE SHIM 15712 32H



ITEM #	PART #	DESCRIPTION	QTY
1	22118	HUB, GW MTN TR3 SHIM 14812 28H	
2	20156	BEARING, 6902, ENDURO	2
3	22162	SPACER, GW REAR AXLE	1
4	N/A	RATCHET RING	
5	N/A	Seal Ring	1
6	21439	AXLE, GW LITE STEEL 15/13/131 CRMO 148	1
7	2099	SPACER, GW, RED 17.5*15*2.1 mm	1
8	22569	FREEHUB, GW TR3 SPL 4 PAWL 3 BEARING	
9	N/A	Spacer	1
10	22128	END CAP, GW DB R 12/142/148/157 TA	
11	N/A	See #10	

ITEM #	PART #	DESCRIPTION	QTY
1	22148	FREEHUB, GW MTN SHIM 6 PAWL	1
	22151	FREEHUB, GW MTN XD 6 PAWL	1
	22573	FREEHUB, GW TR6 MS 6 PAWL	1
2	20156	BEARING, 6902, ENDURO	3
3	20377	BEARING, 15267-2RS 15*26*7 LOGO:REVO CRE	1
4	N/A	BEARING	
5	N/A	SPACER	
6	N/A	PAWL SPRING	
7	N/A	PAWL	
8	N/A	SPACER	
9	N/A	SPACER	
10	N/A	FHB SEAL	
	22175	HUB GW MTN TRe XD 15712 32H	
	22558	HUB, GW MTN TRe MS 15712 32H	

WARNING: The information contained herein is proprietary and confidential to Reynolds Cycling and Reynolds Cycling affiliates. This document is not intended for public distribution or disclosure. This document may be referenced and reproduced for and by Reynolds Cycling and Reynolds Cycling affiliates only.



REYNOLDS

REYNOLDSCYCLING.COM